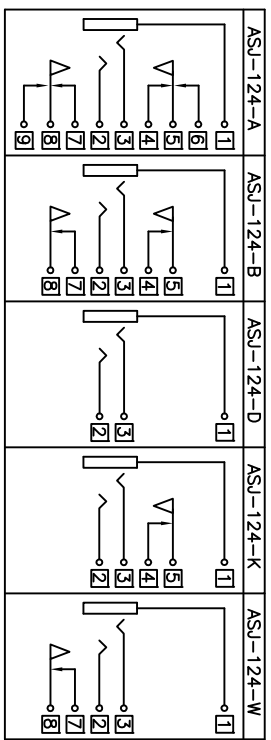
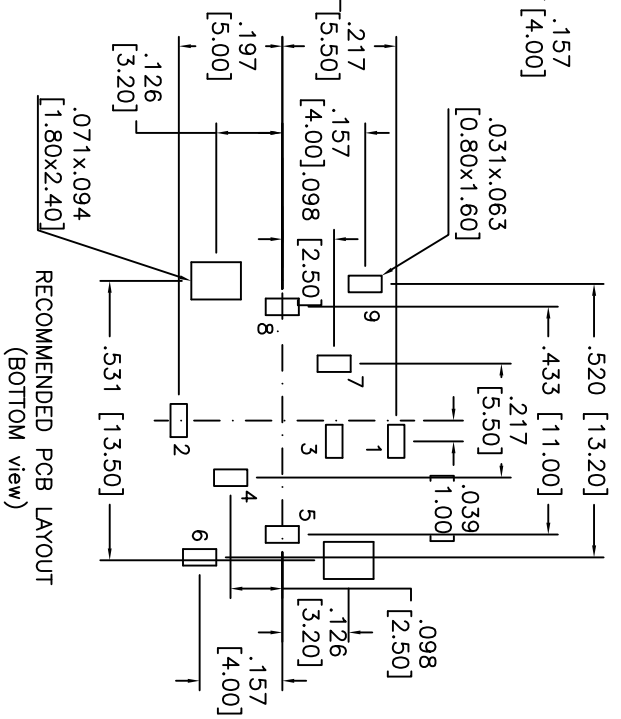
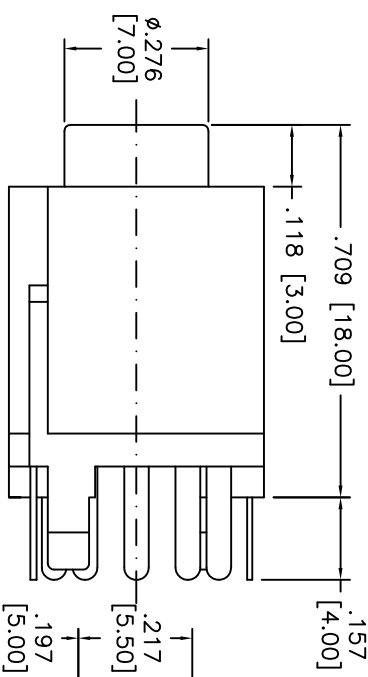
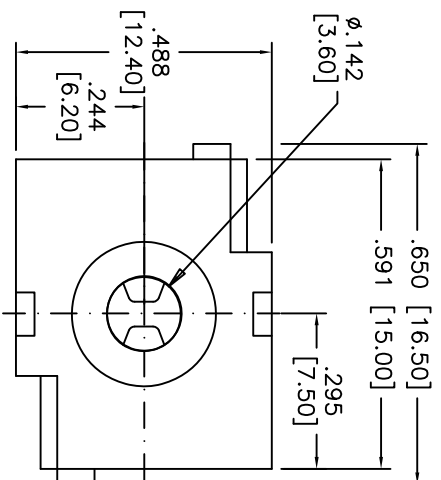


Rev	AWO #	Description	Date	Appr
-		RELEASED	4/26/10	

APPROVED: _____
 DATE: _____ TITLE: _____



SPECIFICATIONS:

Material:
 Insulator: PBT, rated UL 94V-0
 Insulator color: Black
 Contacts: Phosphor Bronze, Matte Tin plated.
Electrical:
 Operating voltage: 30 VDC max.
 Current rating: 0.5 Amp max.
 Contact resistance: 50 mohms max.
 Insulation resistance: 100 Mohms min.
 Dielectric withstanding voltage: 500 VAC for 1 minute
Temperature Rating:
 Operating temperature: -25°C to +85°C
Environmental:
 Lead free, RoHS compliant.
 Recommended soldering temp: 235°C for 5 sec.



ADAM TECH

909 Railway Avenue, Union, NJ 07083
 Phone: 908-687-5000 Fax: 908-687-5710

STEREO PHONE JACK, 3.5mm

UNLESS OTHERWISE SPECIFIED ALL DIMENSIONS ARE INCHES [MM]		TITLE	
TOLERANCES: EXCEPT AS NOTED	INCHES	±.10	±.10
HOLES	ØXX	±.015	±.015
APPROVALS	DATE	DRAWN	
APPROVED	DATE	CHECKED	
		APPROVED	
		SIZE	PART NO.
		X	ASJ-124-X
		REF: S00029C	SCALE: NTS
			SHEET 1 OF 1