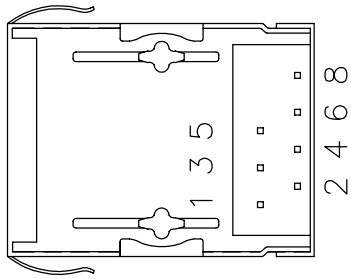
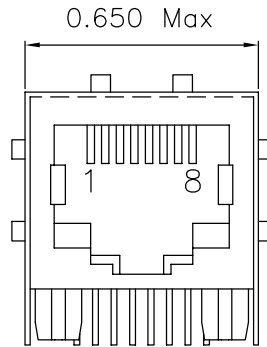


PRODUCT NUMBER
SEE SHEET 3

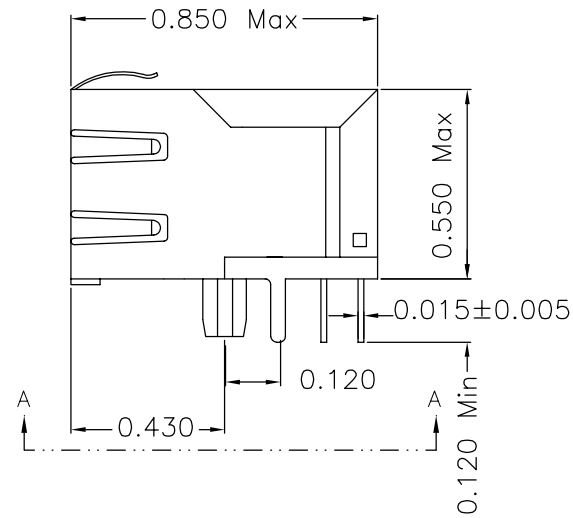
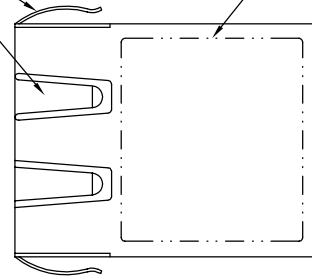


VIEW A-A



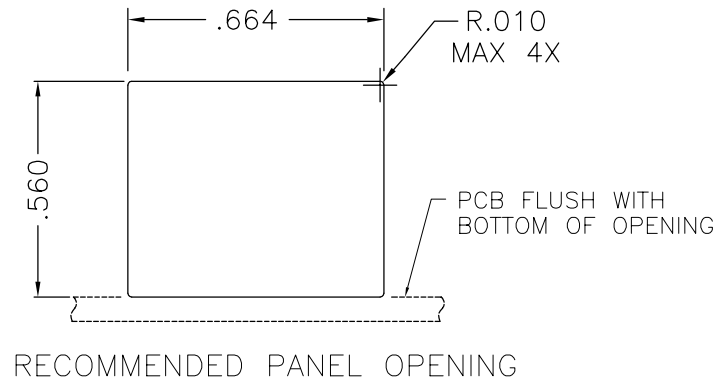
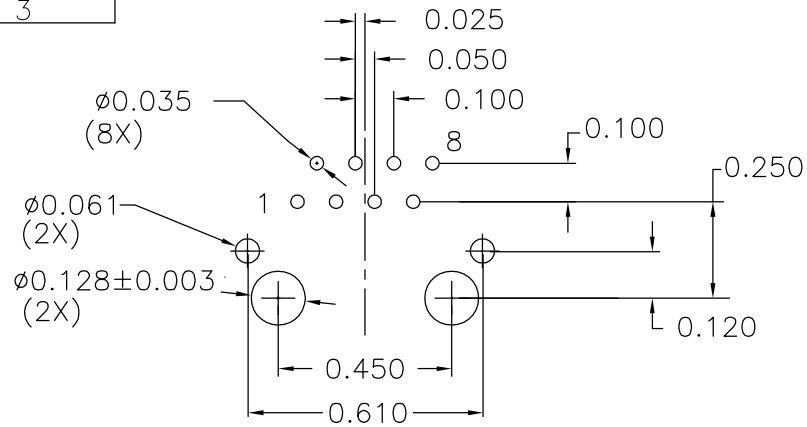
OPTIONAL CHASSIS
GROUND SPRINGS

PART NUMBER AND
DATE CODE LABEL



mat'l. code		surface ASME Y14.5 ✓		tolerance ASME Y14.5		projection ⊕		product family MODJACK	
ltr	ec'n no	dr	date	tolerances unless otherwise specified		INCH		title NETJACK, SINGLE PORT ASSEMBLY	
A	V03-1254	TAB	11/24/03	angles	line fit	scale 1:1		dwg no 10019267	
B	V04-0131	DAI	02/09/04	0° ± 2'	xxx +.010	FCJ		sheet 1 of 6 size A4	
C	V04-0175	DAI	02/23/04	dr	L.POTTEIGER	11/8/02		type CUSTOMER Drawing	
D	V04-0553	DAI	05/27/04	enr	J.KONTOS	11/8/02			
E	V06-0570	DAI	2006-07-20	chr	J.KONTOS	11/8/02			
				appd	J.KONTOS	11/8/02			
sheet index	revision sheet	E	E	E	E	E	E		
		1	2	3	4	5	6		

PRODUCT NUMBER
SEE SHEET 3



Mounting Pattern:
(COMP SIDE)

NOTES :

- RECOMMENDED PCB THICKNESS 0.062".
- HOUSING MATERIAL: HIGH TEMP. THERMOPLASTIC, COLOR BLACK, UL94V-0.
- CONTACT:
MATERIAL: COPPER ALLOY
MATING AREA PLATING: GOLD OVER NICKEL
SOLDER AREA PLATING: TIN OVER NICKEL
- SHIELD:
MATERIAL: COPPER ALLOY
PLATING: NICKEL
GROUND TABS PLATING: TIN
- IF LEAD FREE PART NUMBER, THE HOUSING WILL WITHSTAND EXPOSURE TO 260° PEAK TEMPERATURE FOR 10 SECONDS IN A WAVE SOLDER APPLICATION WITH A 1.6mm MIN. THICK CIRCUIT BOARD.
- PACKAGING OF LEAD FREE PRODUCTS MEETS LABELING AND PACKAGING SPECIFICATION GS-14-920.
- LEAD FREE PRODUCTS MEET EUROPEAN UNION DIRECTIVES AND OTHER COUNTRY REGULATIONS AS DESCRIBED IN GS-22-008.

mat'l. code		surface ASME Y14.5 ✓		tolerance ASME Y14.5		projection ⊕		product family MODJACK				
ltr	ecn no	dr	date	tolerances unless otherwise specified				title NETJACK, SINGLE PORT ASSEMBLY				
E				angles	fin	INCH		scale 1:1				
				0° ±2'		XXX ±.010						
		dr	L.POTTEIGER	11/8/02	FCJ				dwg no		sheet 2 of 6	size
		enr	J.KONTOS	11/8/02					10019267		A4	
		chr	J.KONTOS	11/8/02					CUSTOMER Drawing			
		appd	J.KONTOS	11/8/02								
sheet index	revision sheet											



PRODUCT NO.

10019267-XX00X LF

LEAD FREE
 BLANK = NO
 LF = YES

OPTIONAL CHASSIS
 GROUND SPRINGS
 0 = WITH
 1 = WITHOUT

ELECTRICAL
 CIRCUIT
 01 = SEE PAGE 4
 02 = SEE PAGE 5
 04 = SEE PAGE 6

A

A

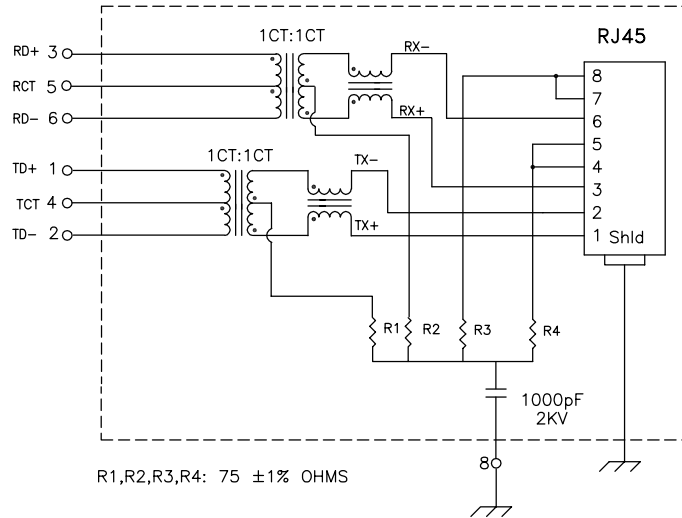
B

B

mat'l. code		surface ASME Y14.5 ✓		tolerance ASME Y14.5		projection 		product family MODJACK	
ltr	ec'n no	dr	date	tolerances unless otherwise specified				title NETJACK, SINGLE PORT ASSEMBLY	
E				angles	line fit	scale 1/1		dwg no 10019267	
				0° ±2'	xxx*.010			sheet 3 of 6 size A4	
		dr	L.POTTEIGER	11/8/02				type CUSTOMER Drawing	
		enr	J.KONTOS	11/8/02					
		chr	J.KONTOS	11/8/02					
		appd	J.KONTOS	11/8/02					
sheet index	revision sheet								

PRODUCT NUMBER
SEE SHEET 3

Schematic: for P/N 10019267-0100X OR -0100XLF



R1,R2,R3,R4: 75 ±1% OHMS

Electrical Specifications: @25°C

Isolation Voltage: 1500 Vrms (INPUT to OUTPUT)
 UTP SIDE OCL: 350uH Min @100KHz 100mV 8mADC
 Rise Time (10-90%): 2.5ns Typical
 Insertion Loss (100KHz-100MHz): -1.1dB Maximum
 Insertion Loss (100MHz-125MHz): -1.5dB Maximum
 Return Loss: -20dB Min. @30MHz
 -12dB TYP. @80MHz

Crosstalk:

100KHz-60MHz -40dB Typical
 60MHz-100MHz -38dB Typical

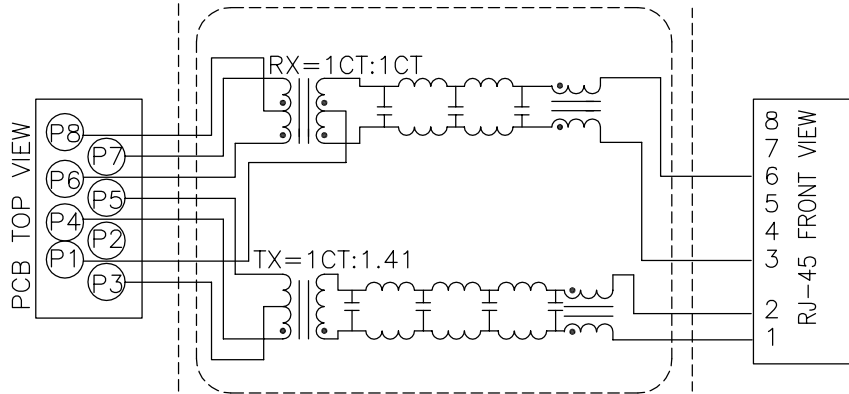
Common Mode to Differential Mode Rejection:

100KHz-60MHz -45dB Typ (Tx) / -40dB Typ (Rx)
 60MHz-100MHz -40dB Typ (Tx) / -35dB Typ (Rx)

mat'l. code		surface ASME Y14.5 ✓		tolerance ASME Y14.5		projection ⊕-△		product family MODJACK	
ltr	ecr no	dr	date	tolerances unless otherwise specified					
E				angles	time	INCH		title NETJACK, SINGLE PORT ASSEMBLY	
				0° ±2'	xxx*.010	scale		dwg no 10019267	
		dr	L.POTTEIGER	11/8/02	FCI		sheet 4 of 6		size A4
		enr	J.KONTOS	11/8/02			type CUSTOMER Drawing		
		chr	J.KONTOS	11/8/02					
		appd	J.KONTOS	11/8/02					
sheet index	revision sheet								

PRODUCT NUMBER
SEE SHEET 3

Schematic: for P/N 10019267-0200X OR -0200XLF



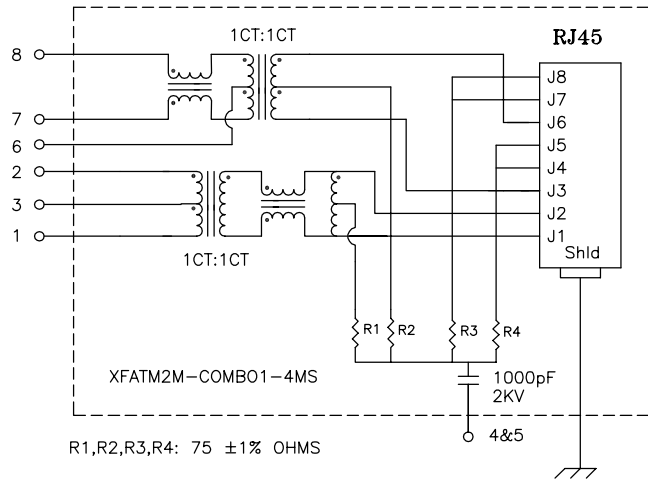
Electrical Specifications: @25°C

- ISOLATION: 1500 Vrms
- INSERTION LOSS (1-10MHz-10MHz): -1dB MAXIMUM
- ATTENUATION @ 30MHz:
 - TRANSMIT -30db MINIMUM
 - RECEIVER -18dB MINIMUM
- RETURN LOSS (1-10MHz): -15dB MINIMUM
- CUTOFF FREQUENCY: 17MHz TYPICAL
- CROSSTALK (1-10MHz): -30dB MINIMUM
- I/O IMPEDANCE: 100:100 OHMS (RX)
- I/O IMPEDANCE: 50:100 OHMS (TX)

mat'l. code		surface ASME Y14.5 ✓		tolerance ASME Y14.5		projection ⊕-∟		product family MODJACK				
ltr	ecr no	dr	date	tolerances unless otherwise specified				title NETJACK, SINGLE PORT ASSEMBLY				
E				angles	time	xxx*.010		INCH				
				0° ±2'				scale				
		dr	L.POTTEIGER	11/8/02					dwg no		sheet 5 of 6	size
		enr	J.KONTOS	11/8/02					10019267		A4	
		chr	J.KONTOS	11/8/02								
		appd	J.KONTOS	11/8/02							CUSTOMER Drawing	
sheet index	revision sheet											

PRODUCT NUMBER
SEE SHEET 3

Schematic: for P/N 10019267-0400X OR -0400XL



Electrical Specifications: @25°C

- Isolation Voltage: 1500 Vac
- Isolation Voltage: 500 Vac (6+7+8-2+3+4)
- UTP SIDE OCL: 350uH Min @100KHz 100mV 8mADC
- Rise Time (10-90%): 2.5ns Typical
- Insertion Loss (300KHz-100MHz): -1.1dB Maximum
- Insertion Loss (100MHz-125MHz): -1.5dB Maximum
- Return Loss: -12dB Typical @300KHz - 100MHz
- Crosstalk:
- 100KHz-60MHz -40dB Typical
- 60MHz-100MHz -38dB Typical
- Common Mode to Differential Mode Rejection:
- 100KHz-60MHz -45dB Typ (Tx) / -40dB Typ (Rx)
- 60MHz-100MHz -40dB Typ (Tx) / -35dB Typ (Rx)

mat'l. code		surface ASME Y14.5 ✓		tolerance ASME Y14.5		projection ⊕-∟		product family MODJACK	
ltr	ecn no	dr	date	tolerances unless otherwise specified		INCH		title NETJACK, SINGLE PORT ASSEMBLY	
E				angles	line fit	scale		dwg no 10019267	
				0° ±2'	xxx*.010			sheet 6 of 6 size A4	
		dr	L.POTTEIGER	11/8/02				type CUSTOMER Drawing	
		enr	J.KONTOS	11/8/02					
		chr	J.KONTOS	11/8/02					
		appd	J.KONTOS	11/8/02					
sheet index	revision sheet								