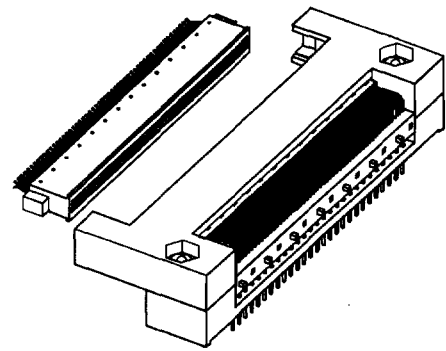


Small PCI

0.80 mm (0.031 in.) Centerline

Small PCI Connector System



Features

- Double row 2 x 54
- 0.80 mm (0.031 in.) pitch
- Right-angle header style
- Low insertion force / high normal force
- Long contact wipe
- Stand-offs for easy PCB cleaning
- Excludes PCMCIA or JEIDA card insertion
- Board mounting via 2.00 mm (0.079 in.) screws and nuts
- High temperature plastic
- PCI to SPCI adaptor boards available

Options


- Single & double stack headers
- Header heights of 11.01 mm (0.472 in.), 15.46 mm (0.609 in.) and 16.47 mm (0.648 in.)
- 3.3 and 5.0 volt keying
- Card frames available with adhesive tape to assure contact with receptacle

Specifications

- MIL-STD 202
- MIL-STD 1344

Approvals and Certifications

 File no. E66906

 File no. LR46923

Applications

- PCI bus interconnect in PCMCIA packaging format
- Notebook, low profile desk top computers and set-top boxes

Technical Data

Materials

- Housings Liquid crystal polymer (UL 94 V-0)
- Color Black
- Contacts Copper alloy

Electrical Performance

- Insulation resistance 1000 MΩ min
- Contact resistance
 - ▶ For single deck header, heights of 11.01 mm (0.472 in.) and 15.46 mm (0.609 in.) and lower deck of the double deck header - 40 milliohms maximum initial; 20 milliohms maximum increase after testing
 - ▶ For single deck header height of 16.47 mm (0.648 in.) and upper deck of double deck header - 55 milliohms maximum initial; 75 milliohms maximum increase after testing

- Withstanding voltage 500 V ac rms
- Capacitance 2.3 pF max at 1.0 MHz
- Current rating 0.5 amp < 30° C temperature rise above ambient
- Voltage rating 125 volts

Plating

- Underplate 1.27 mm (0.050 in.) Nickel min
- Solder tails 2.54 mm (0.100 in.) tin lead min
- Contacts Gold flash over 0.76 μm (30 μin.) GXT™

Mechanical Performance

- Mating force 6.0 Kg max
- Durability Exceeds SPCI specification (100 cycles)

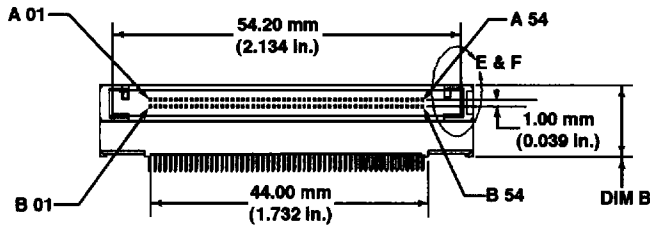
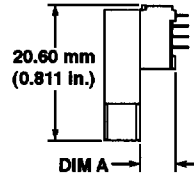
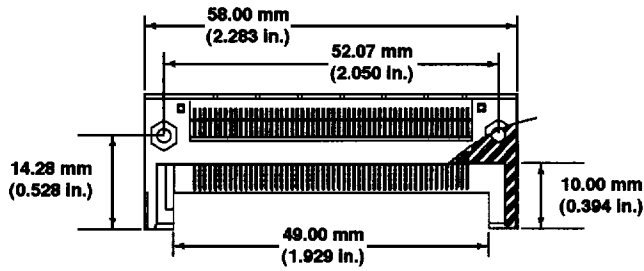
Packaging

- Antistatic vacuum formed trays in boxes

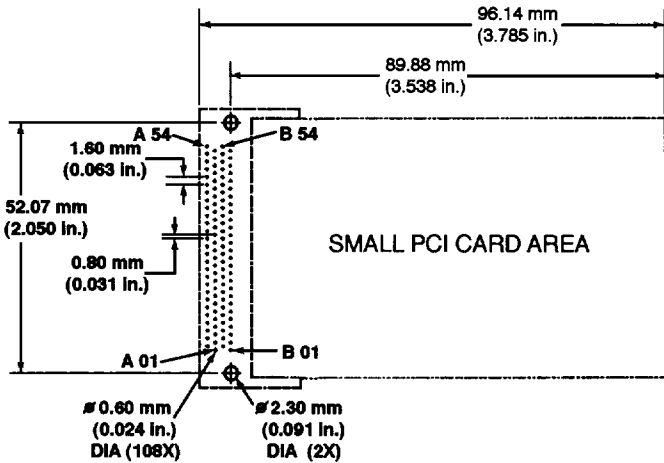
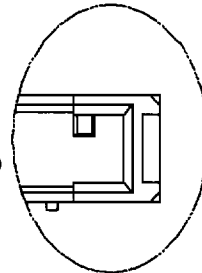
Customer Support Materials

Description	Order No.	Description	Order No.
Customer Product Drawings.....	By Part No.	Product Sample.....	Upon Request
Product Specification.....	BUS-12-119		

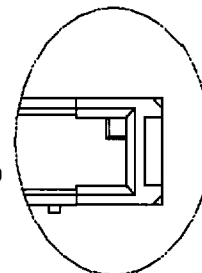
Description Right Angle Header Single Row



DETAIL E
(KEYING
FOR 5.0 V)



DETAIL F
(KEYING
FOR 3.3 V)



RECOMMENDED BOARD LAYOUT

Ordering Data

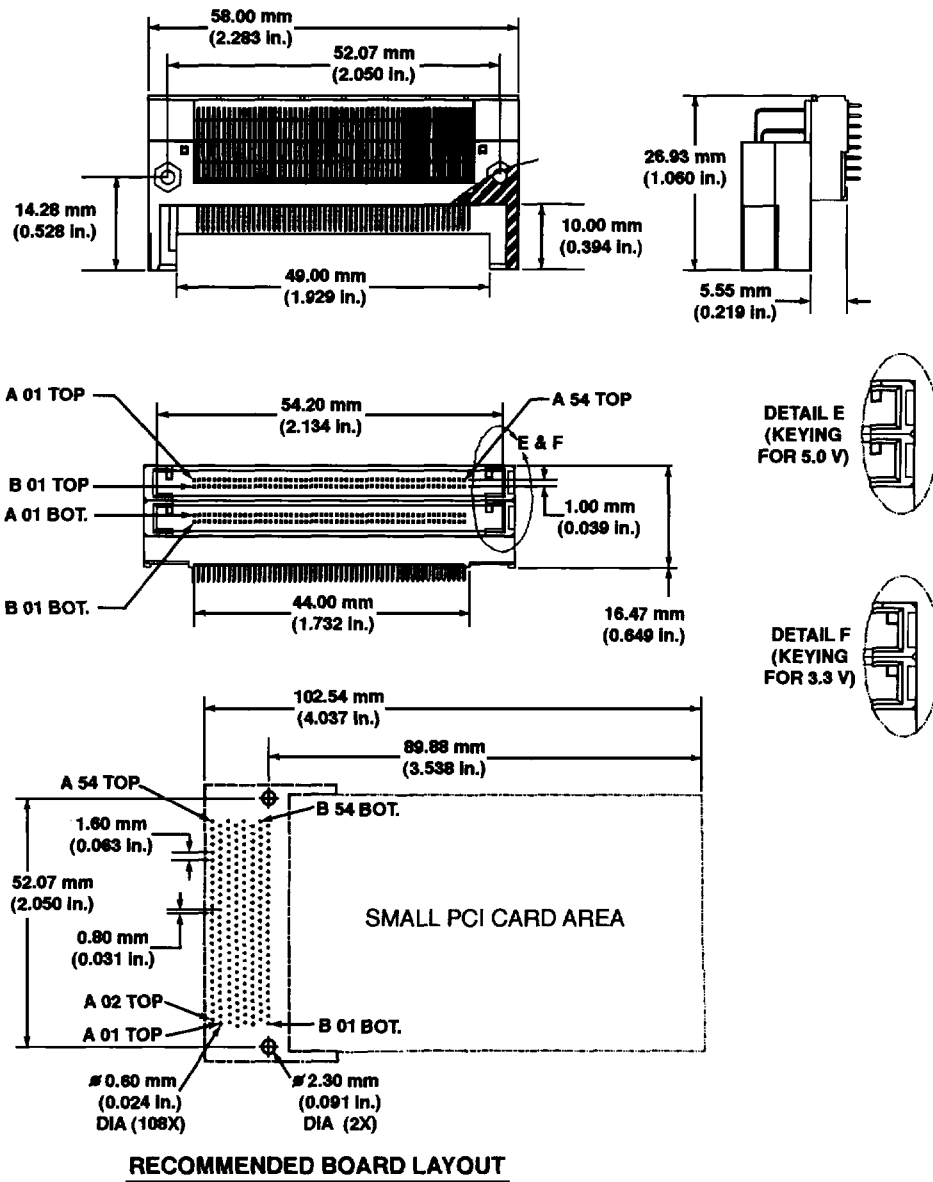
9 4 5 8 4 - X X X

These digits specify height above board and voltage keying

Dash Number	Dimension B		Dimension A		Voltage Keying
	mm	in.	mm	in.	
-001	11.01	0.433	5.55	0.219	5.0
-002	11.01	0.433	5.55	0.219	3.3
-003	15.46	0.609	10.00	0.394	5.0
-004	15.46	0.609	10.00	0.394	3.3
-005	16.47	0.648	11.01	0.433	5.0
-006	16.47	0.648	11.01	0.433	3.3

Ordering data shown is for our standard product offering. For non-standard or custom products, contact your authorized Berg Electronics representative.

Description
Double Stack Header



Ordering Data

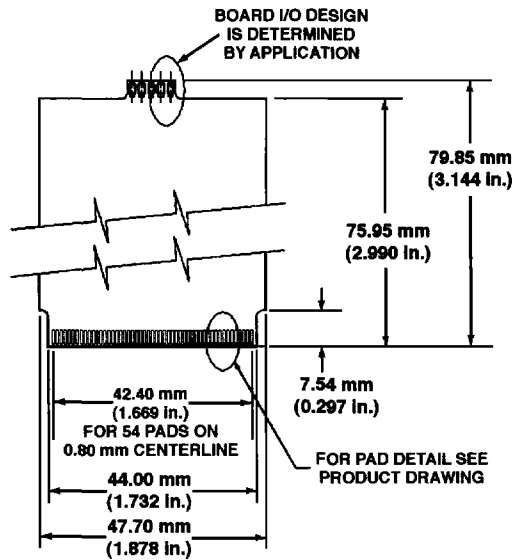
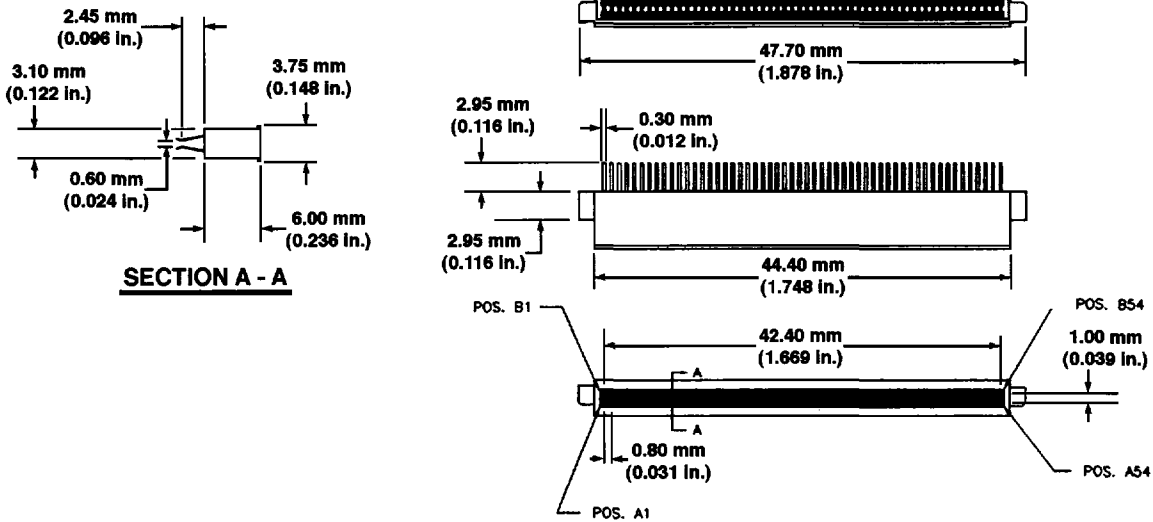
9 4 5 8 5 - 0 0 1 5.0 volt keying

9 4 5 8 5 - 0 0 2 3.3 volt keying

Ordering data shown is for our standard product offering. For non-standard or custom products, contact your authorized Berg Electronics representative.

Description

2 x 54 Straddle Mount Receptacle



BOARD LAYOUT

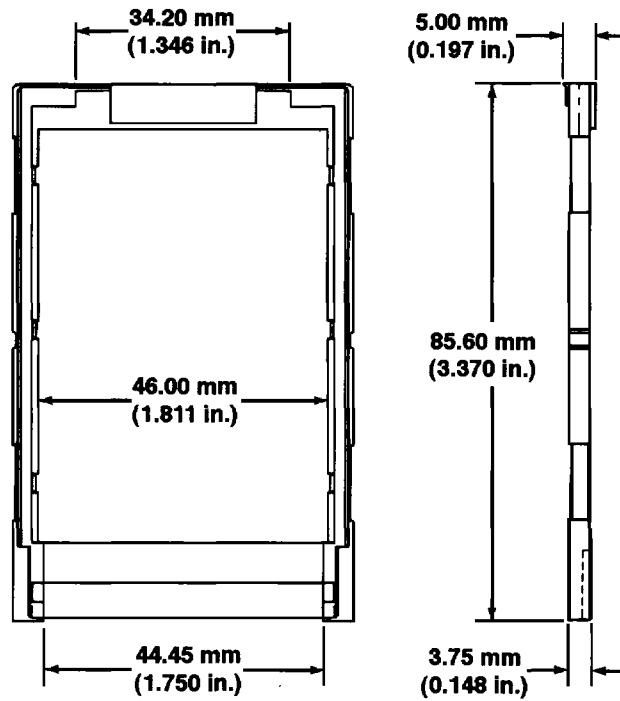
Ordering Data

9 4 5 8 6 - 0 0 1

For 0.70 mm (0.028 in.) to 0.80 mm (0.031 in.) thick PC Boards

Ordering data shown is for our standard product offering. For non-standard or custom products, contact your authorized Berg Electronics representative.

Description
Card Frames



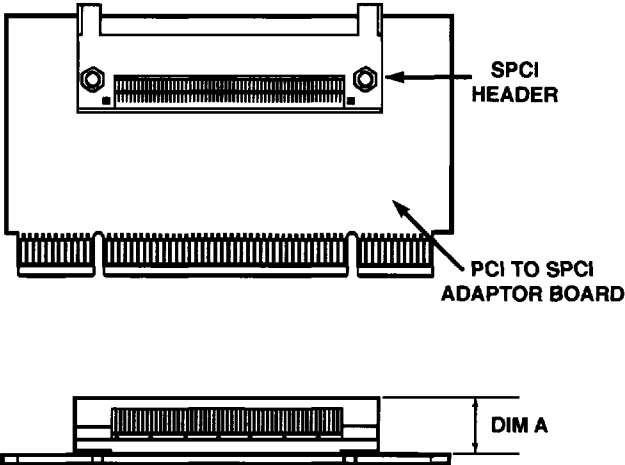
Ordering Data

All card frames listed have 2 x 8 I/O connector opening

Part Number	Description
94813-001	5.0 volt keying
94813-002	3.3 volt keying
94813-003	Universal keying
94813-101	5.0 volt keying with adhesive sheet
94813-102	3.3 volt keying with adhesive sheet
94813-103	Universal keying with adhesive sheet

Ordering data shown is for our standard product offering. For non-standard or custom products, contact your authorized Berg Electronics representative.

Description
PCI to Small PCI
Adapter Assembly



Ordering Data

Part Number	Description	Dimension A	
		mm	in.
71221-001	5.0 volt keying	11.01	0.433
71221-002	5.0 volt keying	15.46	0.609
71221-003	5.0 volt keying	16.47	0.648
71221-004	3.3 volt keying	11.01	0.433
71221-005	3.3 volt keying	15.46	0.609
71221-006	3.3 volt keying	16.47	0.648

Ordering data shown is for our standard product offering. For non-standard or custom products, contact your authorized Berg Electronics representative.