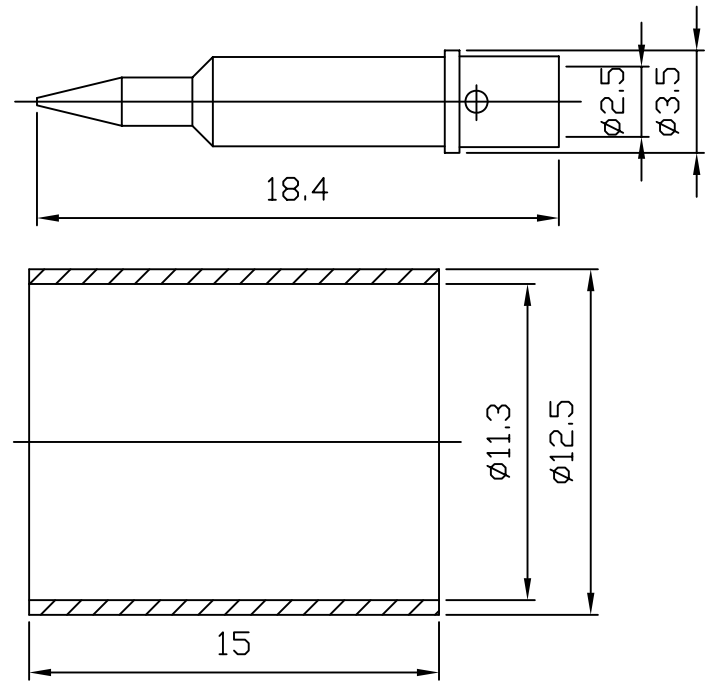
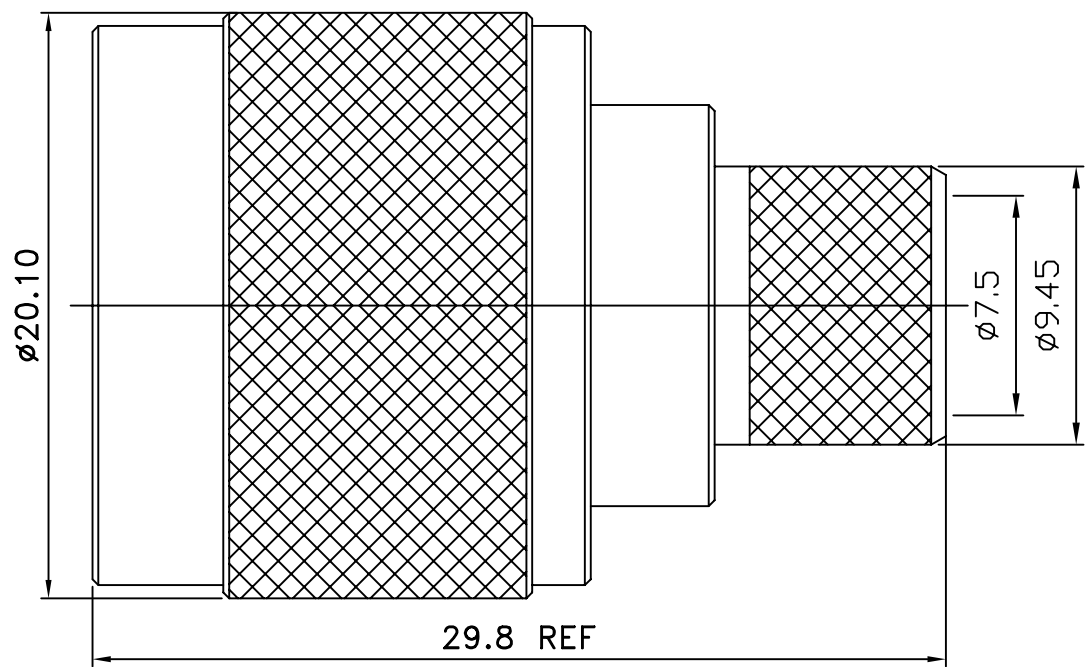


1 2 3 4 5 6 7 8 9 0

J
I
H
G
F
E
D
C
B
A



N-PC-213-LF
LEADFREE
RoHS Compliant

NO	DESCRIPTION	MATERIAL	FINISH	QTY
8	GASKET	SI-RUBBER	ORANGE	1
7	RETAINING	BRASS	NICKEL	1
6	SHELL	BRASS	NICKEL	1
5	FERRULE	BRASS	NICKEL	1
4	GROUND RING	BRASS	NICKEL	1
3	DIELECTRIC	DELRIN	WHITE	1
2	PIN	BRASS	GOLD	1
1	BODY	BRASS	NICKEL	1



PART NO. N-PC-213	
DWG NO. N-PC-213	
FILE NO.	
UNIT / mm	SCALE 1:1

CHECKED BY	CY
DRAWING BY	
PROJECTION	

TOLERANCES ARE	
0.5-5	±0.2
5-30	±0.4
30-120	±0.6
120-315	±1
315-1000	±1.6
1000-2000	±2.4

DESCRIPTION:	N MALE CRIMP			
AREA	REVISIONS	HK	DATE	

煜倫股份有限公司