



Am2864AE

8192 x 8-Bit Electrically Erasable PROM

DISTINCTIVE CHARACTERISTICS

- 5-V only operation
- Military temperature range available
- Self-timed Write Cycle with on-chip latches
- Data Polling for end-of-write indication
- Data protection features to prevent writes from occurring during V_{CC} power-up/down
- 32-byte page write mode
- Minimum endurance of 10,000 write cycles per byte with a 10-year retention. For detailed information, see the reliability section within this Handbook.
- Allows \overline{WE} and \overline{CE} controlled Writes

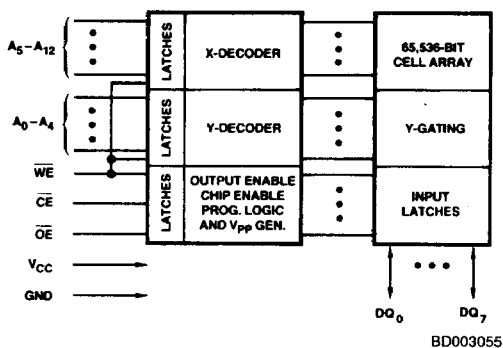
GENERAL DESCRIPTION

The Am2864AE is a 65,536-bit Electrically Erasable Programmable Read-Only Memory (EEPROM) organized as 8192 words by 8 bits per word. It operates from a single 5-volt supply and has a fully self-timed write cycle with address, data, and control lines latched during the write operation. The 32-byte page write mode allows programming in as little as 2.6 seconds. The Am2864AE is fabricated on AMD's highly manufacturable N-Channel Silicon gate process, and uses AMD's proprietary EEPROM

technology to achieve electrically alterable nonvolatile storage. This technology employs the industry-accepted Fowler-Nordheim tunneling across a thin oxide.

The Am2864AE provides the on-chip logic necessary to interface with most microprocessors. The latched inputs and self-timed write cycle free the microprocessor to perform other tasks during a write. A transparent automatic erase before write enhances system performance.

BLOCK DIAGRAM



MODE SELECT TABLE

Inputs			Outputs		
\overline{CE}	\overline{OE}	\overline{WE}	I/O	A_9	Mode
L	L	H	Data Out	X	Read
L	H	\square	Data In	X	Write
\square	H	L	Data In	X	Write
H	X	X	Hi-Z	X	Standby
L	H	H	Hi-Z	X	Read Inhibit
X	L	X	-	X	Write Inhibit
L	L	H	Code	V_H	Auto Select
L	L	H	\overline{DIN}	X	Data Polling

$V_H = 12.0 \text{ V} \pm .5 \text{ V}$

H = HIGH

L = LOW

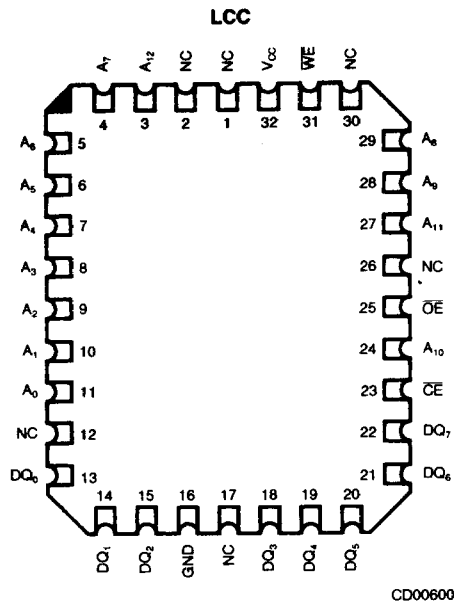
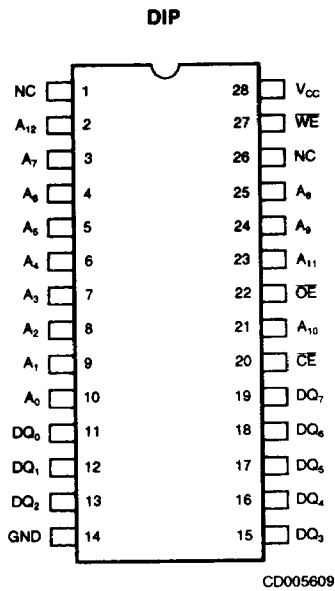
X = Don't Care

\square = Pulse

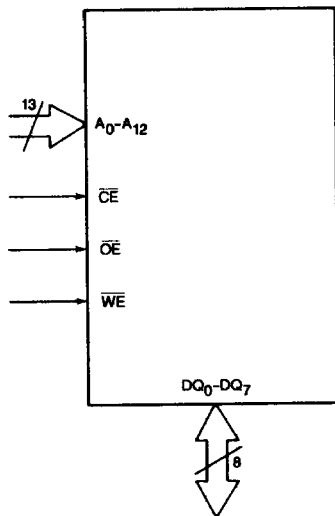
PRODUCT SELECTOR GUIDE

Part Number	Am2864AE-205	Am2864AE-200	Am2864AE-255	Am2864AE-250	Am2864AE-305	Am2864AE-300	Am2864AE-355	Am2864AE-350
Maximum Access Time	200 ns		250 ns		300 ns		350 ns	
V_{CC} Supply Tolerance	$\pm 5\%$	$\pm 10\%$	$\pm 5\%$	$\pm 10\%$	$\pm 5\%$	$\pm 10\%$	$\pm 5\%$	$\pm 10\%$

CONNECTION DIAGRAMS Top View



LOGIC SYMBOL



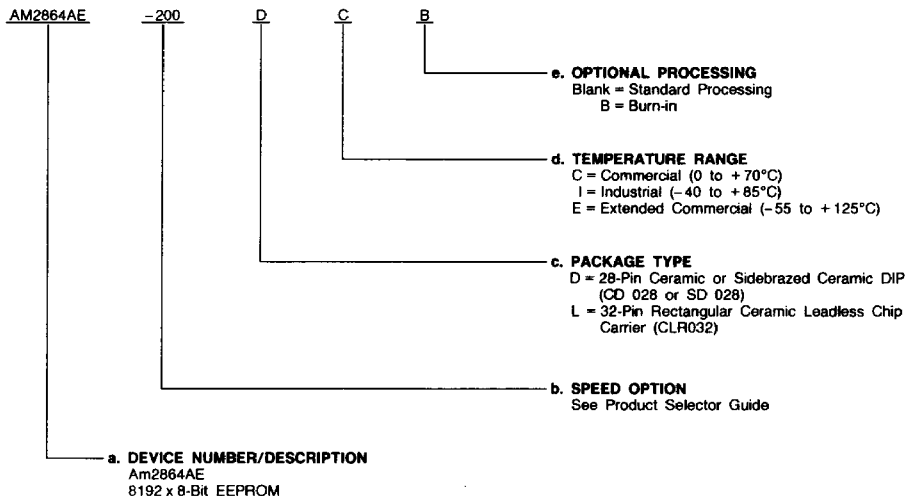
- A₀ - A₁₂ = Address Pins
- CE = Chip Enable
- DQ₀ - DQ₇ = Data Pins
- GND = Ground
- NC = No Connect
- OE = Output Enable
- V_{CC} = Power Supply
- WE = Write Enable
- NC = No Connect

ORDERING INFORMATION

Standard Products

AMD standard products are available in several packages and operating ranges. The order number (Valid Combination) is formed by a combination of:

- a. **Device Number**
- b. **Speed Option**
- c. **Package Type**
- d. **Temperature Range**
- e. **Optional Processing**



Valid Combinations	
AM2864AE-205	DC, DCB, DI, DIB, DE, DEB, LC, LCB, LI, LIB, LE, LEB
AM2864AE-200	
AM2864AE-255	
AM2864AE-250	
AM2864AE-305	
AM2864AE-300	
AM2864AE-355	
AM2864AE-350	

Valid Combinations

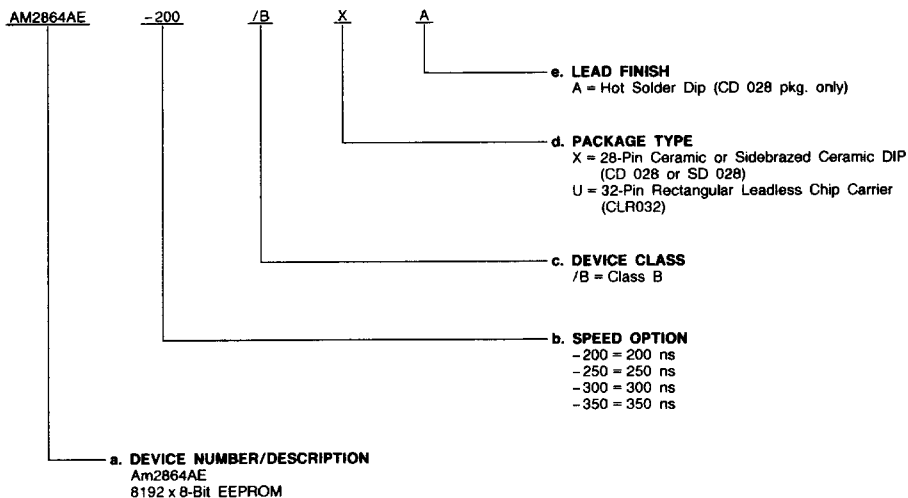
Valid Combinations list configurations planned to be supported in volume for this device. Consult the local AMD sales office to confirm availability of specific valid combinations, to check on newly released valid combinations, and to obtain additional data on AMD's standard military grade products.

MILITARY ORDERING INFORMATION

APL Products

AMD products for Aerospace and Defense applications are available in several packages and operating ranges. APL (Approved Products List) products are fully compliant with MIL-STD-883C requirements. The order number (Valid Combination) for APL products is formed by a combination of:

- a. Device Number
- b. Speed Option
- c. Device Class
- d. Package Type
- e. Lead Finish



Valid Combinations	
AM2864AE-200	/BXA, /BUA
AM2864AE-250	
AM2864AE-300	
AM2864AE-350	

Valid Combinations

Valid Combinations list configurations planned to be supported in volume for this device. Consult the local AMD sales office to confirm availability of specific valid combinations or to check for newly released valid combinations.

Group A Tests

Group A tests consist of Subgroups 1, 2, 3, 7, 8, 9, 10, 11.

FUNCTIONAL DESCRIPTION

Read Mode

The Am2864AE has two control functions which must be logically satisfied in order to obtain data at the outputs. Chip Enable (\overline{CE}) is the power control and should be used for device selection. Output Enable (\overline{OE}) is the output control and should be used to gate data to the output pins independent of device selection. Assuming that addresses are stable, address access time (t_{ACC}) is equal to the delay from \overline{CE} to output (t_{CE}). Data is available at the outputs t_{OE} after the falling edge of \overline{OE} , assuming that \overline{CE} has been LOW and addresses have been stable for at least $t_{ACC} - t_{OE}$.

Standby Mode

The Am2864AE has a standby mode which reduces the active power dissipation by 50%, from 735 mW to 368 mW ($V_{CC} \pm 5\%$). The Am2864AE is placed in the standby mode by applying a TTL HIGH signal to the \overline{CE} input. When in the standby mode, the outputs are in a high-impedance state, independent of the \overline{OE} input.

Data Protection

The Am2864AE incorporates several features that prevent unwanted write cycles during V_{CC} power-up and power-down. These features protect the integrity of the stored data.

To avoid the initiation of a write cycle during V_{CC} power-up and power-down, a write cycle is locked out for V_{CC} less than 3.0 volts (typical 3.3 V). It is the users' responsibility to ensure that the control levels are logically correct when V_{CC} is above 3.0 volts.

There is a \overline{WE} lockout circuit that prevents \overline{WE} pulses of less than 20 ns duration from initiating a write cycle.

When the \overline{OE} control is in logic zero condition, a write cycle cannot be initiated.

Write Cycle Control Pins

For system design simplification, the Am2864AE is designed in such a way that either \overline{CE} or \overline{WE} can be used to initiate a write cycle. During a system write cycle, the address is latched into the internal address latches upon the last falling edge of \overline{WE} or \overline{CE} providing that \overline{OE} is a logic "1". The first rising edge of \overline{WE} or \overline{CE} latches the data into the data latches. All setup and hold times are with respect to the \overline{WE} signal.

To simplify the following discussion, the \overline{WE} pin is used as the write cycle control pin throughout the rest of this functional description.

Page Write Mode

The page write allows from 1 to 32 bytes of data to be written into the EEPROM in a single write cycle. The page write mode consists of a load sequence followed by an automatic write sequence.

During the load portion, sequential \overline{WE} pulses load the byte address and the byte data into a 32-byte register. The bytes can be loaded into this register in any order. On each \overline{WE} pulse, the "Y" address is latched on the falling edge of the \overline{WE} , the data input is latched on the rising edge of \overline{WE} , and the page address ($A_5 - A_{12}$) is latched on the falling edge of the last \overline{WE} . Note that in order for a write to occur, \overline{CE} and \overline{WE} must be LOW and \overline{OE} must be HIGH. The load portion of the page write is complete when all the data (up to 32 bytes) is loaded into the register.

The automatic write portion starts t_{WW} after each transition of \overline{WE} from LOW-to-HIGH. If \overline{WE} transitions from HIGH-to-LOW before t_{WW} minimum (100 μ s), the timer is reset and the automatic write portion does not start. This is how the bytes

are loaded into the register. If \overline{WE} is held LOW, this t_{WW} timer never starts and the write cycle is held indefinitely.

When a write pulse is not given to the device within the t_{WW} minimum time (100 μ s) from the rising edge of the previous write pulse, the automatic write sequence is initiated. At completion of the automatic write sequence (t_{WB} maximum time has elapsed, or Data Polling indicates the write operation is complete), at least one of the control pins must deselect the device from accidental writes (\overline{OE} LOW, \overline{CE} HIGH, or \overline{WE} HIGH).

The automatic write sequence consists of an erase cycle, which erases any data that existed in each addressed cell; and a write cycle, which puts data back into the erased cells. Note that a page write will only write data to the locations being addressed and will not rewrite the entire page.

Byte Mode Write

When \overline{WE} is toggled once, the Am2864AE operates in the byte mode. A single byte is loaded into the register, and after \overline{WE} goes HIGH and t_{WW} is satisfied, the automatic write cycle starts. It is in this mode that the Am2864AE is identical to the Am2864BE and Am9864.

Auto Select Mode

The auto select mode allows the reading out of a binary code from an EEPROM that will identify its manufacturer and type. This mode is intended for use by programming equipment for the purpose of automatically matching the device to be programmed with its corresponding programming algorithm. This mode is functional at $25^\circ\text{C} \pm 5^\circ\text{C}$ ambient temperature.

To activate this mode, programming equipment must force 11.5 V to 12.5 V on address line A_9 of the Am2864AE. Two identifier bytes may then be sequenced from the device outputs by toggling address line A_0 from V_{IL} to V_{IH} . All other address lines must be held at V_{IL} during auto select mode.

Byte 0 ($A_0 = V_{IL}$) represents the manufacturer code and byte 1 ($A_0 = V_{IH}$) the device identifier code. For the Am2864AE, these two identifier bytes are given in Table 1. All identifiers for manufacturer and device codes will possess odd parity, with the MSB (07) defined as the parity bit. The auto select code for the Am2864AE is identical to the Am2864BE.

Output OR-Tieing

To accommodate multiple memory connections, a two-line control function is provided to allow for:

1. Low memory power dissipation, and
2. Assurance that output bus contention will not occur.

It is recommended that \overline{CE} be decoded and used as the primary device-selecting function, while \overline{OE} be made a common connection to all devices in the array and be connected to the read line from the system control bus. This assures that all deselected memory devices are in their low-power standby mode and that the output pins are only active when data is desired from a particular memory device.

Data Polling

Data Polling makes the Am2864AE highly flexible. It allows the designer the option of a software polling technique for end-of-write indication. Data Polling requires a simple software routine that performs a read operation when the chip is in the automatic write mode. The data that becomes valid during this Data Polling read is the inverse of all 8 bits last written to the outputs. The true data ($DQ_0 - DQ_7$) will become valid when the automatic write has been completed. Note that all 8 bits invert during Data Polling, thereby giving the user more flexibility during design and layout.

Chip Clear Mode (Military only)

Another feature included on AMD's Am2864AE for military applications is a single-pulse chip erase. This optional mode allows the user to program all bits to a logic ONE with a single 10-ms write. Additional information is available from AMD regarding this test mode — consult the local AMD sales office.

Endurance

Since endurance testing is a destructive test, it is sampled and not 100% tested. To test for endurance, a sample of devices are written 10,000 times and checked for data retention capability.

There is one main failure mechanism associated with endurance failures in EEPROMs. This failure mechanism is due to charge trapping in the thin tunneling dielectric. At a point when the amount of trapped charge creates an electric field that exceeds the dielectric breakdown of the oxide, the oxide becomes conductive and reliable storage of charge on the floating gate is no longer possible. This results in the failure of a single bit to properly write and retain data.

There are three different failure rates associated with this failure mechanism, and the failure rates are a function of the number of write cycles. For less than a few hundred write cycles, the failure rate is relatively high. During AMD testing, each part is written hundreds of times to allow those cells that would be infant-mortality failures to be screened out. For the next 20,000 to 30,000 write cycles the failure rate is low. It is in this region that AMD EEPROMs are operated. Somewhere

above this region, typically well above the guarantee of 10^4 total write cycles, the failure rate again starts increasing.

The endurance failure rate is a function of the number of write cycles that the part has experienced. All parts that pass the AMD test screens will write a minimum of 10,000 times and retain data for a period of ten years at every byte location with a maximum failure rate of 5%. In other words, 5% (maximum) of a sample of devices will fail to write or to retain information after write if they are written 10,000 times. Those devices that fail will typically have a single bit that fails to retain the correct data after being written. This failure rate is measured from a sample of devices, in the same manner that other reliability failure mechanisms are measured.

For more detailed information on how this data was obtained please refer to the reliability section within this Handbook.

APPLICATIONS

During the switch between active and standby conditions, transient current peaks are produced on the rising and falling edges of Chip Enable. The magnitude of these transient current peaks is dependent on the output capacitance loading of the device. A 0.1 μ F ceramic capacitor (high frequency, low inherent inductance) should be used on each device between V_{CC} and GND to minimize transient effects. In addition, to overcome the voltage drop caused by the inductive effects of the printed circuit board traces on EEPROM arrays, a 4.7 μ F bulk electrolytic capacitor should be used between V_{CC} and GND for each eight devices. The location of the capacitor should be close to where the power supply is connected to the array.

PROGRAMMING

TABLE 1. IDENTIFIER BYTES (Notes 1, 2 & 3)

Identifier	A ₀	DQ ₇	DQ ₆	DQ ₅	DQ ₄	DQ ₃	DQ ₂	DQ ₁	DQ ₀	Hex
Manufacturer Code	V _{IL}	0	0	0	0	0	0	0	1	01
Device Code	V _{IH}	1	0	0	0	1	0	1	0	8A

Legend: 1 = HIGH
0 = LOW

Notes: 1. A₉ = 12.0 V \pm 0.5 V
2. A₁ - A₈, A₁₀ - A₁₂, \overline{CE} , \overline{OE} = V_{IL}
3. WE = V_{IH}

ABSOLUTE MAXIMUM RATINGS

Storage Temperature -65 to +150°C
 Ambient Temperature with Power Applied . -65 to +135°C
 Voltage on All Inputs with Respect
 to GND +7.0 to -1.0 V
 Voltage on A₀ with Respect
 to GND +13.5 to -0.6 V

Stresses above those listed under ABSOLUTE MAXIMUM RATINGS may cause permanent device failure. Functionality at or above these limits is not implied. Exposure to absolute maximum ratings for extended periods may affect device reliability.

OPERATING RANGES

Commercial (C) Devices
 Temperature (T_C) 0 to +70°C
 Supply Voltage (V_{CC} ±5%) +4.75 to +5.25 V
 (V_{CC} ±10%) +4.50 to +5.50 V

Industrial (I) Devices
 Temperature (T_C) -40 to +85°C
 Supply Voltage (V_{CC} ±5%) +4.75 to +5.25 V
 (V_{CC} ±10%) +4.50 to +5.50 V

Extended Commercial (E) and Military (M) Devices
 Temperature (T_C) -55 to +125°C
 Supply Voltage (V_{CC} ±10%) +4.50 to +5.50 V

Operating ranges define those limits between which the functionality of the device is guaranteed.

DC CHARACTERISTICS over operating range unless otherwise specified (for APL Products, Group A, Subgroups 1, 2, 3 are tested unless otherwise noted)

Parameter Symbol	Parameter Description	Test Condition	Min.	Typ.	Max.	Unit
I _{LI}	Input Leakage Current	V _{IN} = 0 and 5.5 V			10	μA
I _{LO}	Output Leakage Current	V _{OUT} = 0 and 5.5 V			10	μA
I _{CC1}	V _{CC} Current (Standby)	$\overline{CE} = V_{IH}, \overline{OE} = V_{IL}$			70	mA
I _{CC2}	V _{CC} Current (Active)	All Outputs Open			140	mA
V _{IL}	Input LOW Voltage		-1.0		.8	V
V _{IH}	Input HIGH Voltage		2.0		V _{CC} + 1	V
V _{OL}	Output LOW Voltage	I _{OL} = 2.1 mA			.4	V
V _{OH}	Output HIGH Voltage	I _{OH} = -400 μA	2.4			V
C _{IN}	Input Capacitance (Note 1, 2)	V _{IN} = 0 V		4	8	pF
C _{OUT}	Output Capacitance (Note 1, 2)	$\overline{OE} = \overline{CE} = V_{IH}, V_{OUT} = 0 V$		8	10	pF
V _{WI}	Write Inhibit Voltage		3.0	3.3		V

Notes: 1. This parameter is measured only for the initial qualification and after process or design changes which affect capacitance.
 2. Freq. = 1 MHz @ 25°C.
 3. Typical values are for nominal supply voltages.

SWITCHING CHARACTERISTICS over operating range unless otherwise specified (for APL Products, Group A, Subgroups 9, 10, 11 are tested unless otherwise noted)

No.	Parameter Symbol	Parameter Description	Test Condition	Am2864AE-205, Am2864AE-200		Am2864AE-255, Am2864AE-250		Am2864AE-305, Am2864AE-300		Am2864AE-355, Am2864AE-350		Unit
				Min.	Max.	Min.	Max.	Min.	Max.	Min.	Max.	
READ												
1	t _{AOC}	Address to Output Delay	$\overline{CE} = \overline{OE} = V_{IL}$		200		250		300		350	ns
2	t _{CE}	\overline{CE} to Output Delay	$\overline{OE} = V_{IL}$		200		250		300		350	ns
3	t _{OE}	Output Enable to Output Delay	$\overline{CE} = V_{IL}$		150		150		150		150	ns
4	t _{DF} (Note 1)	Output Enable or Chip Enable HIGH to Output Float		10	60	10	60	10	80	10	80	ns
5	t _{OH} (Note 1)	Output Hold from Address Change	$\overline{CE} = \overline{OE} = V_{IL}$	20		20		20		20		ns
6	t _{RC}	Read Cycle Time	$\overline{CE} = \overline{OE} = V_{IL}$	200		250		300		350		ns
7	t _{DA} (Note 1)	Output Enable or Chip Enable LOW to Output Active		10		10		10		10		ns
WRITE												
8	t _{AS}	Address to Write Setup Time		10		10		10		20		ns
9	t _{CS}	\overline{CE} to Write Setup Time		0		0		0		0		ns
10	t _{WP}	\overline{WE} or \overline{CE} Write Pulse Width		150		150		150		200		ns
11	t _{AH}	Address Hold Time		200		200		200		200		ns
12	t _{DS}	Data Setup Time		100		100		100		120		ns
13	t _{DH}	Data Hold Time		20		20		20		30		ns
14	t _{CH}	\overline{CE} Hold Time		0		0		0		0		ns
15	t _{OES}	\overline{OE} Setup Time		10		10		10		10		ns
16	t _{OEH}	\overline{OE} Hold Time		10		10		10		10		ns
17	t _{WC}	Byte Load Cycle Time		3		3		3		3		μs
18	t _{WW}	Page Write Window (Note 3)		20		20		20		20		μs
19	t _{WH}	\overline{WE} or \overline{CE} Write Pulse HIGH Time		50		50		50		100		ns
20	t _{WB}	Byte or Page Write Cycle Time (Note 4)			10		10		10		10	ms
21	t _{WPH}	Write Deselect Hold Time (Note 5)		50		50		50		50		ns
22	(Notes 1 & 2)	Number of Writes per Byte		10		10		10		10		x1000

- Notes: 1. This parameter is measured only at the initial qualification and after process or design changes which affect the parameter.
2. See Reliability Section within this HANDBOOK.
3. A timer of t_{WW} duration starts at every LOW-to-HIGH transition of \overline{WE} . If it is allowed to time out, a page write will start. A transition of \overline{WE} from HIGH-to-LOW will stop the timer.
4. When t_{WB} maximum time has elapsed or Data Polling indicates the write operation is complete, at least one of the control pins must deselect the device (\overline{WE} HIGH, \overline{CE} HIGH, or \overline{OE} LOW). Once the write cycle is complete, the device is available for the next operation.
5. This is the time from deselecting the device (\overline{WE} or $\overline{CE} = V_{IH}$ or $\overline{OE} = V_{IL}$) to the other control pins becoming don't cares.

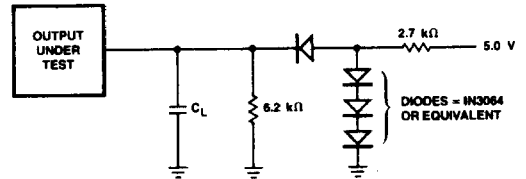
SWITCHING TEST CONDITIONS

Output load: 1 TTL gate and $C_L = 100$ pF
 Input pulse levels: 0.45 V to 2.4 V

Timing Measurement Reference Levels

Input: 0.8 V and 2.0 V
 Output: 0.8 V and 2.0 V

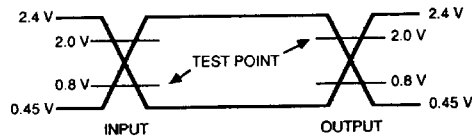
SWITCHING TEST CIRCUIT



TC002491

$C_L = 100$ pF, including jig capacitance.

SWITCHING TEST WAVEFORM



WF025110

AC Testing: Inputs are driven at 2.4 V for logic "1" and 0.45 V for logic "0". Timing measurements are made at 0.8 V and 2.0 V. Input pulse rise and fall times are 10 ns.

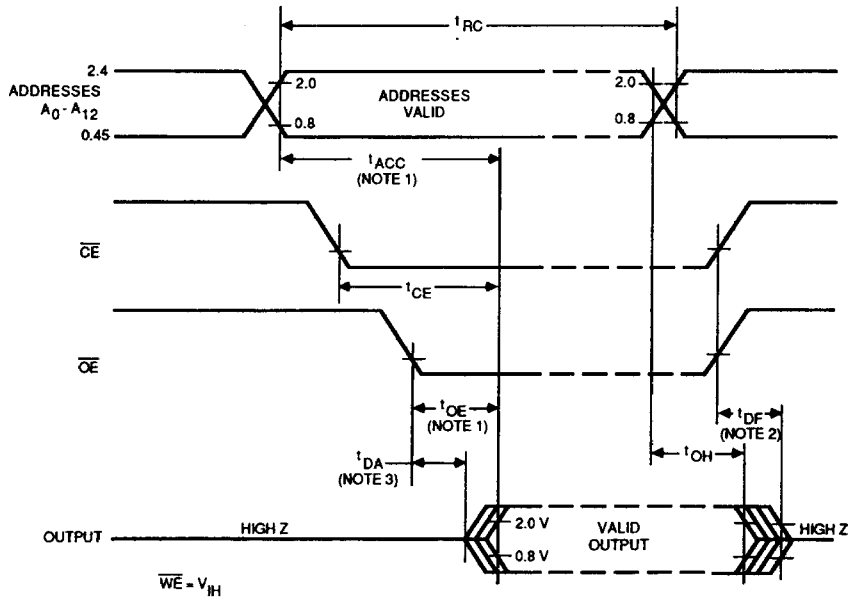
SWITCHING WAVEFORMS

KEY TO SWITCHING WAVEFORMS

WAVEFORM	INPUTS	OUTPUTS
	MUST BE STEADY	WILL BE STEADY
	MAY CHANGE FROM H TO L	WILL BE CHANGING FROM H TO L
	MAY CHANGE FROM L TO H	WILL BE CHANGING FROM L TO H
	DON'T CARE, ANY CHANGE PERMITTED	CHANGING, STATE UNKNOWN
	DOES NOT APPLY	CENTER LINE IS HIGH IMPEDANCE "OFF" STATE

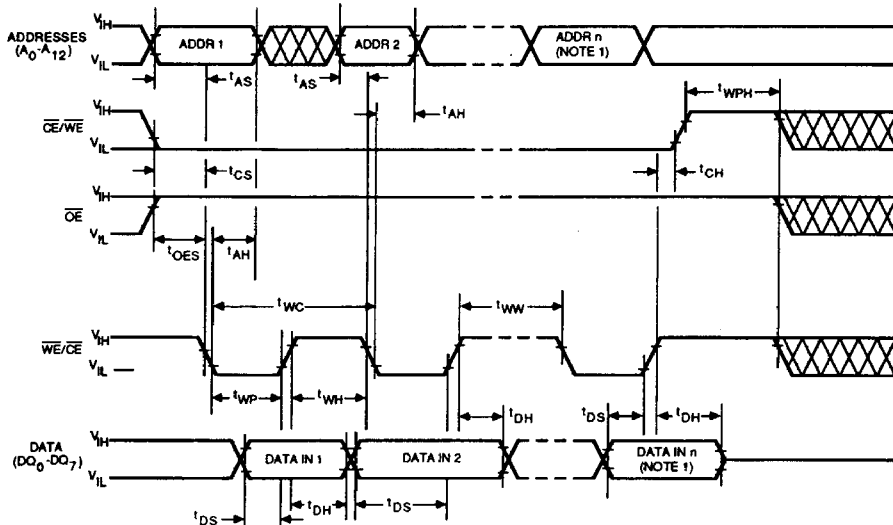
KS000010

SWITCHING WAVEFORMS (Cont'd.)



Read

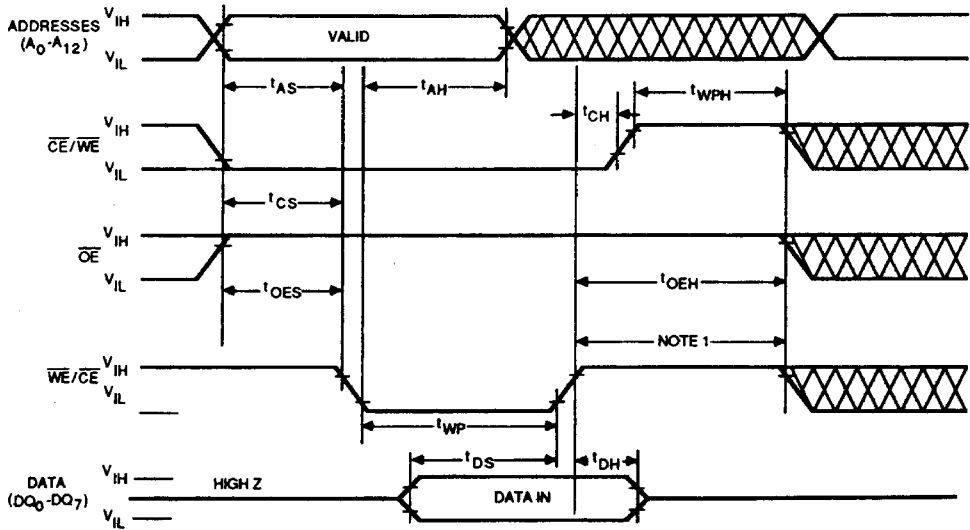
- Notes: 1. \overline{OE} may be delayed up to $t_{ACC} - t_{OE}$ after the falling edge of \overline{CE} without impact on t_{ACC} .
 2. t_{DF} is specified from \overline{OE} or \overline{CE} , whichever occurs first.
 3. t_{DA} is specified from \overline{OE} or \overline{CE} , whichever occurs last.



Page Write

Notes: 1. $n \leq 32$.

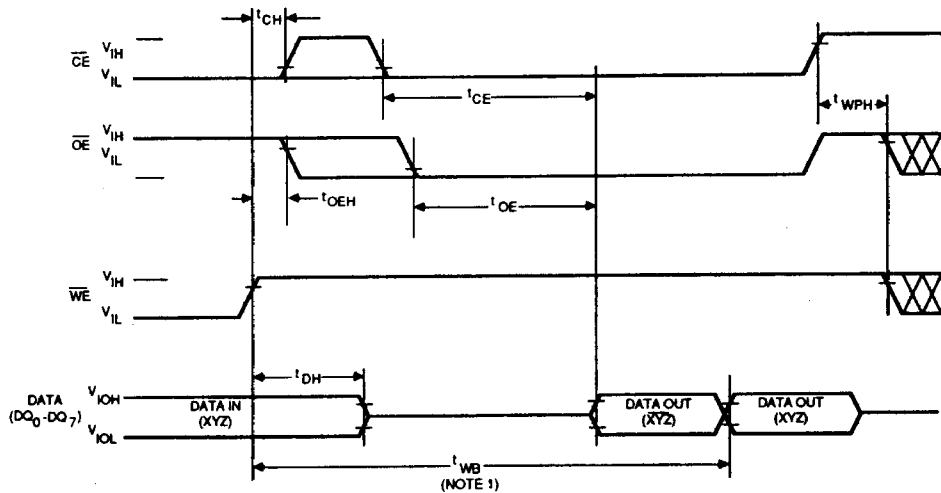
SWITCHING WAVEFORMS (Cont'd.)



WF025142

Byte Write

Notes: 1. This time period = $t_{CH} + t_{RISE} + t_{WPH}$.



WF025150

Data Polling

Notes: 1. When the write cycle is completed (data out TRUE), the user must meet one of the following conditions to prevent an accidental write: \overline{OE} LOW, \overline{CE} HIGH, or \overline{WE} HIGH.