

PLEASE CHECK WWW.MOLEX.COM FOR LATEST PART INFORMATION

Part Number: [1300680072](#)
Status: **Active**
Overview: [Brad Quick-Change Connectors](#)
Description: Brad Power Quick-Change 4 Pole Tee, with 4 Pole Mini-Change Drop Cable, Length 1.0m Cable, 16 AWG

Documents:

[Drawing \(PDF\)](#) [RoHS Certificate of Compliance \(PDF\)](#)

Agency Certification

UL E258922

General

Product Family Industrial Tees and Splitters
 Series [130068](#)
 IP Rating IP67
 Overview [Brad Quick-Change Connectors](#)
 Product Name Quick-Change
 Type Power Tap Tee
 UPC 78678801701

Physical

Color - Cable Jacket Gray
 Drop Connector Mini-Change
 Drop Gender Female
 Keyway Single
 Left Trunk Connector Quick-Change
 Left Trunk Gender Female
 Leg 1 Length N/A
 Leg 2 Length N/A
 Material - Cable Jacket PVC
 Material - Connector Body PVC
 Material - Coupling Nut Anodized Aluminum
 Net Weight 468.106/g
 Poles 4
 Right Trunk Connector Quick-Change
 Right Trunk Gender Male
 Temperature Range - Operating -20°C to +90°C

Electrical

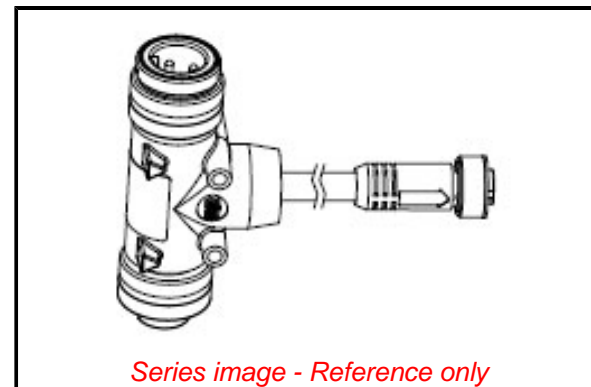
Current - Maximum per Contact 10.0A, 25.0A
 Voltage - Maximum 600V AC/DC

Material Info

Engineering Number TC40200A45M010

Reference - Drawing Numbers

Sales Drawing SD-130068-015



Series image - Reference only

EU ELV

Not Relevant

EU RoHS

Not Reviewed

REACH SVHC

Not Reviewed

Halogen-Free

Status

Not Reviewed

For more information, please visit [Contact US](#)

China ROHS

Not Reviewed

ELV

Not Relevant

RoHS Phthalates

Not Reviewed

Search Parts in this Series

[130068 Series](#)