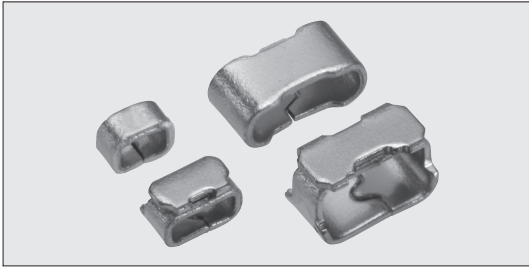
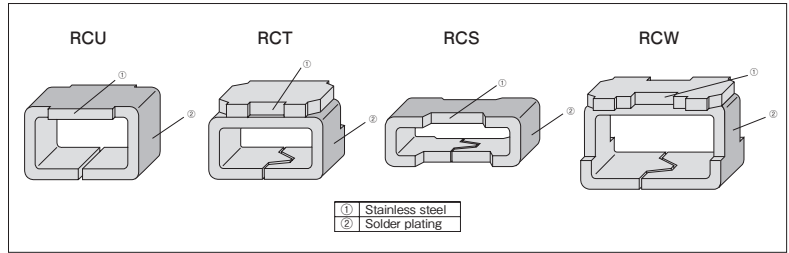


## RCU · RCT · RCS · RCW | Checker Chips



### Construction



### Type Designation

Example

RCU	C	TE
Product Code	Terminal Surface Material	Taping
RCU RCT RCS RCW	C : SnCu	TE: 4mm pitch plastic embossed (7 inch reel) TED: 4mm pitch plastic embossed (10 inch reel) (Not RCW) BK: Bulk

Contact us when you have control request for environmental hazardous material other than the substance specified by EU-RoHS.  
For further information on taping, please refer to APPENDIX C on the back pages.

### Features

- Surface-mountable chip type check terminals.
- Automatic mounting can be done by an ordinary chip mounter.
- Inch size code 1206, 0805 and 0603 are available.  
(for size 1206, two kinds of the height 1.25mm and 2mm are provided.)
- Suitable for both flow and reflow solderings.
- Since only the outside surface is solder-plated, the inside is structured unsolderable.
- Products meet EU-RoHS requirements.
- AEC-Q200 Tested (RCU).

### Applications

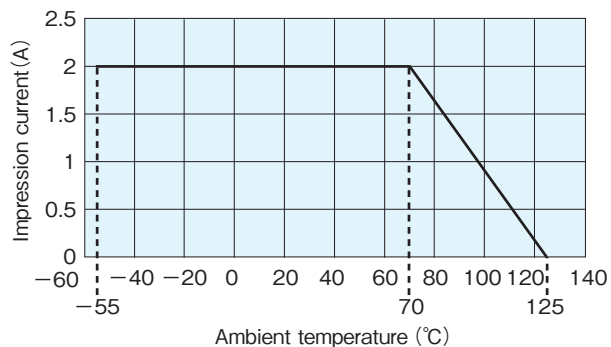
- Terminals for checking signals from a P.C. board when adjusting and repairing the set.

### Rating

Type	Rated Current	Resistance	Rated Ambient Temperature	Operating Temperature Range	Taping & Q'ty/Reel (pcs)	
					TE	TED
RCU	2A	50mΩ or less	+70°C	-55°C ~ +125°C	2,000	5,000
RCT					2,000	5,000
RCS					2,000 <sup>※1</sup>	5,000 <sup>※1</sup>
RCW					2,000	—

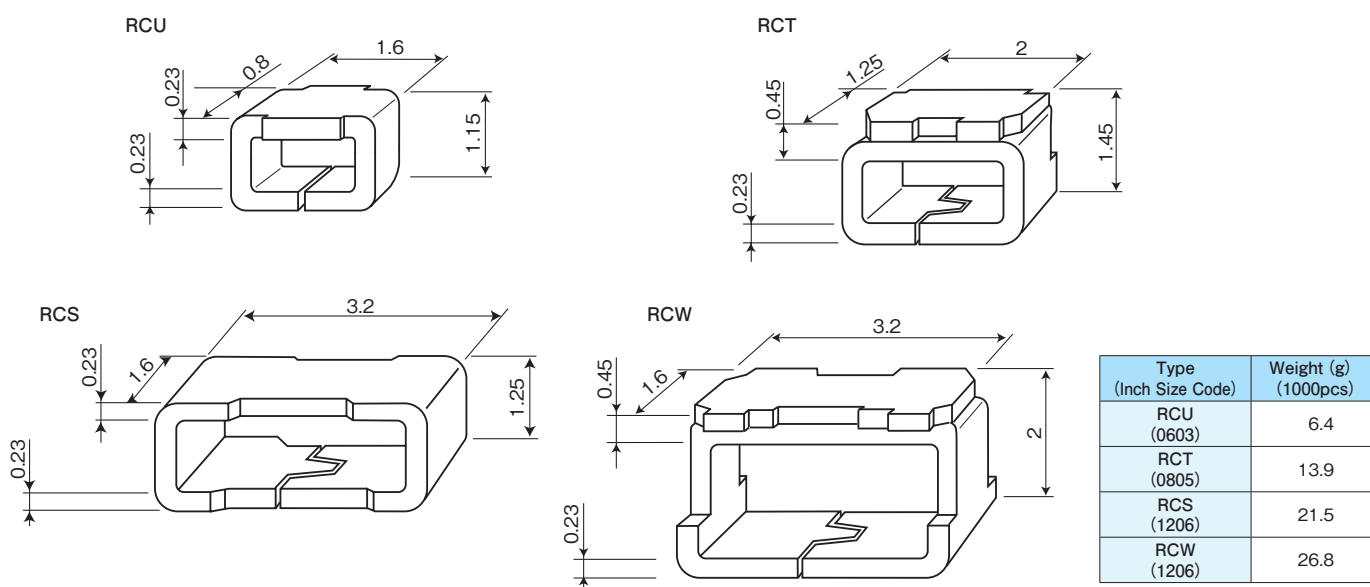
※1 RCS can be packaged upside down for taping.

## Derating Curve



For terminals operated at an ambient temperature of 70°C or higher, the current shall be derated in accordance with the above derated curve.

## Dimensions (mm)



Terminal

## Performance

Test Items	Performance Requirements		Test Methods
	Limit	Typical	
Resistance	50mΩ Max. after the test	10mΩ Max. after the test	25°C
Resistance to soldering heat	50mΩ Max. after the test	10mΩ Max. after the test	260°C ±5°C, 10s ± 1s
Rapid change of temperature	50mΩ Max. after the test	10mΩ Max. after the test	-55°C (30min.) / +125°C (30min.) 100 cycles
High temperature exposure	50mΩ Max. after the test	10mΩ Max. after the test	+125°C, 240h

## Precautions for Use

- Regarding the connection of probes, pulling and pushing load at the measurement and inspection pointer must be 9.8N(1kgf) or less because the chips may drop off.