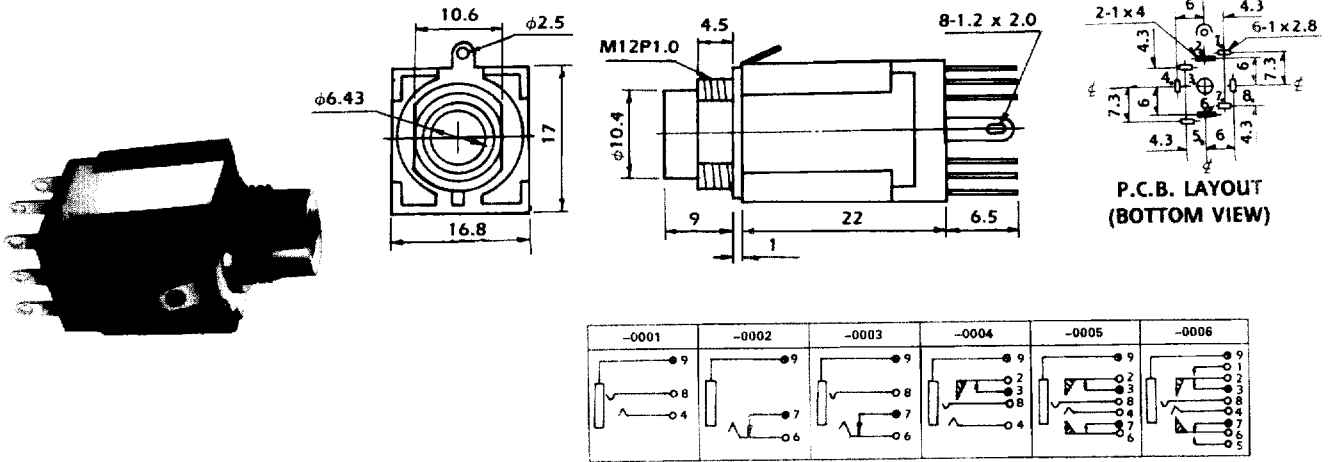
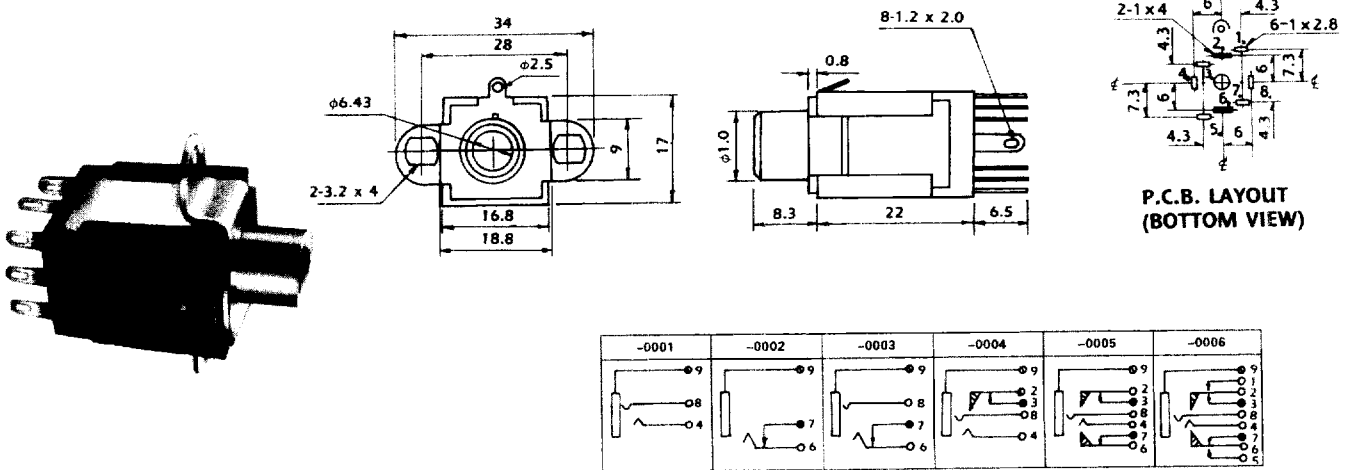


# 6.4Ø HEADPHONE JACK

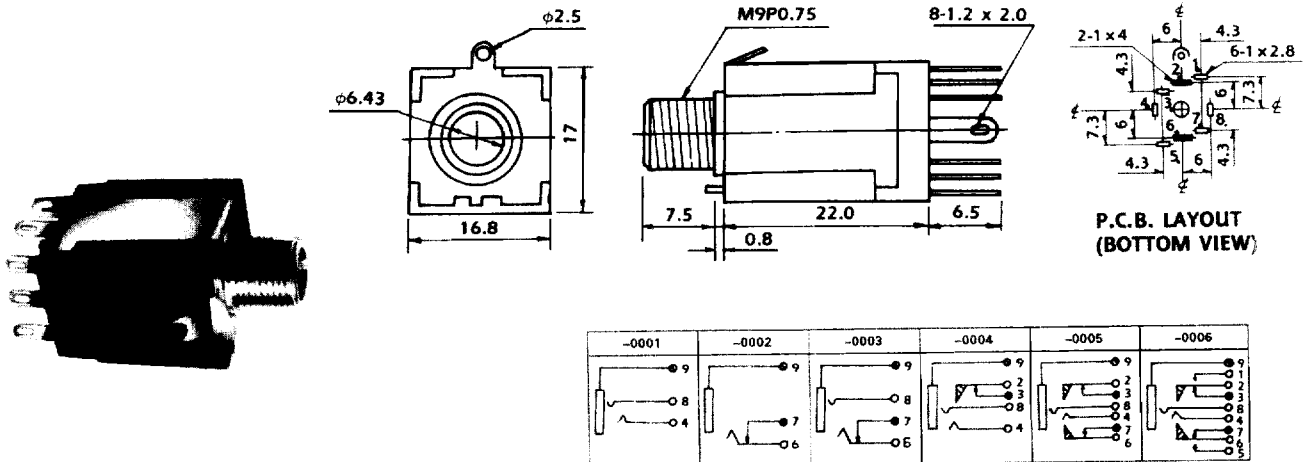
## 60-0316-0XXX



## 60-0317-0XXX



## 60-0318-0XXX

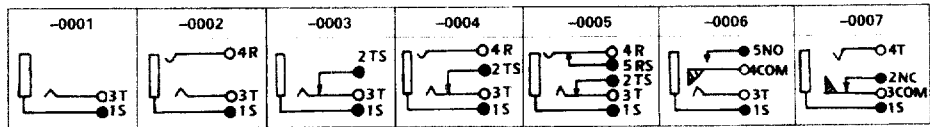
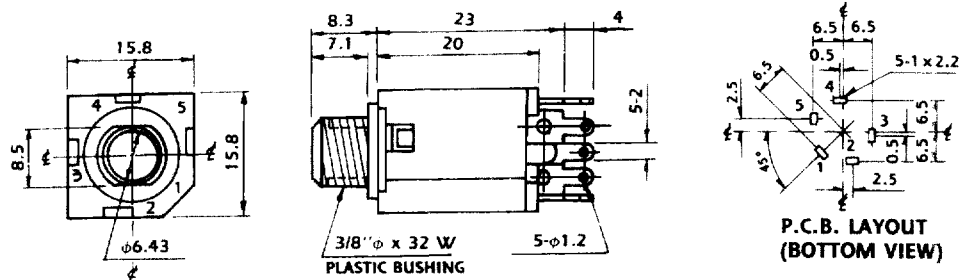
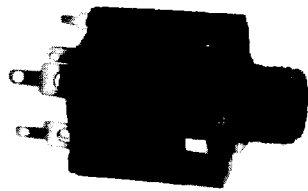


(Other configurations available upon request.)

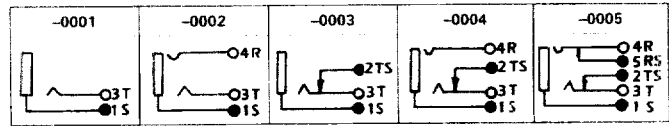
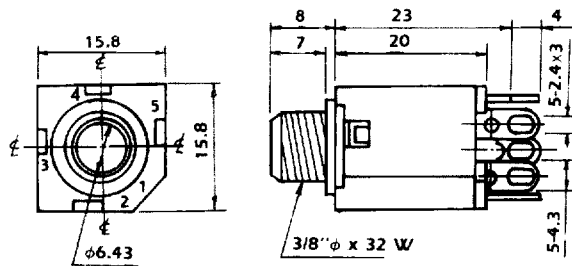


# 6.4ø HEADPHONE JACK

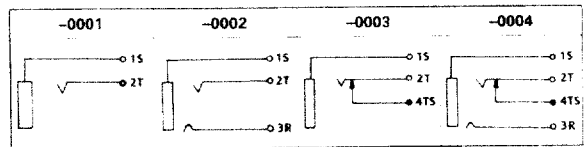
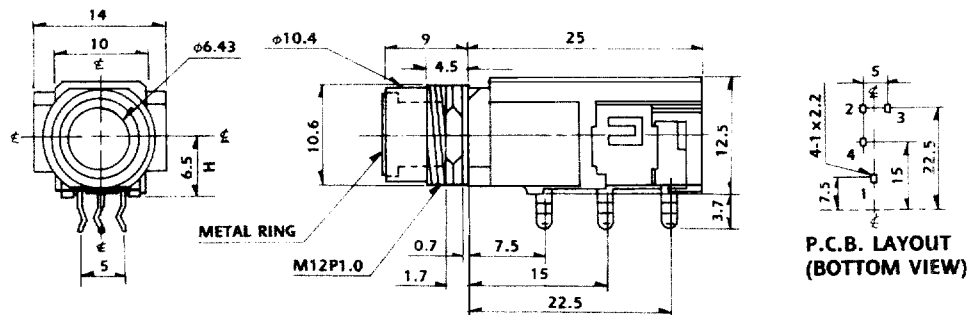
60-0322-0XXX PLASTIC BUSHING  
 60-0323-0XXX METAL BUSHING



60-0324-0XXX PLASTIC BUSHING  
 60-0325-0XXX METAL BUSHING



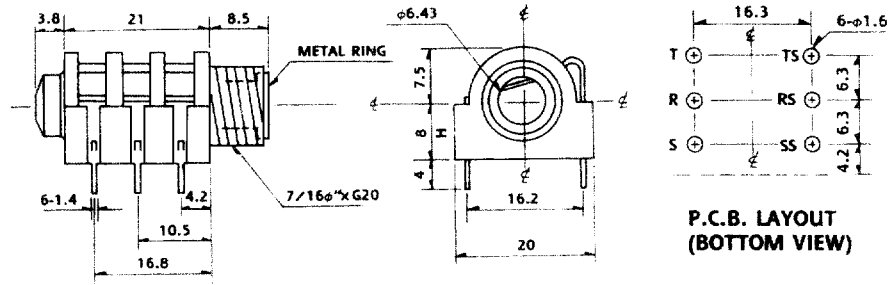
60-0326-0XXX W/METAL RING



(Other configurations available upon request.)

# 6.4ø HEADPHONE JACK

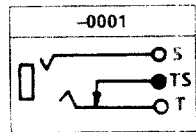
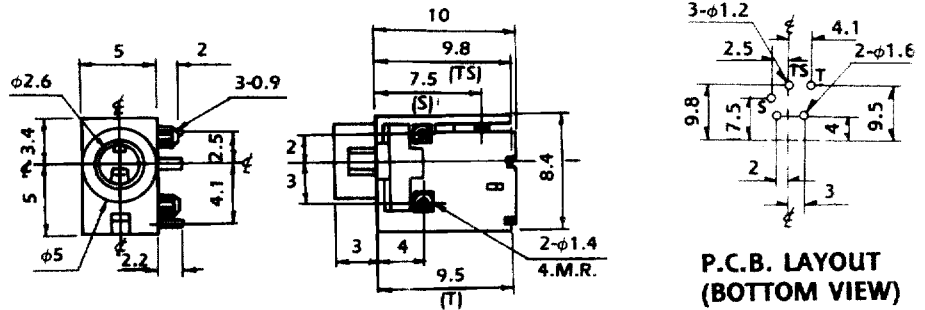
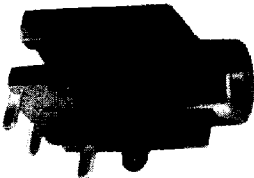
60-0327-0XXX P.C.B. TYPE



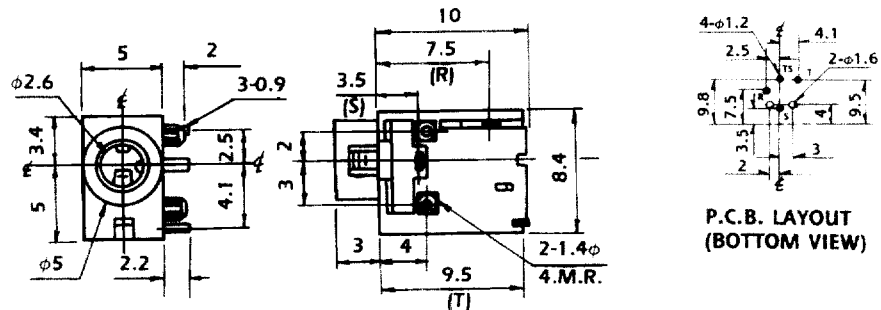
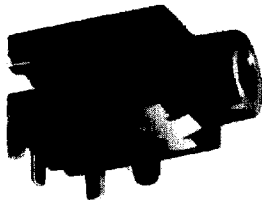
-0001	-0002	-0003	-0004	-0005	-0006	-0007

# 2.6ø EARPHONE JACK

60-0328-0XXX



60-0329-0XXX STEREO

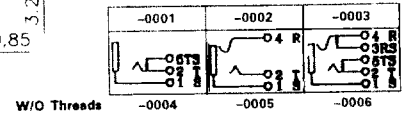
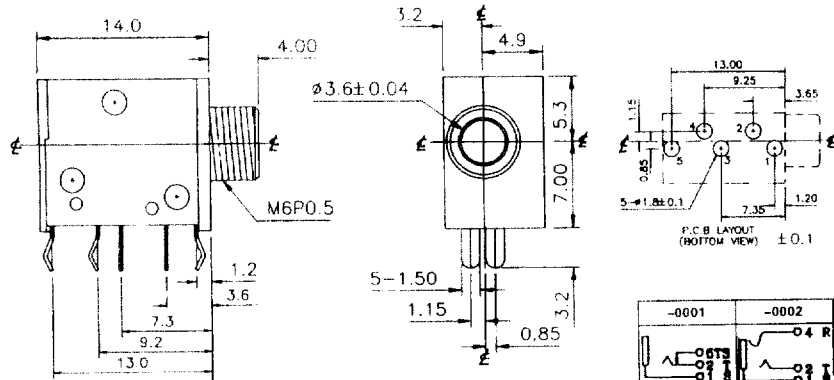
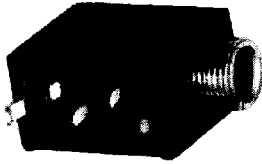


-0001	-0002

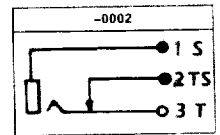
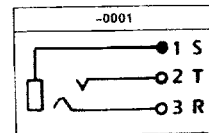
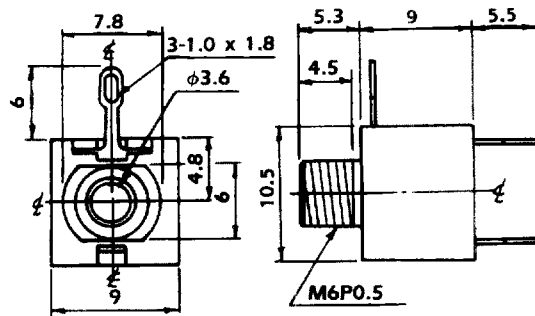
(Other configurations available upon request.)

# 3.6ø EARPHONE JACK

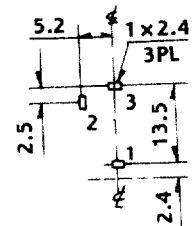
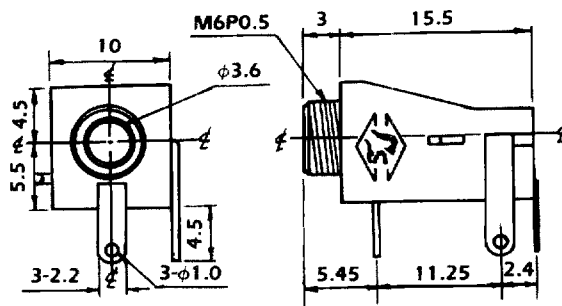
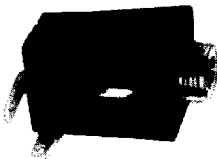
60-0330-0XXX



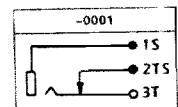
60-0331-0XXX



60-0332-0XXX W/THREAD



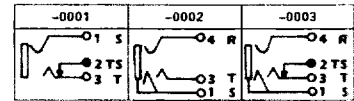
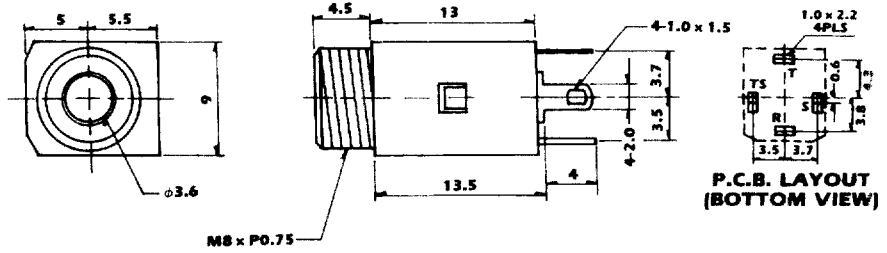
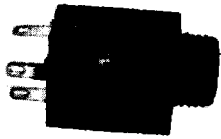
P.C.B. LAYOUT (BOTTOM VIEW)



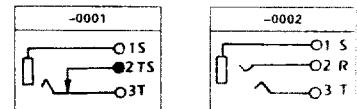
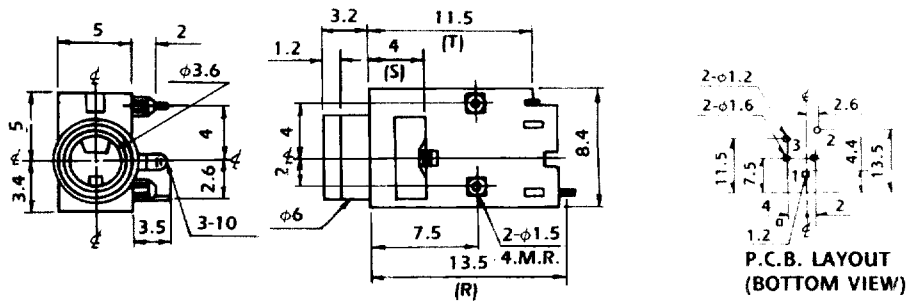
(Other configurations available upon request.)

# 3.5 $\phi$ EARPHONE JACK

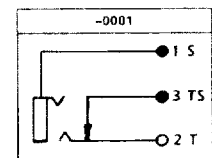
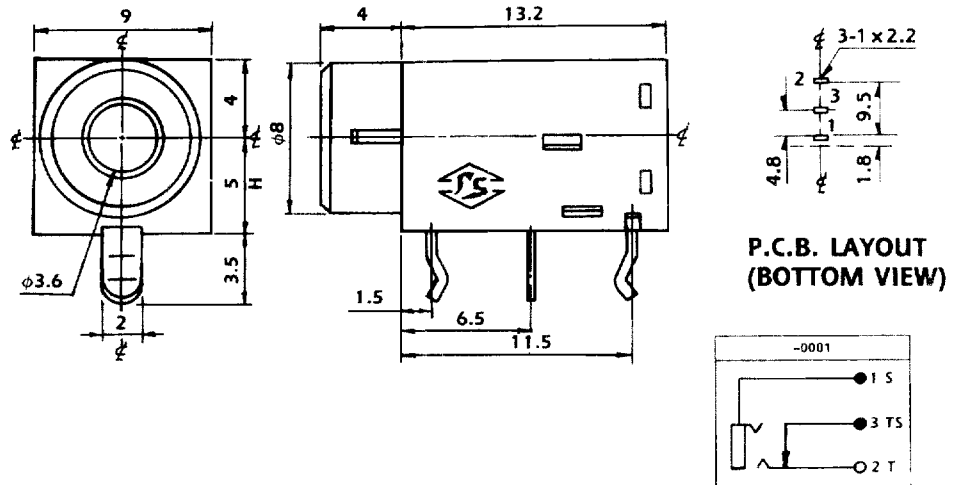
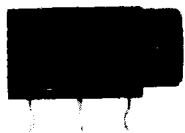
60-0333-0XXX



60-0334-0XXX STEREO



60-0335-0XXX



(Other configurations available upon request.)