

# W-METAL SHELL — RECEPTACLE — POTTING

## TYPE WB1P TYPE WB2P

Mates with Plug  
Types WA, WC, WD

## TYPE WC1P TYPE WC2P

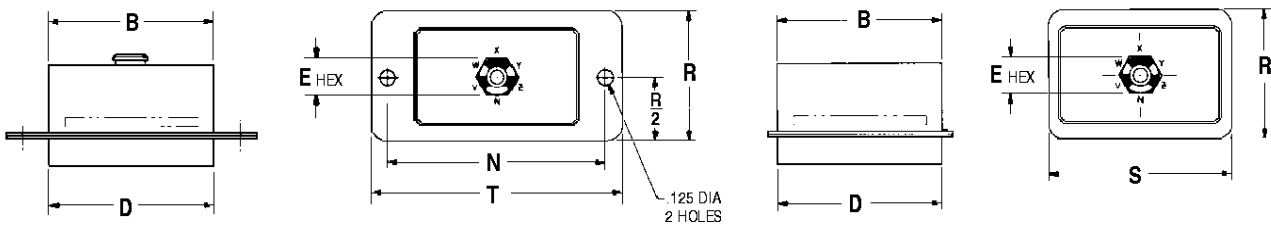
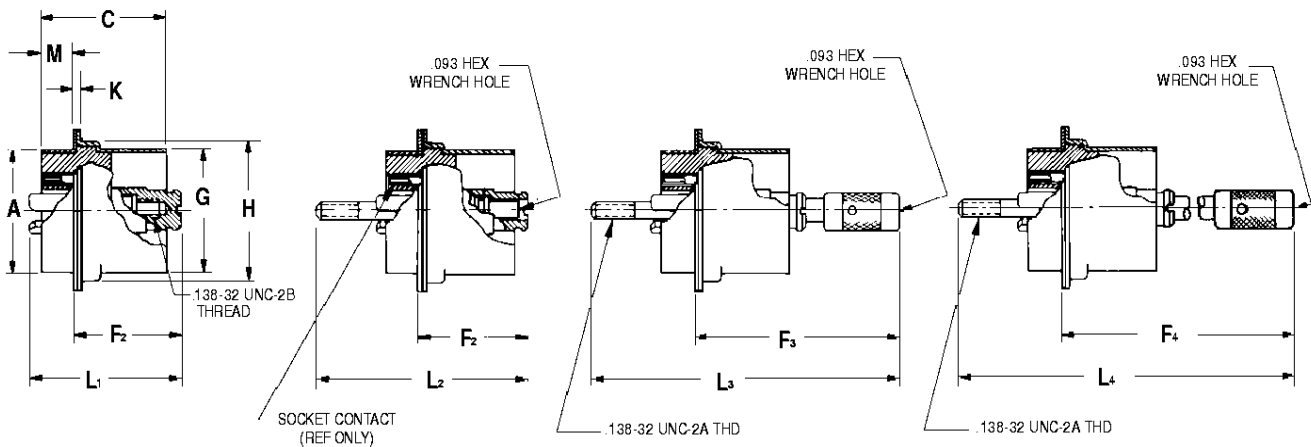
Mates with Plug  
Type WB

## TYPE WA1P TYPE WA2P

Mates with Plug  
Type WB

## TYPE WD1P TYPE WD2P

Mates with Plug  
Type WB



SHELL SIZE	A MAX	B MAX	C	D MAX	E HEX	F <sub>2</sub> MAX	F <sub>3</sub> MAX	F <sub>4</sub> MAX	G MAX	H MAX	K	L <sub>1</sub> MAX	L <sub>2</sub> MAX	L <sub>3</sub> MAX	L <sub>4</sub> MAX	M	N ±.015	R ±.015	S ±.015	T ±.015
10	.432	1.156	.861	1.108	.312	.760	1.360	2.008	.478	.578	.032	1.123	1.625	2.207	2.840	.216	1.625	.725	1.308	1.945
12	.432	1.996	.861	1.948	.312	.760	1.360	2.008	.478	.578	.032	1.123	1.625	2.207	2.840	.216	2.460	.725	2.148	2.780
14	.781	1.380	.861	1.332	.312	.760	1.360	2.008	.830	.930	.032	1.123	1.625	2.207	2.840	.216	1.718	1.077	1.532	1.990
16	.616	2.004	.861	1.956	.312	.760	1.360	2.008	.655	.755	.032	1.123	1.625	2.207	2.840	.216	2.470	.902	2.156	2.790
18	.626	3.342	.861	3.307	.312	.760	1.360	2.008	.655	.755	.036	1.123	1.625	2.207	2.840	.216	3.808	.902	3.494	4.128