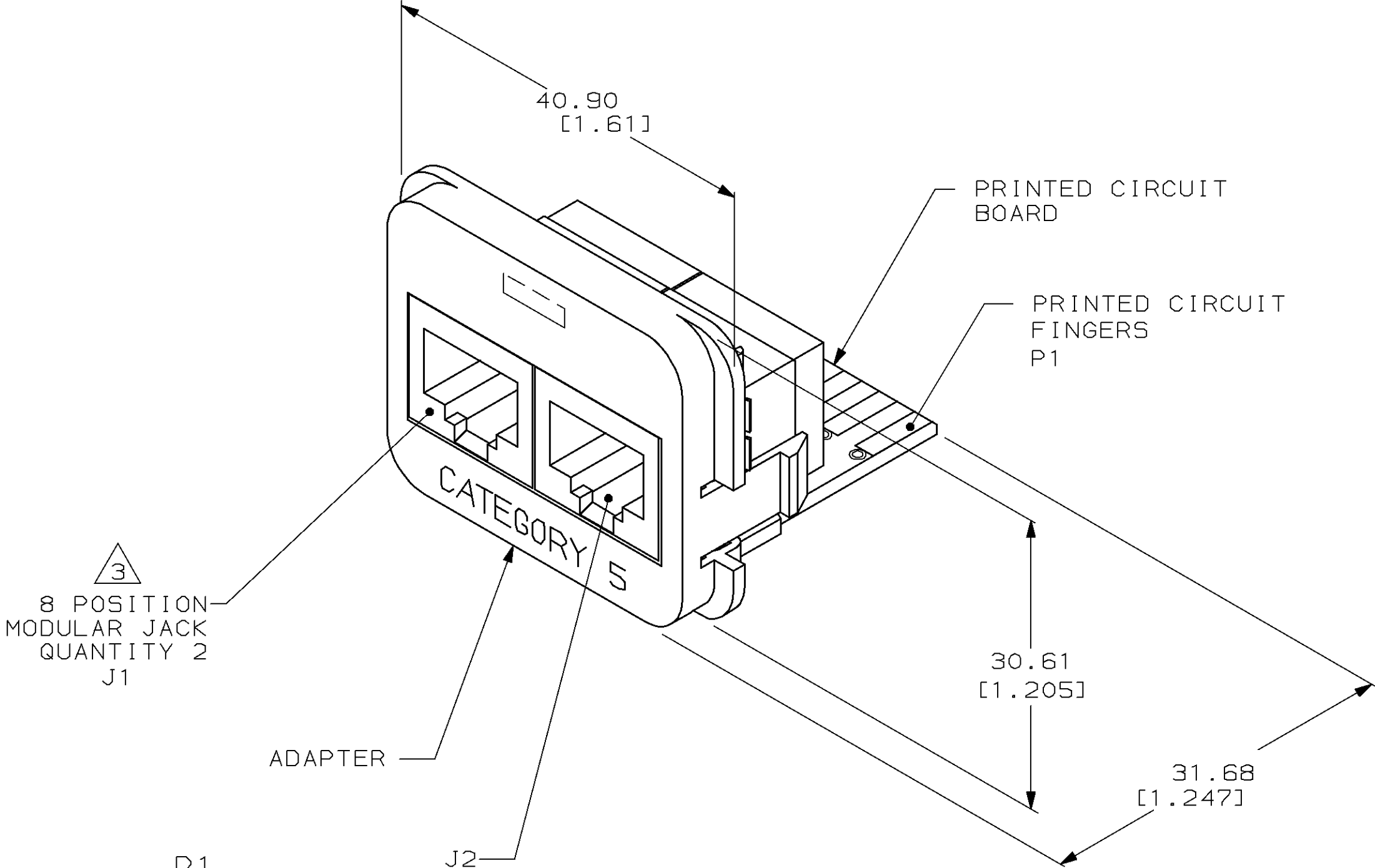
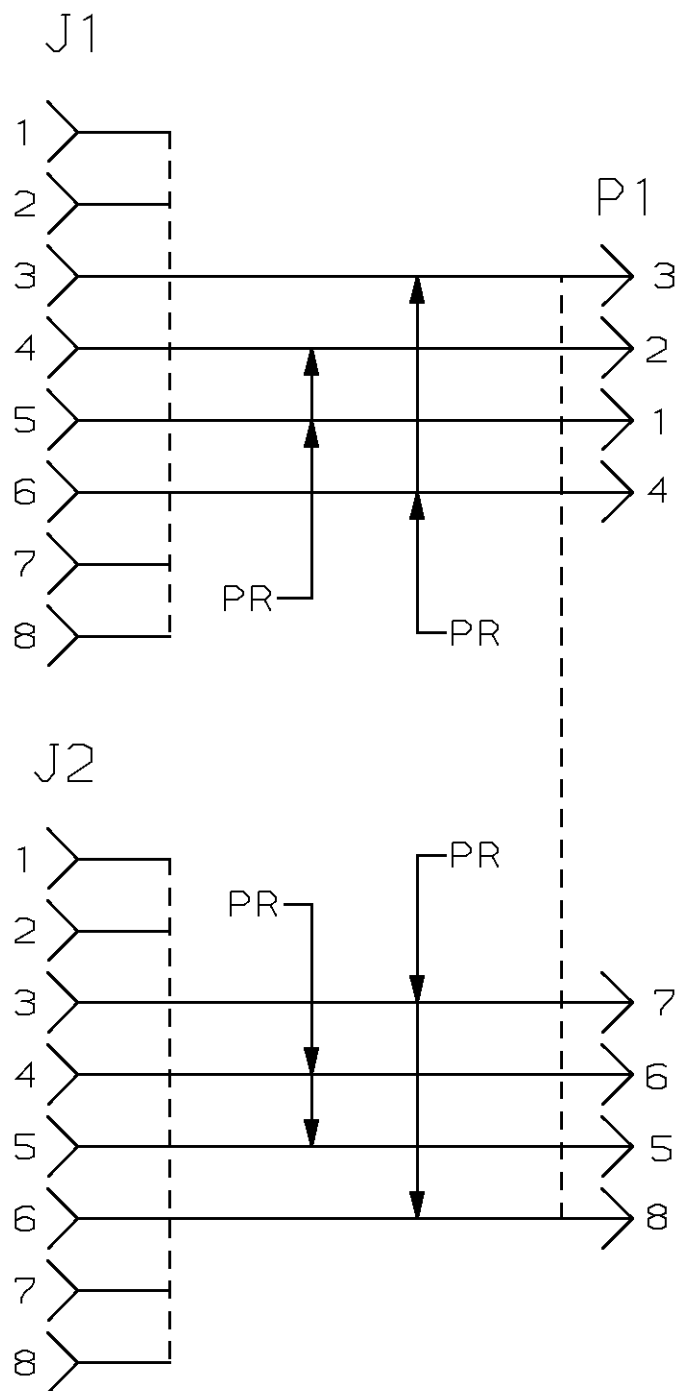


LOC	DIST	P	F	ZONE	LTR	DESCRIPTION	DATE	APPD
AA	28				A	ADD: -6; NPR C97-101 & EC 0502-0347-97	16JUN97	GG GB



- ① DIMENSIONS ARE MAXIMUM.
- ② MATERIAL: PRINTED CIRCUIT BOARD- LAMINATED PLASTIC SHEET, 1.57 [.062] THICK. ADAPTER-ABS MOLDING COMPOUND, SEE TABLE. PRINTED CIRCUIT FINGERS-0.51µm [.000020] MINIMUM GOLD PLATE OVER 1.27µm [.000050] MINIMUM NICKEL PLATE.
- ③ THESE INTERCONNECTS MEET THE REQUIREMENTS OF IEC 603-7.
- 4. THIS INSERT IS DESIGNED TO MATE WITH AMP INC. EDGE CONNECTOR KIT AND WALLBOX KITS.

③ 8 POSITION MODULAR JACK QUANTITY 2 J1



ELECTRICAL SCHEMATIC

BLACK	907-6	IVORY	558907-6
BLACK	907-5	WHITE	558907-5
BLACK	907-4	NEMA GRAY	558907-4
WHITE	907-3	BLACK	558907-3
BLACK	907-1	LIGHT ALMOND	558907-1
MARKING COLOR	CODE NO.	ADAPTER COLOR	PART NO

DO NOT SCALE PRINT. UNLESS SPECIFIED DIMENSIONS IN mm [INCHES] TOLERANCES ON : 2 PLC DEC ± 3 PLC DEC ± ANGLES ±	DR 5-16-94 D. STRAUSSER	AMP Incorporated Harrisburg, PA 17105-3608	
	CHK 6-13-94 C. WHITT		
MATERIAL	APPD 6-20-94 M. MILLER	NAME INSERT ASSEMBLY, DUAL RJ45, EIA, CATEGORY 5 AMP COMMUNICATION OUTLET	
FINISH	PRODUCT SPEC 108-1163	SIZE C	CAGE CODE 00779
	APPLICATION SPEC 114-2048	DRAWING NO G=558907	
WEIGHT	-	SCALE 2:1	SHEET 1 OF 1

THIS DRAWING IS A CONTROLLED DOCUMENT FOR AMP INCORPORATED. IT IS SUBJECT TO CHANGE AND THE CONTROLLING ENGINEERING ORGANIZATION SHOULD BE CONTACTED FOR THE LATEST REVISION.