

### High Voltage Transformers

China

Type: **05B/06B/N06B**

High voltage transformers for oil/gas equipment and high voltage equipment

Industrial Property: Patents 3 (pending)



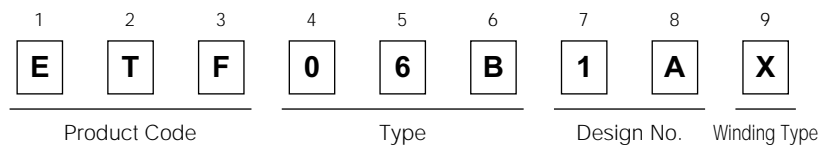
#### ■ Features

- Up-graded safety through a multi-partition bobbin made of nonflammable material
- Nonflammable epoxy resin potted in vacuum state
- Plug-in Connection with a high voltage wire (06B/N06B Type)
- Possible drive by DC1.5 to 12 V combination of step up transformer or AC100 V

#### ■ Recommended Applications

- Ignition transformers for oil/gas equipment
- High voltage applications such as high luminance discharge lamps and welding equipment

#### ■ Explanation of Part Numbers

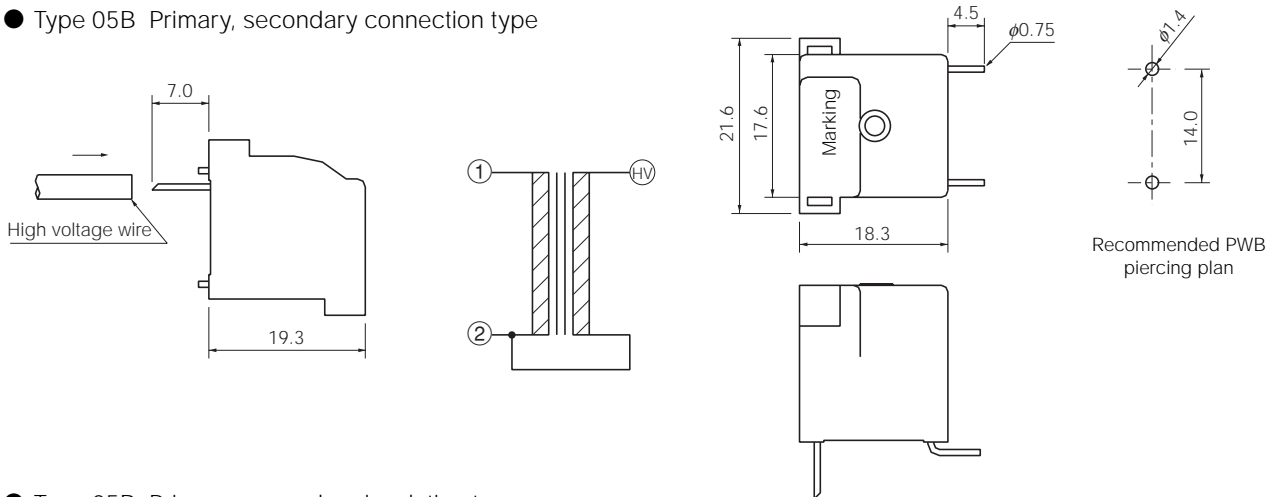


#### ■ Examples

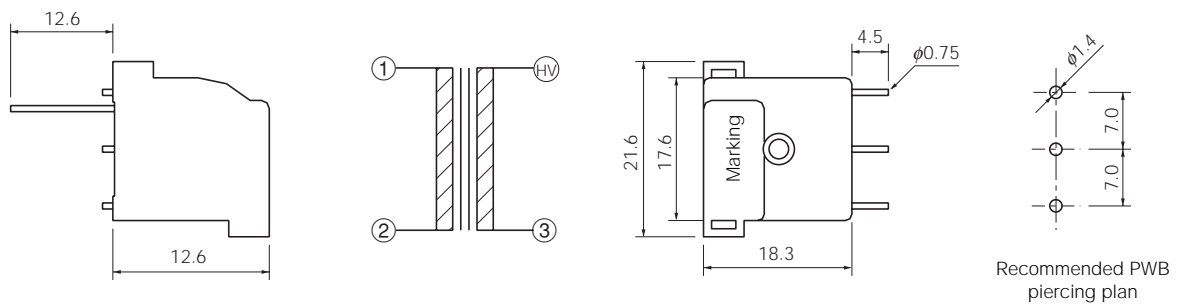
	Characteristics	Specification
AC driving	Input Voltage	AC100 V
	Frequency	60 Hz/50 Hz
DC driving	Oscillation Circuit Voltage	DC1.5 V to 12 V
	Transformers Input Voltage	DC140 V to 200 V
	Frequency	5 Hz to 10 Hz
06B/05B/N06B type	Output High Voltage	AC12 kV [o-p] min.
	Spark Energy	1 mJ min.

■ Dimensions in mm (not to scale)

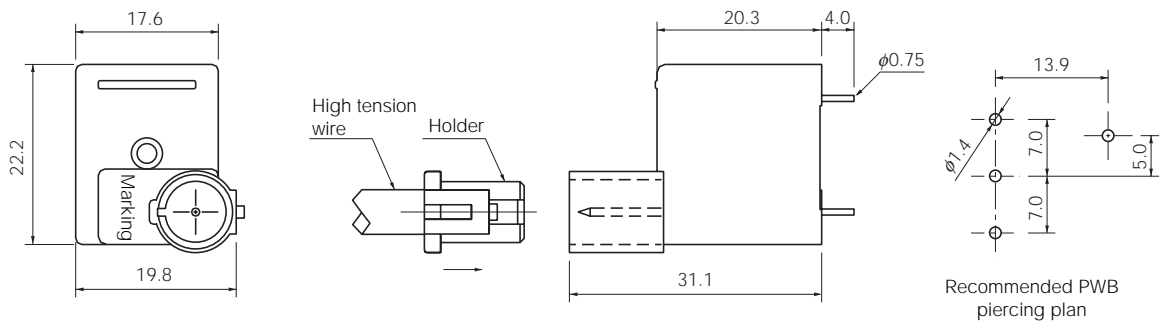
● Type 05B Primary, secondary connection type



● Type 05B Primary, secondary insulation type



● Type N06B



● Type 06B

