

Document No.	
ECN No.	
Date of Issue	September 1987
Status	Preliminary Specification
RF Communications	

TDA7021T

FM radio circuit for MTS

GENERAL DESCRIPTION

The TDA7021T integrated radio receiver circuit is for portable radios, stereo as well as mono, where a minimum of periphery is important in terms of small dimensions and low cost. It is fully compatible for applications using the low-voltage micro tuning system (MTS). The IC has a frequency locked loop (FLL) system with an intermediate frequency of 76 kHz. The selectivity is obtained by active RC filters. The only function to be tuned is the resonant frequency of the oscillator. Interstation noise as well as noise from receiving weak signals is reduced by a correlation mute system.

Special precautions have been taken to meet local oscillator radiation requirements. Because of the low intermediate frequency, low pass filtering of the MUX signal is required to avoid noise when receiving stereo. 50 kHz roll-off compensation, needed because of the low pass characteristic of the FLL, is performed by the integrated LF amplifier. For mono application this amplifier can be used to directly drive an earphone. The field-strength detector enables field-strength dependent channel separation control.

Features

- RF input stage
- Mixer
- Local oscillator
- IF amplifier/limiter
- Frequency detector
- Mute circuit
- MTS compatible
- Loop amplifier
- Internal reference circuit
- LF amplifier for
 - mono earphone amplifier or
 - MUX filter
- Field-strength dependent channel separation control facility

QUICK REFERENCE DATA

parameter	conditions	symbol	min.	typ.	max.	unit
Supply voltage (pin 4)		$V_p = V_{4-3}$	1,8	—	6,0	V
Supply current	$V_p = 3\text{ V}$	I_4	—	6,3	—	mA
RF input frequency		f_{rf}	1,5	—	110	MHz
Sensitivity (e.m.f.) for –3 dB limiting	source impedance = 75 Ω ; mute disabled	EMF	—	4	—	μV
Signal handling (e.m.f.)	source impedance = 75 Ω	EMF	—	200	—	mV
AF output voltage		V_o	—	90	—	mV

FM radio circuit for MTS

TDA7021T

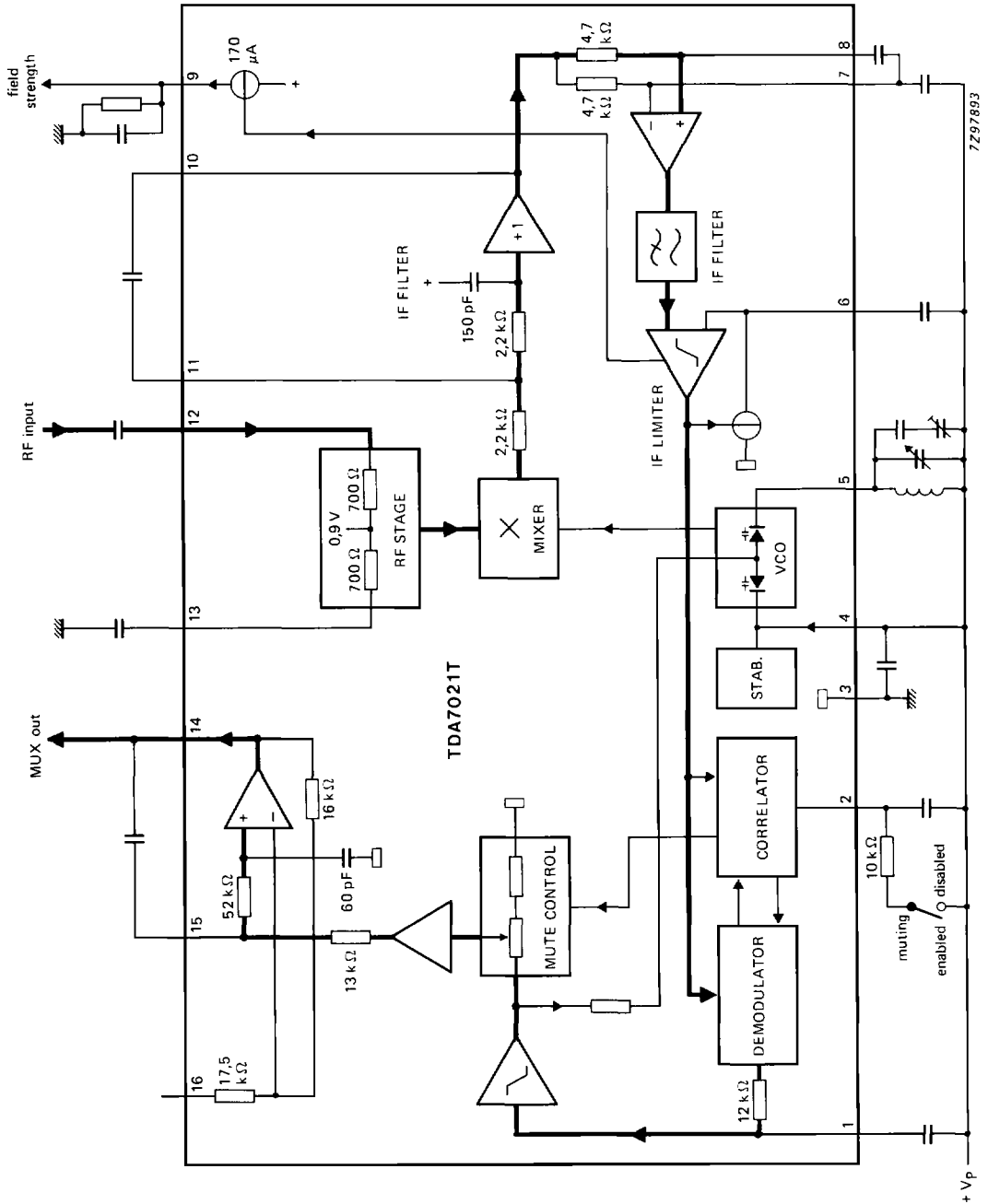


Fig. 1 Block diagram.

FM radio circuit for MTS

TDA7021T

RATINGS

Limiting values in accordance with the Absolute Maximum System (IEC 134)

parameter	conditions	symbol	min.	max.	unit
Supply voltage (pin 4)		$V_p = V_{4-3}$	—	7,0	V
Oscillator voltage		V_{5-4}	$V_p - 0,5$	$V_p + 0,5$	V
Storage temperature range		T_{stg}	-55	+150	°C
Operating ambient temperature range		T_{amb}	-10	+70	°C

THERMAL RESISTANCE

From junction to ambient

 $R_{th\ j-a}$ 300 K/W

DC CHARACTERISTICS

 $V_p = 3\text{ V}$, $T_{amb} = 25\text{ °C}$, measured in circuit of Fig. 4, unless otherwise specified

parameter	conditions	symbol	min.	typ.	max.	unit
Supply voltage (pin 4)		$V_p = V_{4-3}$	1,8	3,0	6,0	V
Supply current	$V_p = 3\text{ V}$	I_4	—	6,3	—	mA
Oscillator current		I_5	—	250	—	μA
Voltage at pin 13		V_{13-3}	—	0,9	—	V
Output voltage (pin 14)		V_{14-3}	—	1,3	—	V

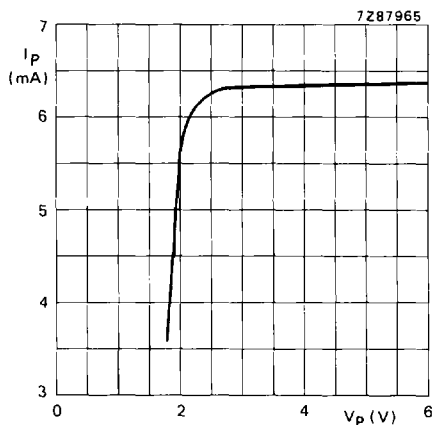


Fig. 2 Supply current as a function of the supply voltage.

FM radio circuit for MTS

TDA7021T

AC CHARACTERISTICS (MONO OPERATION)

$V_p = 3 \text{ V}$; $T_{amb} = 25 \text{ }^\circ\text{C}$; measured in Fig. 5; $f_{rf} = 96 \text{ MHz}$ modulated with $\Delta f = \pm 22,5 \text{ kHz}$;
 $f_m = 1 \text{ kHz}$; $EMF = 0,3 \text{ mV}$ (e.m.f. at a source impedance of $75 \text{ } \Omega$); r.m.s. noise voltage measured
 unweighted ($f = 300 \text{ Hz}$ to 20 kHz); unless otherwise specified

parameter	conditions	symbol	min.	typ.	max.	unit
Sensitivity (e.m.f.) for -3 dB limiting for -3 dB muting for $(S+N)/N = 26 \text{ dB}$	see Fig. 3 muting disabled	EMF	—	4,0	—	μV
		EMF	—	5,0	—	μV
		EMF	—	7,0	—	μV
Signal handling (e.m.f.)	THD < 10%; $\Delta f = \pm 75 \text{ kHz}$	EMF	—	200	—	mV
Signal-to-noise ratio		$(S+N)/N$	—	60	—	dB
Total harmonic distortion	$\Delta f = \pm 22,5 \text{ kHz}$ $\Delta f = \pm 75 \text{ kHz}$	THD	—	0,7	—	%
		THD	—	2,3	—	%
AM suppression of output voltage	ratio of AM signal ($f_m = 1 \text{ kHz}$; $m = 80\%$) to FM signal ($f_m =$ 1 kHz ; $\Delta f = 75 \text{ kHz}$)	AMS	—	50	—	dB
Ripple rejection	$\Delta V_p = 100 \text{ mV}$; $f = 1 \text{ kHz}$	RR	—	30	—	dB
Oscillator voltage (r.m.s. value)		$V_{5-4(\text{rms})}$	—	250	—	mV
Variation of oscillator frequency with supply voltage	$\Delta V_p = 1 \text{ V}$	$\frac{\Delta f_{osc}}{\Delta V_p}$	—	5	—	kHz/V
Variation of oscillator frequency with temperature		$\frac{\Delta f_{osc}}{\Delta T}$	—	0,2	—	kHz/K
Selectivity	see Fig. 9; no modulation	S+300	—	46	—	dB
		S-300	—	30	—	dB
AFC range		$\pm \Delta f_{rf}$	—	160	—	kHz
Mute range		$\pm \Delta f_{rf}$	—	120	—	kHz
Audio bandwidth	$\Delta V_o = 3 \text{ dB}$; measured with $50 \text{ } \mu\text{s}$ pre-emphasis	B	—	10	—	kHz
AF output voltage (r.m.s. value)	R_L (pin 14) = $100 \text{ } \Omega$	$V_o(\text{rms})$	—	90	—	mV
AF output current max. d.c. load max. a.c. load (peak value)	THD = 10%	$I_o(\text{dc})$	-100	—	+100	μA
		$I_o(\text{ac})$	—	3	—	mA

FM radio circuit for MTS

TDA7021T

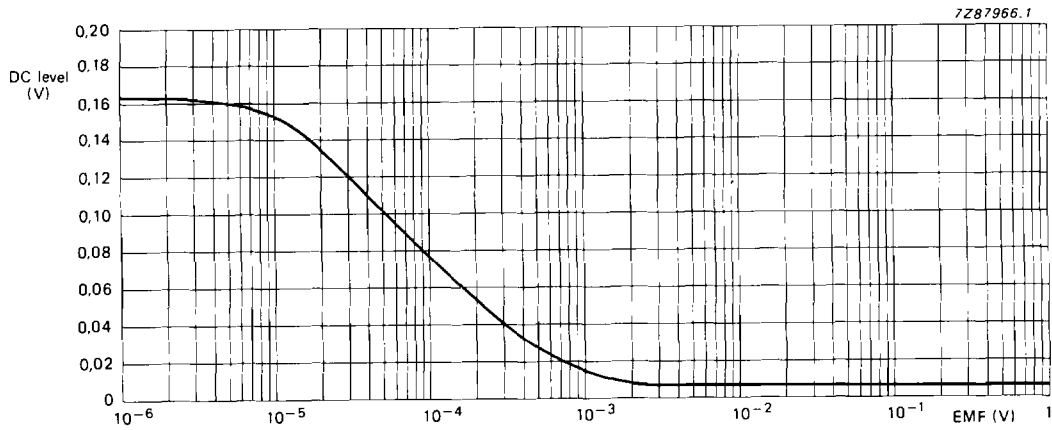


Fig. 3 Field strength voltage ($V_{g.3}$) at $R_{source} = 1 \text{ k}\Omega$; $f = 96,75 \text{ MHz}$; $V_p = 3 \text{ V}$.

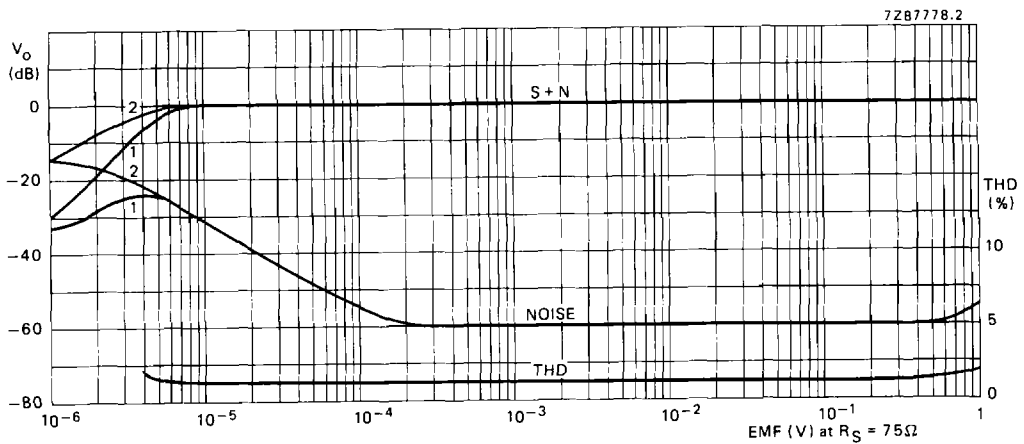
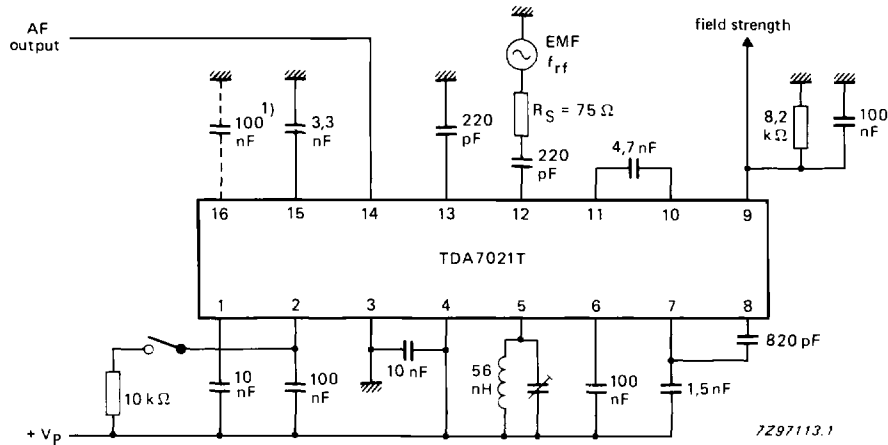


Fig. 4 Mono operation: AF output voltage (V_O) and total harmonic distortion (THD) as functions of input e.m.f. (EMF); $R_{source} = 75 \Omega$; $f_{rf} = 96 \text{ MHz}$; $0 \text{ dB} = 90 \text{ mV}$. For S+N and noise curves (1) is with muting enabled and (2) is with muting disabled; signal $\Delta f = \pm 22,5 \text{ kHz}$ and $f_m = 1 \text{ kHz}$. For THD curve, $\Delta f = \pm 75 \text{ kHz}$ and $f_m = 1 \text{ kHz}$.

FM radio circuit for MTS

TDA7021T



1) The AF output can be decreased by disconnecting the 100 nF capacitor from pin 16.

Fig. 5 Test circuit for mono operation.

AC CHARACTERISTICS (STEREO OPERATION)

V_p = 3 V; T_{amb} = 25 °C; measured in Fig. 8; f_{rf} = 96 MHz modulated with pilot Δf = ± 6,75 kHz and AF signal Δf = ± 22,5 kHz; f_m = 1 kHz; EMF = 1 mV (e.m.f. at a source impedance of 75 Ω); r.m.s. noise voltage measured unweighted (f = 300 Hz to 20 kHz); unless otherwise specified

parameter	conditions	symbol	min.	typ.	max.	unit
Sensitivity (e.m.f.) for (S+N)/N = 26 dB	see Fig. 8; pilot off	EMF	—	11	—	μV
Selectivity	see Fig. 9; no modulation	S+300	—	40	—	dB
		S-300	—	22	—	dB
Signal-to-noise ratio		(S+N)/N	—	50	—	dB
Channel separation	V _i = L-signal; f _m = 1 kHz; pilot on: at f _{rf} = 97 MHz at f _{rf} = 87,5 MHz and 108 MHz	α	—	26	—	dB
		α	—	14	—	dB

FM radio circuit for MTS

TDA7021T

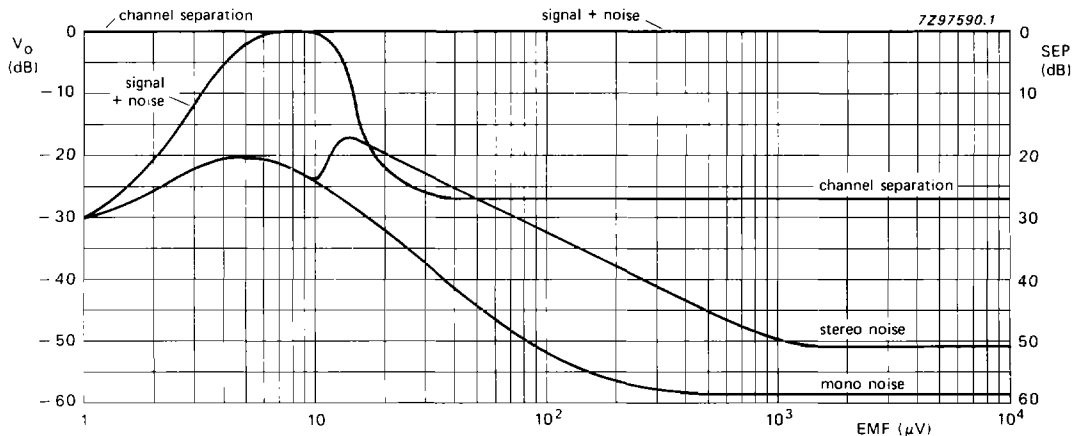


Fig. 6 Stereo operation: signal/noise and channel separation of TDA7021T when used in the circuit of Fig. 8.

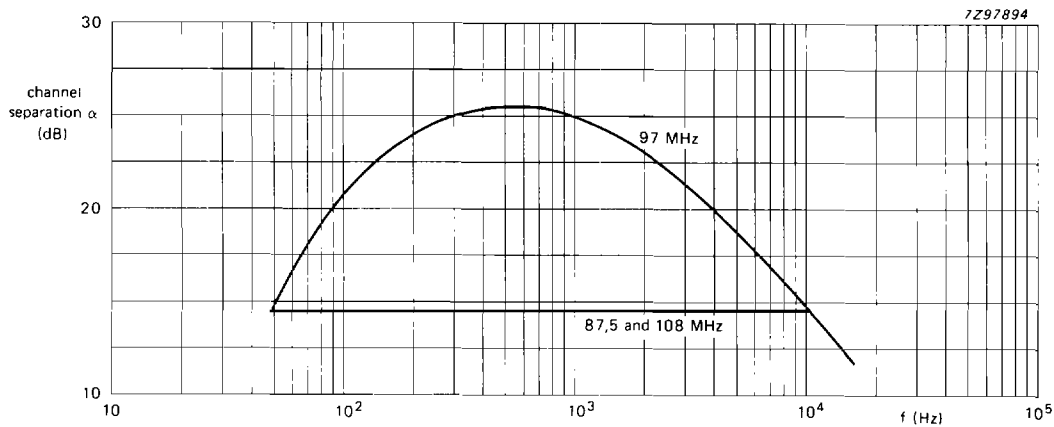


Fig. 7 Stereo operation: channel separation as a function of audio frequency in the circuit of Fig. 8.

FM radio circuit for MTS

TDA7021T

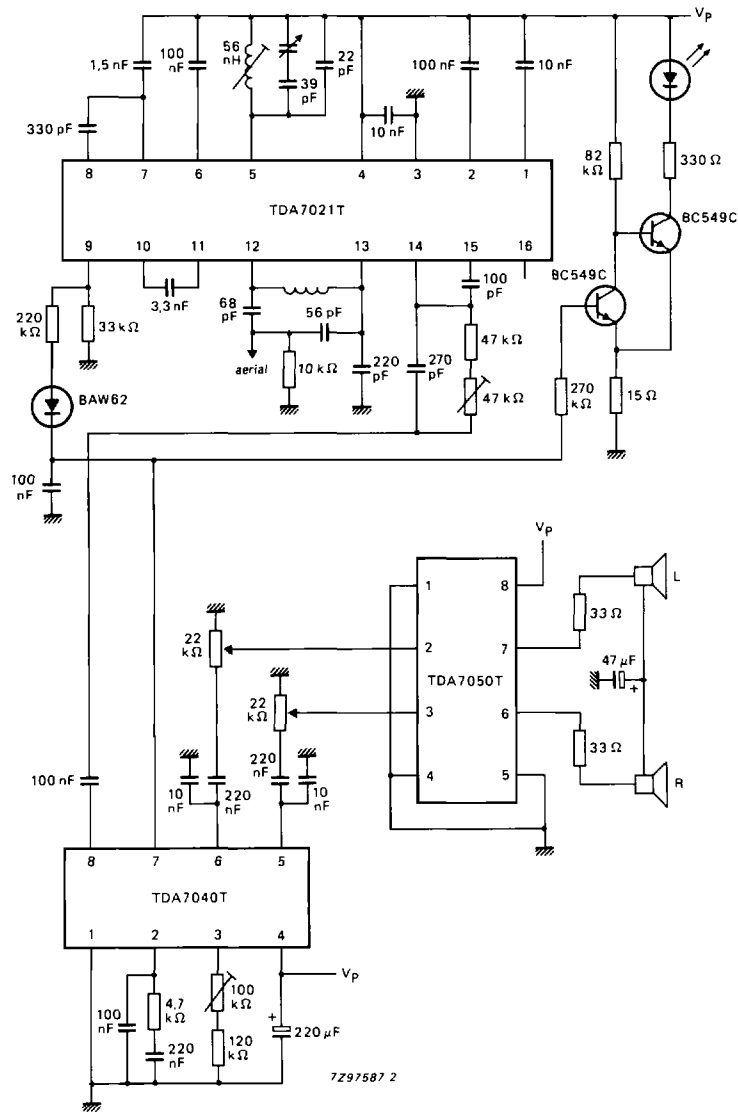


Fig. 8 Stereo application in combination with a low voltage PLL stereo decoder (TDA7040T) and a low voltage mono/stereo power amplifier (TDA7050T).

FM radio circuit for MTS

TDA7021T

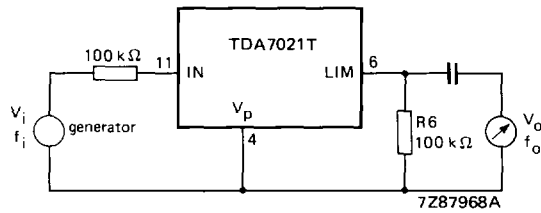


Fig. 9 Test set-up, $V_i = 30 \text{ mV}$; $f_i = 76 \text{ kHz}$; selective voltmeter at output has $R_i \geq 1 \text{ M}\Omega$ and $C_i \leq 8 \text{ pF}$, $f_o = f_i$.

Note to Fig. 9

This test set-up is to incorporate the circuit of Fig. 5 for mono operation or the circuit of Fig. 8 for stereo operation. For either circuit, replace the 100 nF capacitor at pin 6 with $R6$ ($100 \text{ k}\Omega$) as shown above.

Selectivity

$$S_{+300} = 20 \log \frac{V_o | (300 \text{ kHz} - f_i)}{V_o | f_i}$$

$$S_{-300} = 20 \log \frac{V_o | (300 \text{ kHz} + f_i)}{V_o | f_i}$$