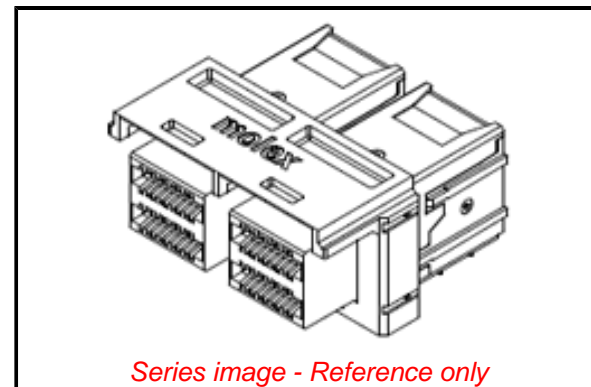


**PLEASE CHECK WWW.MOLEX.COM FOR LATEST PART INFORMATION**

**Part Number:** [0768671012](#)  
**Status:** **Active**  
**Overview:** iPass+ HD Interconnect System  
**Description:** iPass+ HD Internal Cable and Connector Assembly, 1x2 , 0.76µm, Lead-Free

**Documents:**

<a href="#">3D Model</a>	<a href="#">Application Specification AS-76867-002-001 (PDF)</a>
<a href="#">Drawing (PDF)</a>	<a href="#">Packaging Specification PK-76867-001-001 (PDF)</a>
<a href="#">3D Model (PDF)</a>	<a href="#">Test Summary TS-76866-1004-001 (PDF)</a>
<a href="#">Product Specification PS-76867-001-001 (PDF)</a>	<a href="#">Test Summary TS-76867-001-001 (PDF)</a>
<a href="#">Application Specification AS-76867-001-001 (PDF)</a>	<a href="#">RoHS Certificate of Compliance (PDF)</a>



**Agency Certification**

CSA	LR19980
UL	E107635

**General**

Product Family	I/O Connectors
Series	<a href="#">76867</a>
Application	Wire-to-Board
Component Type	Internal Receptacle
Electrical Model	Yes
Overview	<a href="#">iPass+ HD Interconnect System</a>
Product Name	iPass+
Taxonomy	High-Speed Pluggable Connector
Type	N/A
UPC	887191049229

**Physical**

Circuits (Loaded)	72
Circuits (maximum)	72
Color - Resin	Black
Durability (mating cycles max)	250
Flammability	94V-0
Lock to Mating Part	Yes
Material - Metal	High Performance Alloy (HPA)
Material - Plating Mating	Gold
Material - Plating Termination	Tin
Material - Resin	High Temperature Thermoplastic
Net Weight	8.145/g
Number of Rows	1
Orientation	Right Angle
PCB Locator	Yes
PCB Retention	Yes
PCB Thickness - Recommended	1.37mm
Packaging Type	Tray
Panel Mount	No
Pitch - Mating Interface	0.75mm
Pitch - Termination Interface	0.75mm
Plating min - Mating	0.762µm, 1.524µm
Polarized to Mating Part	Yes
Polarized to PCB	Yes
Ports	2
Temperature Range - Operating	-40° to +80°C
Termination Interface: Style	Through Hole - Compliant Pin

**Electrical**

**EU ELV**

**Not Relevant**

**EU RoHS**

**Compliant**

**REACH SVHC**

Not Contained per -  
D(2022)9120-DC (17  
Jan 2023)

**Halogen-Free**

**Status**

**Low-Halogen**

For more information, please visit [Contact US](#)

China ROHS

ELV

RoHS Phthalates

**China RoHS**

Green Image

Not Relevant

Not Contained

**Search Parts in this Series**

[76867 Series](#)

**Mates With**

[100189](#) , [100171](#) , [100190](#) , [100219](#) ,  
[100172](#) , [100220](#) , [100221](#) , [100222](#) ,  
[100223](#) , [100224](#) , [100225](#) , [100226](#)

Current - Maximum per Contact  
Voltage - Maximum

1.0A  
30V AC (RMS)/DC

**Solder Process Data**

Lead-free Process Capability

N/A

**Material Info**

**Reference - Drawing Numbers**

Application Specification  
Electrical Model Document  
Packaging Specification  
Product Specification  
S-Parameter Model

AS-76867-001-001, AS-76867-002-001  
EE-76866-1004-001  
PK-76867-001-001  
PS-76867-001-001  
SP-76866-001-001, SP-76866-100-001,  
SP-76866-1004-001  
SD-76867-1000-001  
TS-76866-1004-001, TS-76867-001-001

Sales Drawing  
Test Summary

This document was generated on 03/24/2023

**PLEASE CHECK [WWW.MOLEX.COM](http://WWW.MOLEX.COM) FOR LATEST PART INFORMATION**