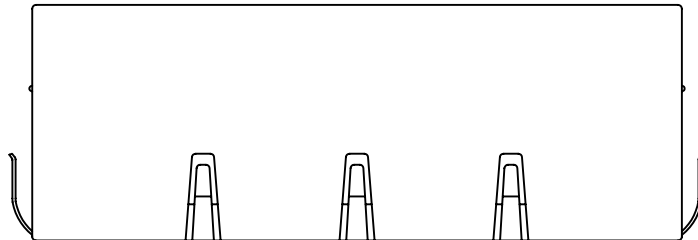
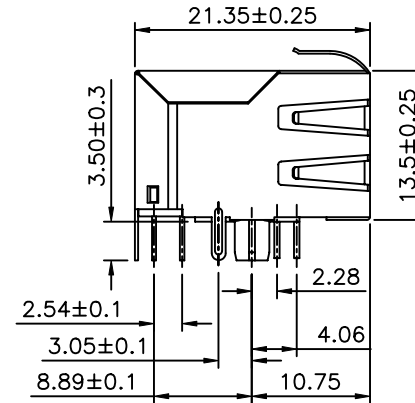
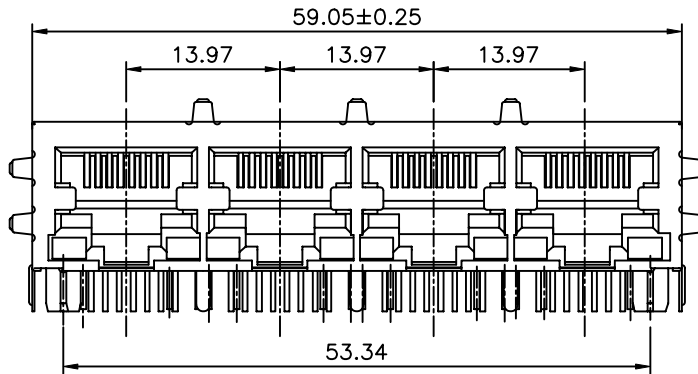
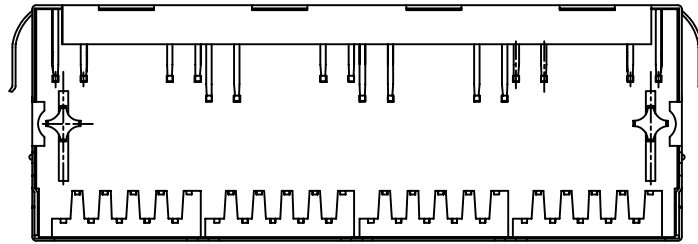


**SPECIFICATION**

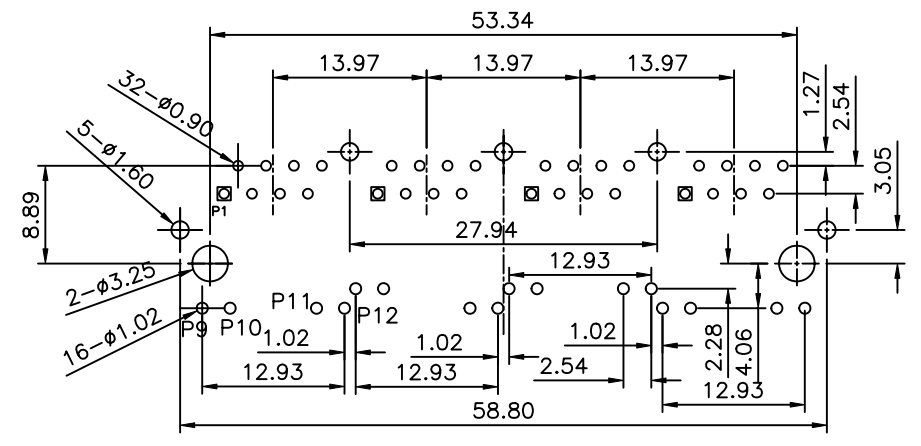
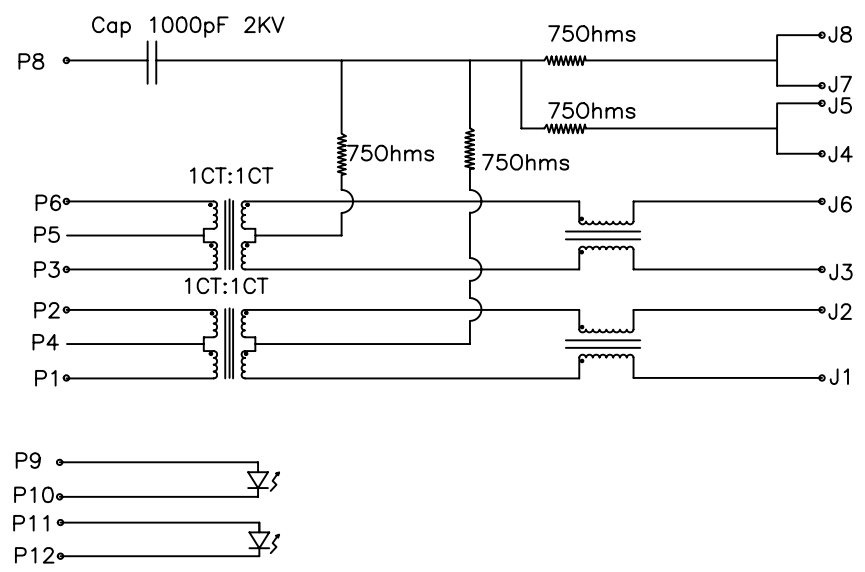
Housing:Thermoplastic UL94V-0  
 Contact:Copper Alloy  
 Contact Plating:Selective Gold  
 In Contact Area  
 Shield:Copper Alloy  
 Shield Plating:Nickel  
 Pin Not Electrically Connected Maybe Omitted See  
 Electrical Drawing For Omitted Pins  
 Tolerances Comply With F.C.C Dimension Requirements  
 Wave Solder Compatible-Preheat 125°C 90S  
 RoHS Compliant



Code	Forward	Reverse
G	Green	---
Y	Yellow	---
R	Red	---
J	Green	Orange
A	Green	Red
D	Yellow	Red
C	Green	Yellow
E	Yellow	Green
F	Red	Green
H	Red	Yellow
M	Orange	Green

**AUK** A MEMBER OF AUK GROUP  
**太聯事業股份有限公司**  
**AUK CONTRACTORS CO., LTD.**

CATEGORY		APPROVED BY		UNLESS OTHERWISE SPECIFIED TOLERANCES ARE .X ±0.25 .XX ±0.25 ANG.						
PART No. MJULL45X04FFXXXXT-H		MEI								
DRAWING No. MJULL45X04FFXXXXT-H		CHECKED BY								
		HZF								
		DRAWING BY								
		HYY								
SCALE	NONE	REV.	A0	UNIT mm	⊕	△ A0	NEW RELEASE	HZF	06/05/2008	
						NO.REV.	REVISIONS	CHK	DATE	



P.C.B Recommended Hole Layout Seen From Component Side  
All Centerline Dimensions Are Basic

Electrical Specifications

- 1.0 Turn Ratio:(P1~P2):(J1~J2):1:1±3%  
(P3~P6):(J3~J6):1:1±3%
- 2.0 Inductance:(P1~P2) 350uH Min @0.1V 100KHz 8mA DC Bias  
(P3~P6) 350uH Min @0.1V 100KHz 8mA DC Bias
- 3.0 Leakage Inductance:P1~P2(With J1 And J2 Short):0.35uH Max @1MHz  
P3~P6(With J3 And J6 Short):0.35uH Max @1MHz
- 4.0 Interwinding Capacitance:(P1~P2):(J1~J2):35pF Max @1MHz  
(P3~P6):(J3~J6):35pF Max @1MHz
- 5.0 DC Resistance:(J1~J2):(J3~J6):1.2 Ohms Max
- 6.0 Return Loss:1MHz To 30MHz:-18dB Min  
30MHz To 80MHz:-12dB Min
- 7.0 Dielectric Withstand:(P1~P2):(J1~J2):1500V AC  
(P3~P6):(J3~J6):1500V AC
- 8.0 Insertion Loss:RS=RL=1000HM,100KHz To 80MHz:-1.1dB Min
- 9.0 Cross Talk:1MHz To 100MHz 35dB TYP
- 10.0 Common To Common Mode Attenuation:30MHz To 100MHz:30dB TYP

**AUK** A MEMBER OF AUK GROUP  
**太聯事業股份有限公司**  
**AUK CONTRACTORS CO., LTD.**

CATEGORY		APPROVED BY		UNLESS OTHERWISE SPECIFIED TOLERANCES ARE .X ±0.25 .XX ±0.25 ANG.				
PART No. MJULL45X04FFXXXXT-H		MEI						
DRAWING No. MJULL45X04FFXXXXT-H		HZZ						
SCALE		REV.		UNIT		NO.REV.		
NONE		AO		mm		A0		
				DRAWING BY		NEW RELEASE		
				HYY		HZF		
				REV.		REVISIONS		
				AO		CHK		
				7		DATE		
						06/05/2008		