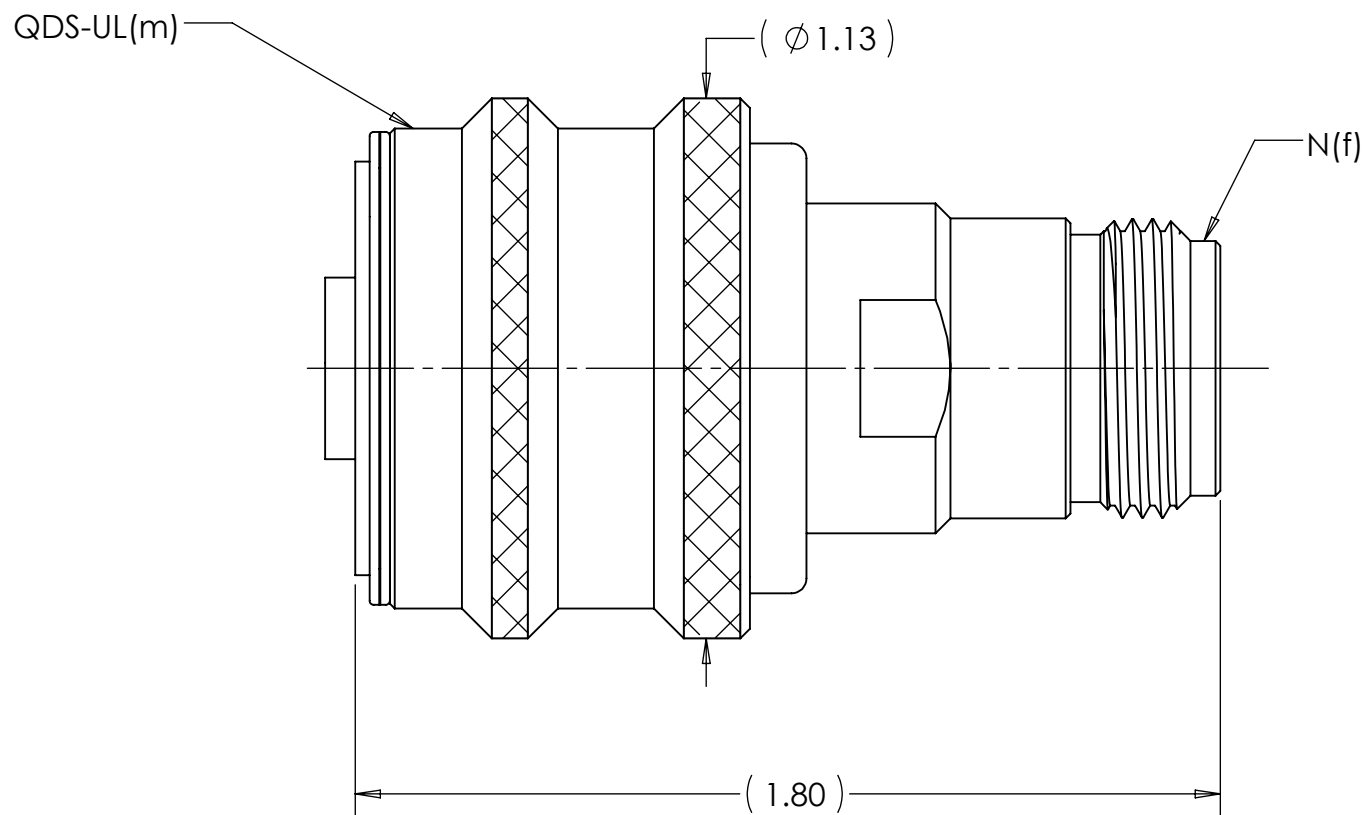
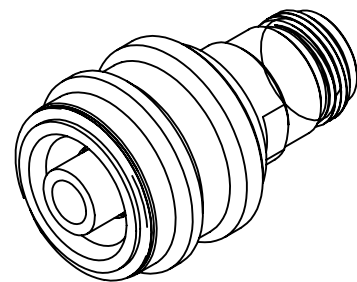


This document, including the design, configuration and mechanical features revealed herein are the sole, confidential and proprietary property of TRU Corporation. Reproduction or use thereof, in whole or part, is prohibited without the prior written consent of TRU Corporation.

REV.	DESCRIPTION	DATE	APPROVED
-	ORIGINAL ISSUE	04/05/13	AM



ENGINEERING DATA


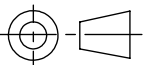
ELECTRICAL:
IMPEDANCE: 50 OHMS NOMINAL

MECHANICAL:
INTERFACE: QDS-UL(m) PER TRU STANDARD
N(f) per MIL-ST-348 fig. 304-2

MATERIAL:
CONTACTS: BERYLLIUM COPPER
INSULATORS: PTFE
HOUSING: BRASS

FINISH:
CONTACTS: SILVER PLATED
HOUSING: NICKEL PLATED

NOTES:
1. UNLESS OTHERWISE SPECIFIED; ALL DIMENSIONS ARE FOR REFERENCE ONLY.

MATERIAL	DO NOT SCALE DRAWING	DRAWN AM	DATE 04/03/13	 TRU Corporation 245 Lynnfield St, Peabody, MA 01960 <small>EXPERIENCE. TRU INNOVATION.</small>		
	UNLESS OTHERWISE SPECIFIED: DIMENSIONS ARE IN INCHES TOLERANCES: FRACTIONS: ±1/64 .XX : ±.01 .XXX: ±.005 ANGLES: ±1/2° MACHINED SURFACES: 63/√	ENG APPR. AM	DATE 04/03/13		TITLE: CONNECTOR COAXIAL QDS-UL(m) to N(f) ADAPTER	
MFG APPR.		DATE				
OTHER APPR.		DATE	THIRD ANGLE PROJECTION 	SIZE B	DWG. NO. TRU-12306	REV -
COMMENTS:				CAGE CODE: 92180	SCALE: 5:2	SHEET 1 OF 1
surface area: sq inch	weight: lbs					