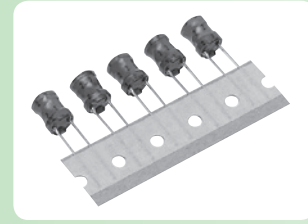


# SBCP-80HY Coils

[RoHS Compliant]



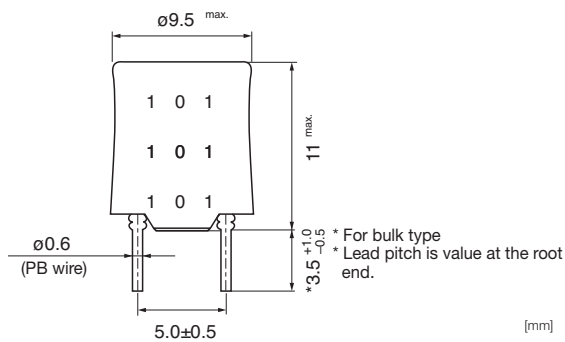
● SBCP-80HY Series (SBCP-80HY□□□H)

Model	Inductance L (μH) at 10kHz, 1mA	DC resistance (Ω) max.	Rated current (A) ΔT=20°C	Current (Reference value) (A)	
				ΔT=40°C	L change rate -10%
SBCP-80HY1R5H	1.5±30%	0.02	4.50	6.30	13.50
SBCP-80HY2R2H	2.2±30%	0.03	4.00	5.60	11.70
SBCP-80HY3R3H	3.3±30%	0.04	3.60	5.00	9.20
SBCP-80HY4R7H	4.7±20%	0.04	3.30	4.60	7.60
SBCP-80HY6R8H	6.8±20%	0.05	3.30	4.60	6.50
SBCP-80HY100H	10±20%	0.05	2.90	4.00	5.30
SBCP-80HY150H	15±20%	0.08	2.50	3.50	4.00
SBCP-80HY220H	22±20%	0.08	2.40	3.30	3.40
SBCP-80HY330H	33±20%	0.09	2.10	2.90	2.70
SBCP-80HY470H	47±10%	0.13	1.90	2.60	2.20
SBCP-80HY680H	68±10%	0.16	1.70	2.30	1.80
SBCP-80HY820H	82±10%	0.24	1.30	1.80	1.70
SBCP-80HY101H	100±10%	0.35	1.10	1.50	1.60
SBCP-80HY151H	150±10%	0.41	1.00	1.40	1.20
SBCP-80HY221H	220±10%	0.52	0.90	1.20	1.00
SBCP-80HY331H	330±10%	0.75	0.70	0.98	0.85
SBCP-80HY471H	470±10%	0.95	0.65	0.91	0.71
SBCP-80HY681H	680±10%	1.40	0.50	0.70	0.58
SBCP-80HY102H	1000±10%	1.89	0.40	0.56	0.48

Package: Bulk 4,000pcs/box  
Tape & reel - 500pcs/AMMO pack 2,000pcs/box

### Shape and Dimensions

● SBCP-80HY Series (SBCP-80HY□□□H)



### Numbering System

SBCP - 80HY - 101 H B

- ① Series
- ② Core size (Outer size x height)

**Model numbers and Core sizes**

The model number (5 digits) consists of core size and inductance as shown below.

Model	Core size [mm]
SBCP-80HY □□□ H	ø8.0x10.0

- ③ Inductance :  $10 \times 10^1 = 100$  (μH)
- ④ Presence of external tube: H shows presence.
- ⑤ Packaging type : No indication for tape type. ;B; indicates bulk type.

\*The presence of an external tube may not be indicated on the surface of sample products.

