



GENERAL OSCILLATOR SPECIFICATION - OC7



Frequency Range	: 1.000 000 to 125.000 000 MHz.			
Frequency Stability	: ± 25.0 ppm, ± 50.0 ppm, ± 100.0 ppm. *1			
All Causes (Maximum)	: ± 25.0 ppm, ± 50.0 ppm, ± 100.0 ppm. *1			
Ageing (Maximum for first year @ 25 ± 3 °C)	: ± 5.0 ppm. *2			
Temperature Range	: 0 to + 70 °C (- 40 to + 85 °C option).			
Operating	: 0 to + 70 °C (- 40 to + 85 °C option).			
Storage	: - 55 to + 125 °C.			
Supply Voltage (± 10.0 %)	: + 5.0 V.	: + 3.3 V.	: + 2.5 V.	: + 1.8 V.
Supply Current (Maximum)	:			
1.000 000 to 23.999 999 MHz	: 20.0 mA.	: 15.0 mA.	: 12.0 mA.	: 10.0 mA.
24.000 000 to 49.999 999 MHz	: 30.0 mA.	: 20.0 mA.	: 15.0 mA.	: 12.0 mA.
50.000 000 to 69.999 999 MHz	: 40.0 mA.	: 30.0 mA.	: 20.0 mA.	: 15.0 mA.
70.000 000 to 125.000 000 MHz	: 60.0 mA.	: 45.0 mA.	: 30.0 mA.	: 25.0 mA.
Output Characteristics	:			
Waveform	: Squarewave.			
Output	: HCMOS / TTL compatible.			
Load (Maximum)	: 30 pF (15 pF Typical) or 10 TTL gates.			
Mark Space Ratio (@ 1/2 V _{CC})	: 40:60 (45:55 option).			
Rise / Fall Times (Maximum)	:			
Rise Time (10 % to 90 % V _{CC})	: 5.0 nS.	: 8.0 nS.	: 7.0 nS.	: 6.0 nS.
Fall Time (90 % to 10 % V _{CC})	: 5.0 nS.	: 8.0 nS.	: 7.0 nS.	: 6.0 nS.
Start up Time (Maximum)	: 10.0 mS.			
Logic Levels	:			
High (Minimum)	: 0.9 V _{CC} .			
Low (Maximum)	: 0.1 V _{CC} .			
Pin 1 (Tri-State) (option)	:			
High or Open	: Enable.			
Low	: Disable.			
Package Style	: 7.00 x 5.00 x 1.50 mm.			
Marking	:			
Line 1	: PDI			
Line 2	: Frequency			
Line 3	: Spec. code			

Revision 001 Created on 30/01/2007 by MS
Revision 002 Updated on 01/02/2008 by MS

Added pages 2,3.

PRECISION DEVICES

USA

TEL: +1 608 831 4445

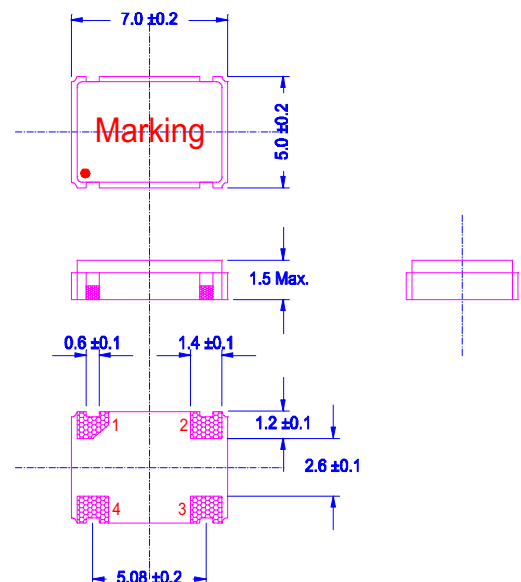
E-MAIL: info@pdixtal.com
ISO 9001, Reg. No. FM 75597

UK

TEL: +44 (0)1223 834 444
E-MAIL: sales@pdixtal.co.uk
ISO 9001, Reg. No. FM 01995

Pin Connections

- 1 Tri-State or Not Connected
- 2 Ground
- 3 Output
- 4 Supply Voltage



All Dimensions and Tolerances are in mm



GENERAL OSCILLATOR SPECIFICATION - OC7



Notes

*1 Inclusive of calibration @ + 25.0 °C, operating temperature range, input voltage variation, load variation, ageing, shock, and vibration.

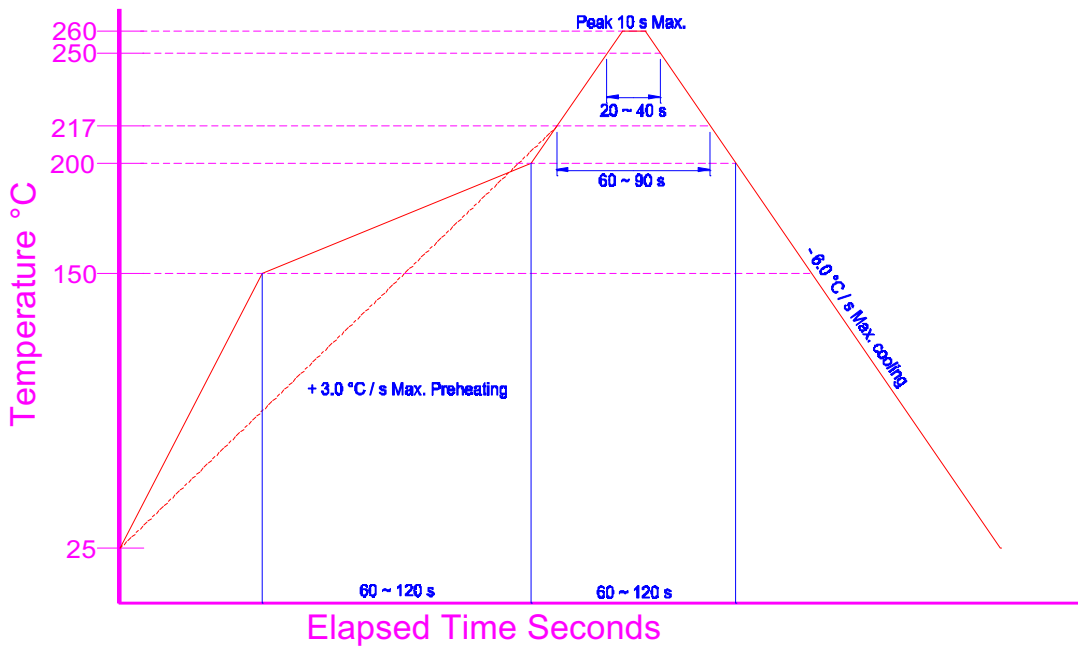
*2 Even though ageing is specified in 'All Causes', see *1, this is a refinement to the 'All Causes' parameter. Terminals to be Au.

All product supplied in anti-static packaging.

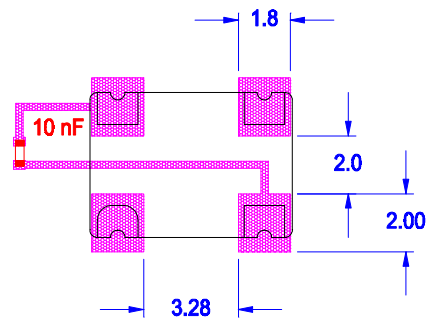
All product is supplied RoHS compliant.

Product can be supplied on Tape and Reel, on reels of 1,000 units.

Reflow Solder Profile



Recommended Solder Pattern



PRECISION DEVICES

USA

TEL: +1 608 831 4445

E-MAIL: info@pdixtal.com

ISO 9001, Reg. No. FM 75597

UK

TEL: +44 (0)1223 834 444

E-MAIL: sales@pdixtal.co.uk

ISO 9001, Reg. No. FM 01995

It is recommended that a 10 nF bypass capacitor should be placed between the Supply and Ground Pins to minimise power supply line noise.

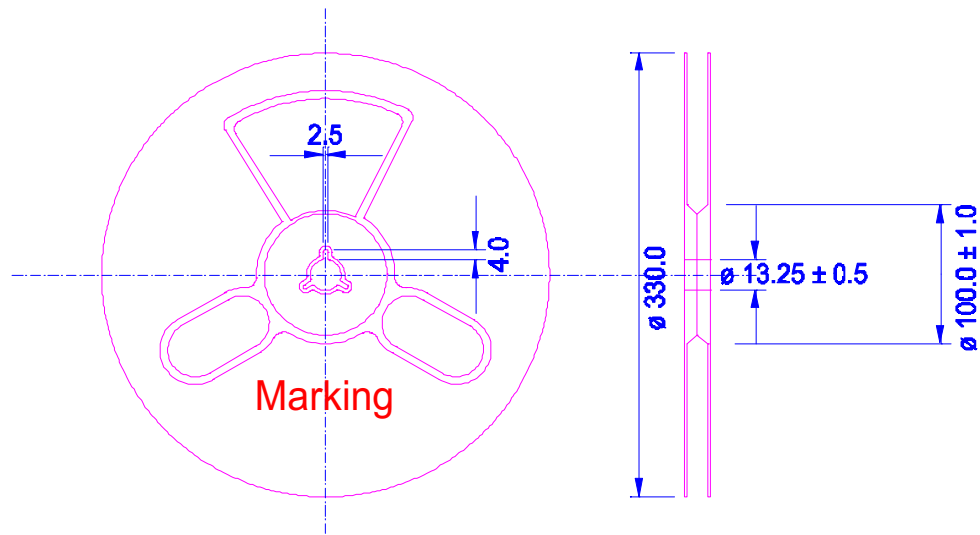
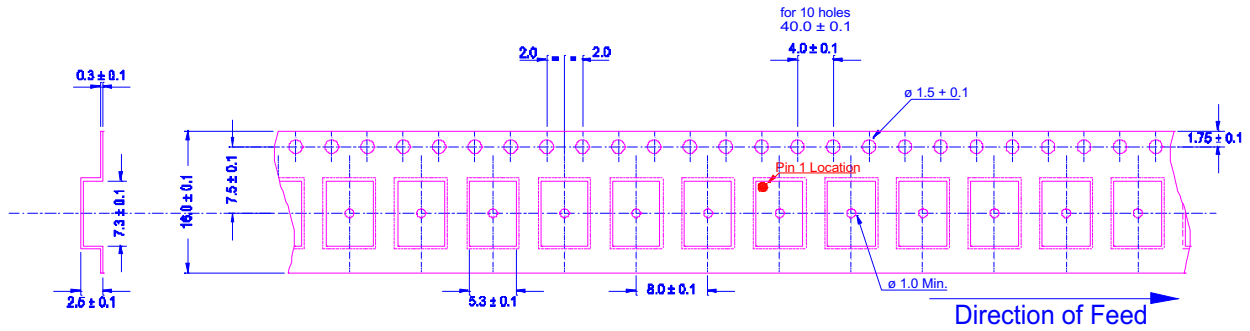
All Dimensions and Tolerances are in mm



GENERAL OSCILLATOR SPECIFICATION - OC7



Tape & Reel Dimensions



Empty Pockets

- Trailing end : 200 mm Minimum.
- Leading end : 400 mm Minimum.

PRECISION DEVICES

USA

TEL: +1 608 831 4445

E-MAIL: info@pdixtal.com

ISO 9001, Reg. No. FM 75597

UK

TEL: +44 (0)1223 834 444

E-MAIL: sales@pdixtal.co.uk

ISO 9001, Reg. No. FM 01995