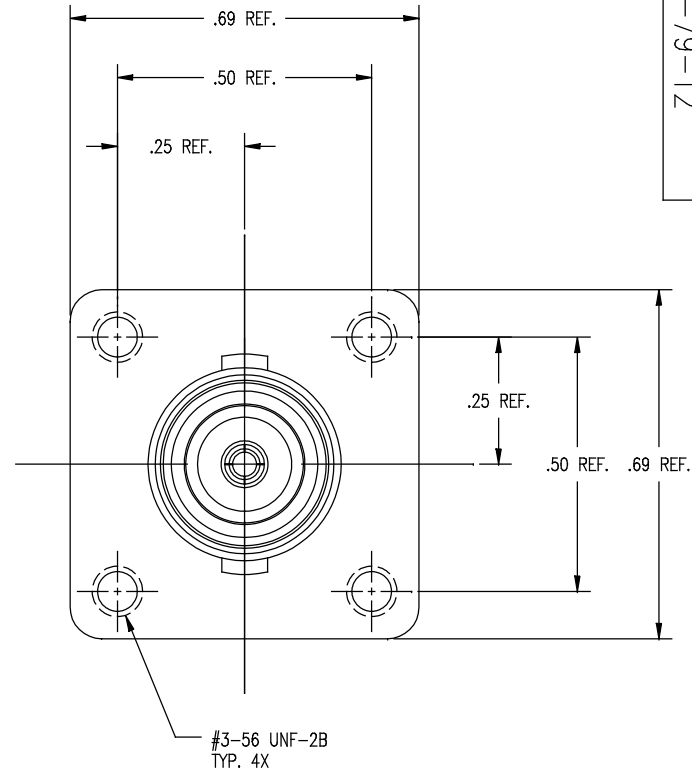
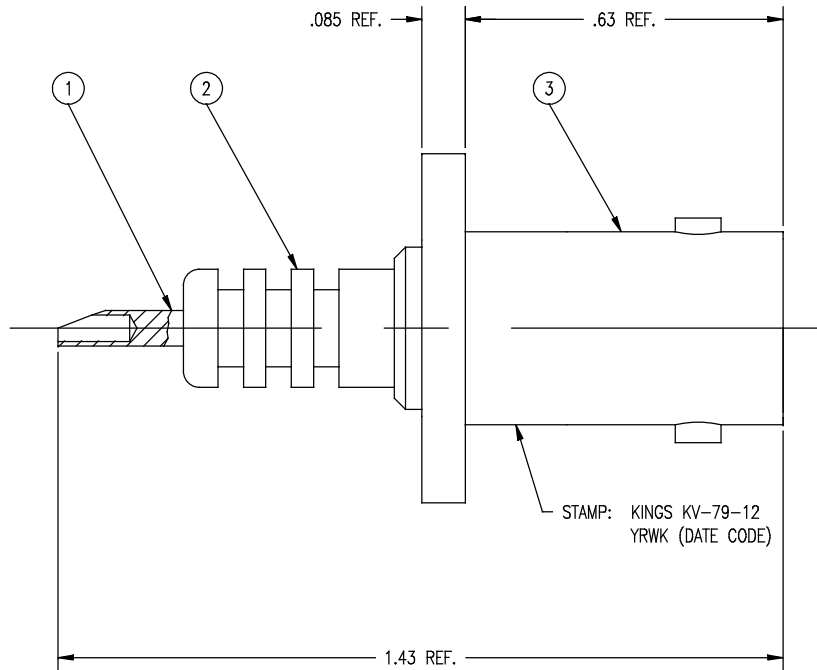


SD



KV-79-12

## REVISIONS

ISSUE	CHANGES
4	CN 29426 E EAJ 11/20/87
5	CN 38985 C REDRAWN JPK 12/19/03

KV-79-12SD

SCALE 4:1

APPROX SURFACE AREA

USED ON

REF:

MHV, PANEL RECEPT.

DRAWN J. KENNEDY DATE 12/10/03

DESIGN J. KENNEDY DATE 12/10/03

APPR. DATE

ELECTRONICS CO., INC.  
ROCK HILL, SOUTH CAROLINA 29730

KV-79-12

SD

## NOTES:

- INTERFACE PER MIL-STD-348, FIG. 303-2.
- MATERIALS:  
BODY: BRASS, ASTM-B-16  
INSULATOR: TEFLON, ASTM-D-4894  
CONTACT: BERYLLIUM COPPER, ASTM-B-196
- FINISHES:  
BODY: NICKEL PLATE, SAE-AMS-QQ-N-290  
CONTACT: SILVER PLATE, ASTM-B-700
- ELECTRICAL CHARACTERISTICS:  
WORKING VOLTAGE: 3500 VOLTS RMS (5,000 VDC)  
INSULATION RESISTANCE: 5000 MEGOHMS