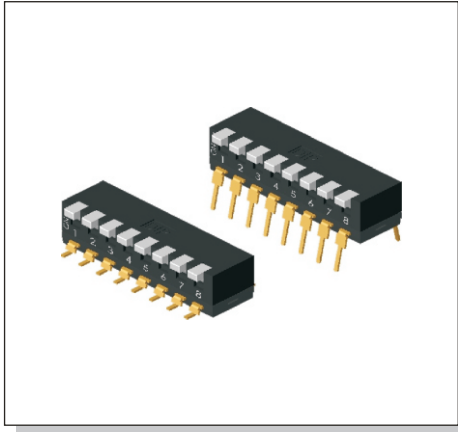


# NPI & NPM SERIES

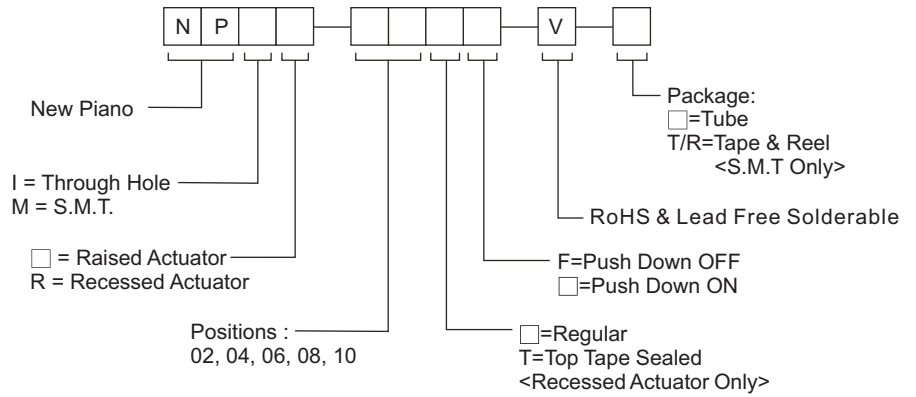
## New Piano Type



DIP SWITCH



### HOW TO ORDER



### SPECIFICATION

#### MECHANICAL

Operation Force: 800gf max.

#### ENVIRONMENTAL

Operation Temperature Range: -20°C to +85°C

Storage Temperature Range: -40°C to +85°C

#### ELECTRICAL

Electrical Life: 2,000 cycles.

Non-Switching Rating: 100mA, 50VDC

Switching Rating: 25mA, 24VDC

#### PACKAGE

NPI(R)/NPM(R)-02: 70 pcs/tube

NPI(R)/NPM(R)-04: 40 pcs/tube

NPI(R)/NPM(R)-06: 28 pcs/tube

NPI(R)/NPM(R)-08: 20 pcs/tube

NPI(R)/NPM(R)-10: 16 pcs/tube

NPM(R)-02, 04, 06, 08, 10: 700 pcs/reel

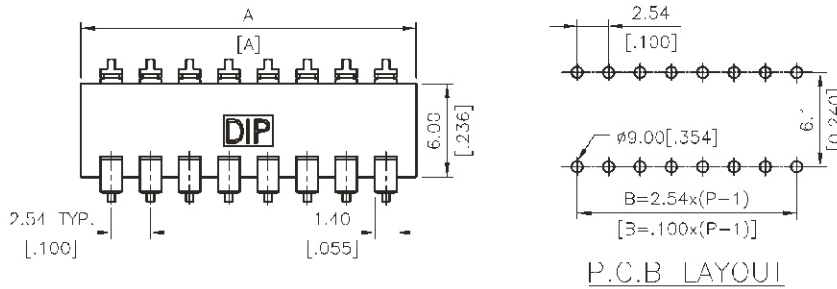
### CIRCUIT

SCHEMATIC (1Y<sup>2</sup>)

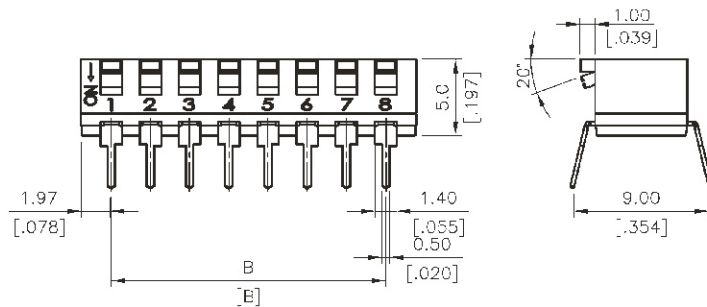


CIRCUIT DIAGRAM

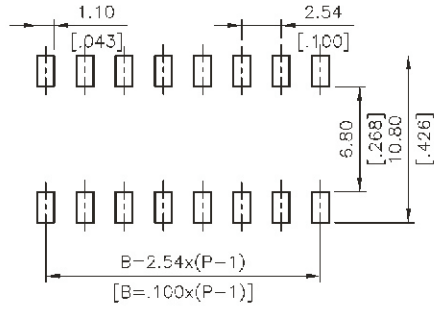
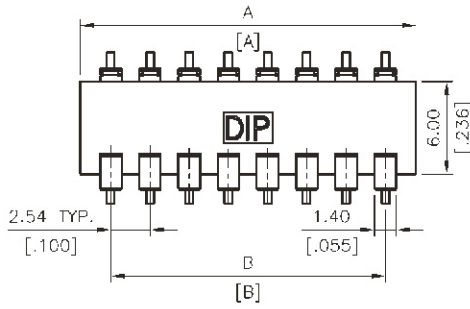
### NPI



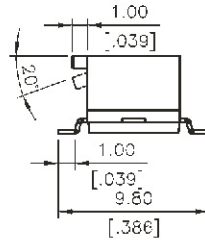
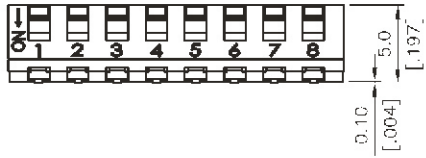
NPI-10-V	10	26.80 [1.055]	22.86 [.900]
NPI-08-V	8	21.72 [.855]	17.78 [.700]
NPI-06-V	6	16.64 [.655]	12.70 [.500]
NPI-04-V	4	11.56 [.455]	7.62 [.300]
NPI-02-V	2	6.48 [.255]	2.54 [.100]
PROD. NO.	\C. OF =QS.	DIM. A	DIM. B



### NPM



P.C.B LAYOUT



NPM-10-V	10	26.80 [1.055]	22.86 [0.900]
NPM-08-V	8	21.72 [0.855]	17.78 [0.700]
NPM-06-V	6	16.64 [0.655]	12.70 [0.500]
NPM-04-V	4	11.56 [0.455]	7.62 [0.300]
NPM-02-V	2	6.48 [0.255]	2.54 [0.100]
PRCD. NO.	NO. OF POS.	DIM. A	DIM. B