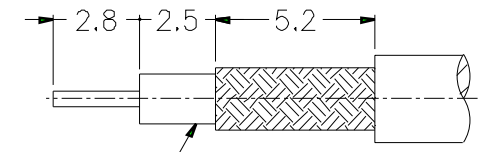
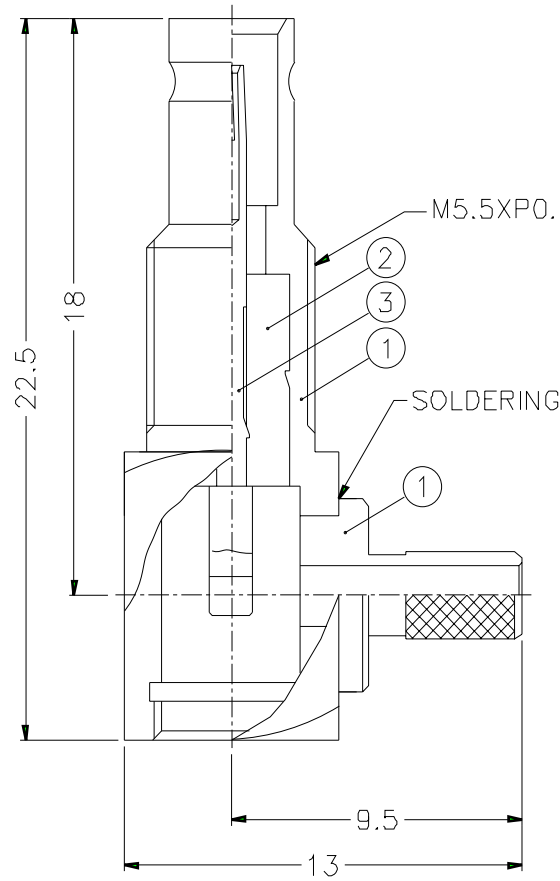
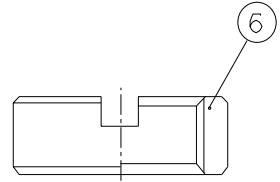
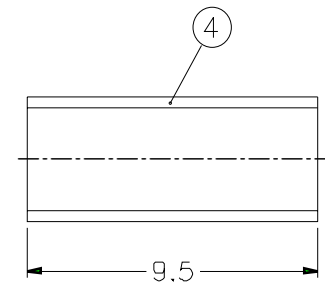


| REVISIONS | | |
|-----------|------|------------------------------|
| ISS | ZONE | DESCRIPTION\PER REQUEST\DATE |
| | | |



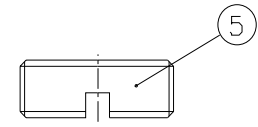
REMOVE FOIL 1mm MIN.

RECOMMENDED
CABLE STRIPPING DIM'S



CABLES: -RG-179/U, 179A/U, 179B/U, 187A/U
 -L45466-D12-C66
 -GORE AND 3M CABLE
 -RA-8000

- 1. CRIMPED FERRULE
HEX CRIMP SIZE .128"
- 2. CONTACT PIN TO SOLDER



| NO. | DESCRIPTION | MATERIAL | FINISH | Q'TY | DRAWING NO. |
|-----|---------------------|----------|---------|------|-----------------|
| 6 | NUT | BRASS | NICKEL | 1 | 123-JACK-SN |
| 5 | COVER | BRASS | NICKEL | 1 | DMT-2004-004N-8 |
| 4 | FERRULE | COPPER | NICKEL | 1 | FR-39/32X95 |
| 3 | CONTACT PIN | BEUC | GOLD | 1 | 1236412A2-3-75 |
| 2 | INSULATOR | PTFE | NATURAL | 1 | 1236412A2-2T-75 |
| 1 | HOUSING WITH BARREL | BRASS | GOLD | 1 | MB10AAB03A |

DIMENSIONS ARE IN MILLIMETERS

UNLESS OTHERWISE SPECIFIED TOLERANCES

0.5-6 = ±0.2
 6-30 = ±0.4
 30-120 = ±0.6
 120-315 = ±1
 315-1000 = ±1.6
 1000-2000 = ±2.4

| | | |
|----------|----------------------------|-----------|
| PART NO. | 1236412A1-E06 | |
| APPROVED | DATE | 04-01-02' |
| CHECKED | DATE | 04-01-02' |
| DRAWN | DATE | 04-01-02' |
| FILE NO. | F:\ND\10\6412\ERB\19\7F\MN | |

| | |
|---------------------------------|--|
| Amphenol RF | |
| TITLE 1.0/2.3 R/A CRIMP JACK | |
| DRAWING NO. 106412ERB19MN7F | |
| ITEM NO. 106412ERB19MN7F | |

F
E
D
C
B
A

F
E
D
C
B
A

1 2 3 4 5 6 7 8