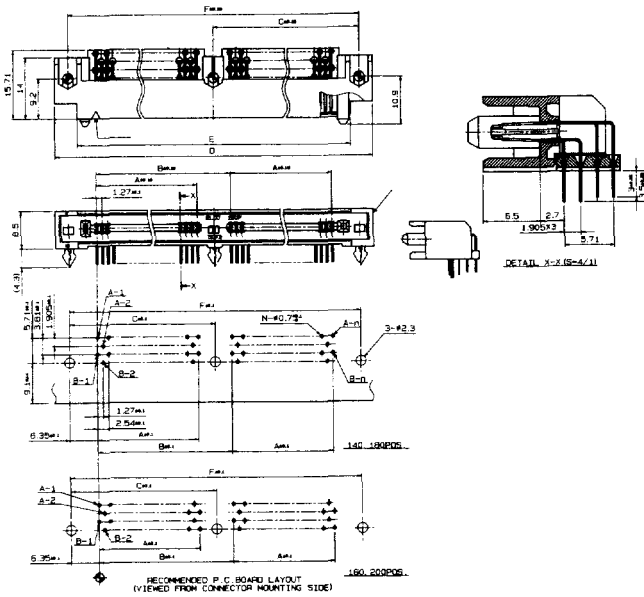


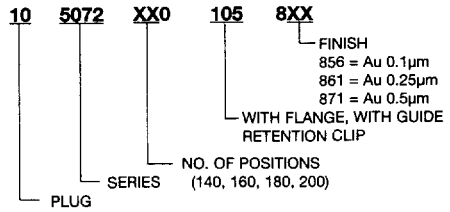
# Microleaf Connectors 1.27mm Pitch

## Series 5072 Plug Right Angle (With Flange, With Guide)

(High Pin Count)



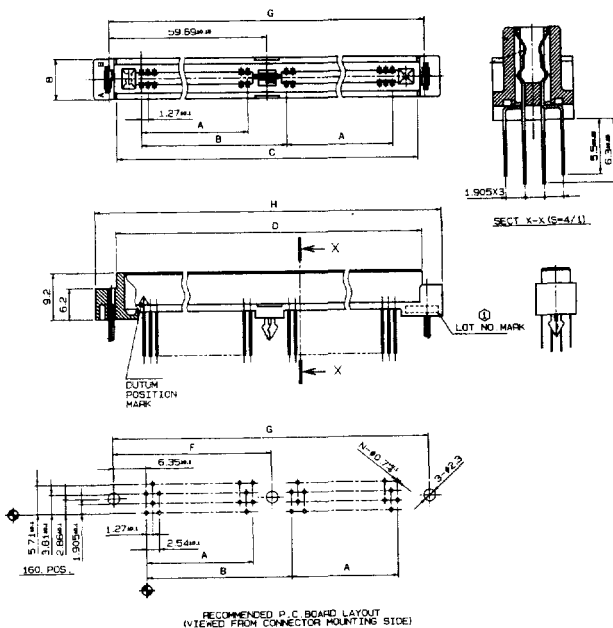
### ORDERING CODE



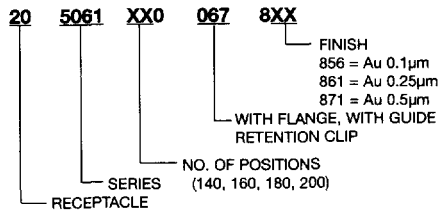
A = 1.27 (% -1)	D = A + B + 18.8
B = A + 7.62	E = A + B + 8.6
C = A + 10.16	F = A + B + 12.7

# Series 5061 Receptacle Straight (With Flange, With Guide)

(High Pin Count)



### ORDERING CODE



A = 1.27 (% -1)	F = A + 10.16
B = A + 7.62	G = A + B + 12.7
C = A + B + 9.8	H = A + B + 18.8
D = A + B + 10.8	

Additional information on this product is available from AVX's catalog or AVX's FAX Service. Call 1-800-879-1613 and request document #260. Visit our website <http://www.avxcorp.com>