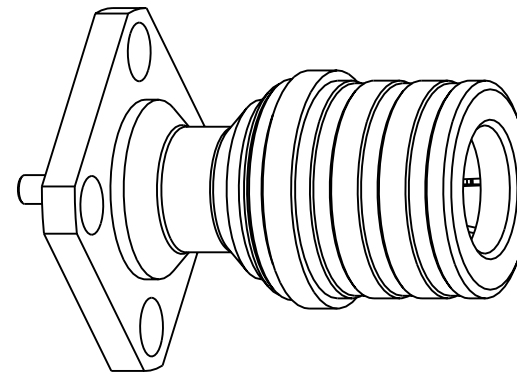


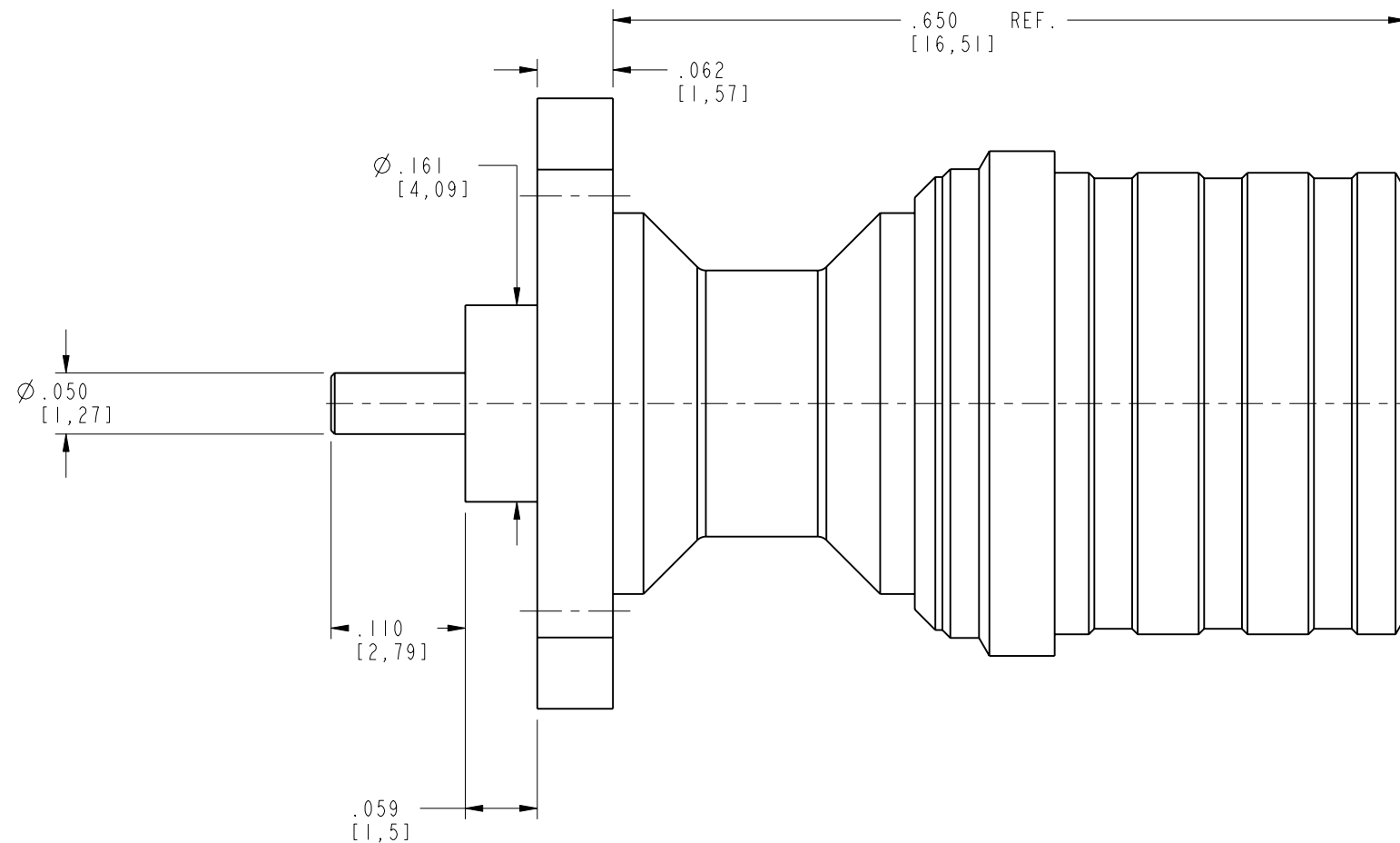
NOTES:

1. MATERIALS AND FINISHES:  
 BODY - BRASS, GOLD PLATING (.000010 THICK MIN) OVER WHITE BRONZE  
 SLEEVE - BRASS, GOLD PLATING (.000010 THICK MIN) OVER WHITE BRONZE  
 OUTER CONTACT - PHOS BRONZE, GOLD PLATING (.000050 THICK MIN) OVER WHITE BRONZE  
 CONTACT - BRASS, GOLD PLATING (.000050 THICK MIN) OVER WHITE BRONZE  
 INSULATOR - PTFE
2. ELECTRICAL:  
 A. IMPEDANCE: 50 OHM  
 B. FREQUENCY RANGE: DC - 6 GHz  
 C. VSWR(RETURN LOSS): -32 dB TO 3 GHz, -25 dB TO 6 GHz  
 D. DIELECTRIC WITHSTANDING VOLTAGE: 1000 VRMS, MIN.
3. MECHANICAL:  
 A. DURABILITY: 500 CYCLES MIN.  
 B. TEMPERATURE RANGE: -65° C TO 165° C  
 C. CENTER CONTACT MUST WITHSTAND A 6LB. MIN AXIAL FORCE AND A 4IN. OZ. MIN. TORQUE
4. PACKAGING:  
 A. QUANTITY: SINGLE PACK  
 B. MARKING: BAG TO BE MARKED  
 "AMPHENOL, 930-133P-51S, AND DATE CODE"

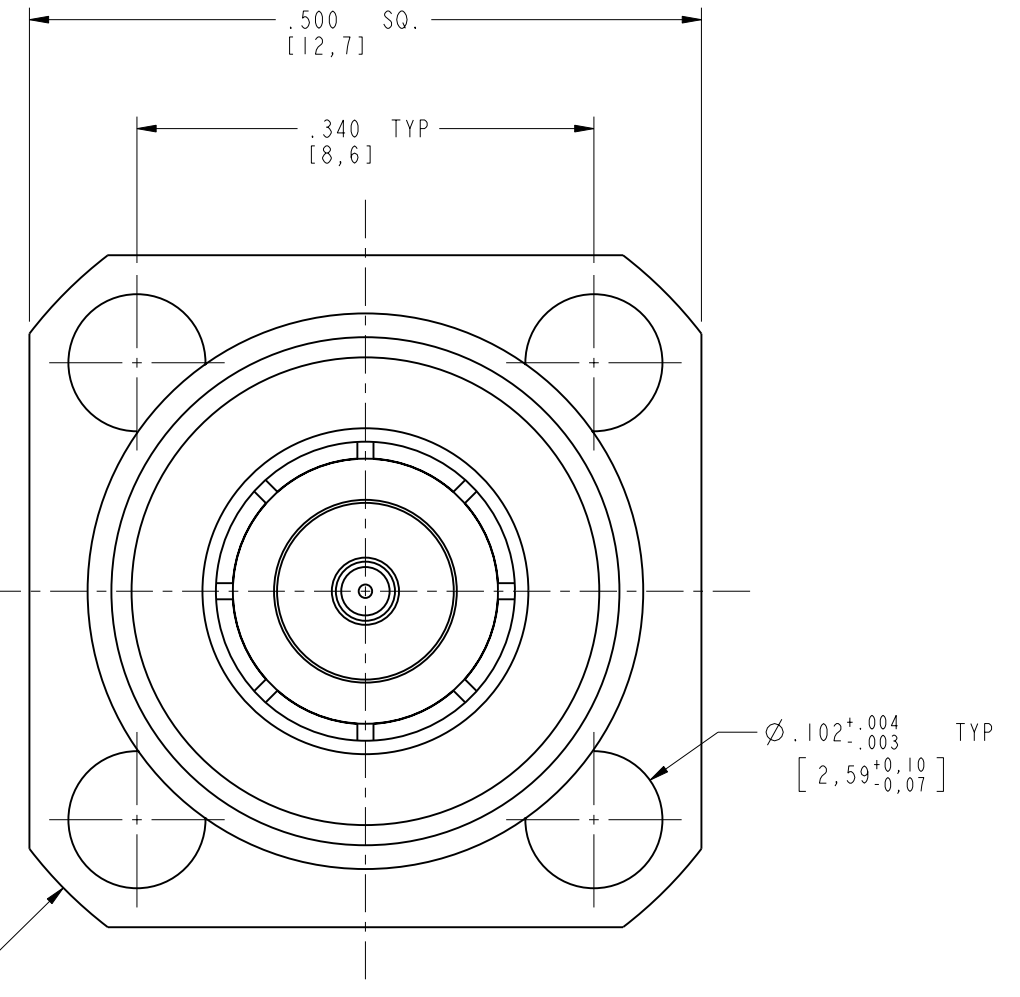
930-133P-51S		REVISIONS			
DRAWING NO.	REV	DESCRIPTION	DATE	ECO	APPR
THIRD ANGLE PROJ.	A	RELEASE O MFG.	2/10/04	44814	KJC



SCALE 3.000



INTERFACE PER  
AMPHENOL RF SPEC.  
349-50692



**CUSTOMER OUTLINE DRAWING**

ALL OTHER SHEETS ARE FOR INTERNAL USE ONLY

UNLESS OTHERWISE SPECIFIED, DIMENSIONS ARE IN INCHES AND TOLERANCES ARE: 2 PLACE DECIMAL 3 PLACE DECIMAL ±.015 (0,381 mm) ±.005 (0,127 mm) ANGLES ± 1°	MATERIAL	DRAWN K. CAPOZZI	DATE 24-Oct-03	TITLE QMA(M) 4-HOLE FLANGE		Amphenol RF Danbury, CT, USA Tainan, Taiwan Shenzhen, China www.amphenolrf.com	
	REFERENCE EAR #1153 ASSYM5_QMA 615X-1990-100	ENGINEER K. CAPOZZI	DATE 24-Oct-03				
NOTICE - These drawings, specifications, or other data (1) are, and remain the property of Amphenol Corp. (2) must be returned upon request; and (3) are confidential and not to be disclosed to any person other than those to whom they are given by Amphenol Corp. The furnishing of these drawings, specifications, or other data by Amphenol Corp., or to any other person to anyone for any purpose is not to be regarded by implication or otherwise in any manner licensing, granting rights or permitting such holder or any other person to manufacture, use or sell any product, process or design, patented or otherwise, that may in any way be related to or disclosed by said drawings, specifications, or other data.	CAD FILE I:\QMA\930-133P-51S	CODE ID 74868	DWG SIZE B	DRAWING NO. 930-133P-51S	REV A	SCALE: 7.0:1	SHEET 2 OF 2