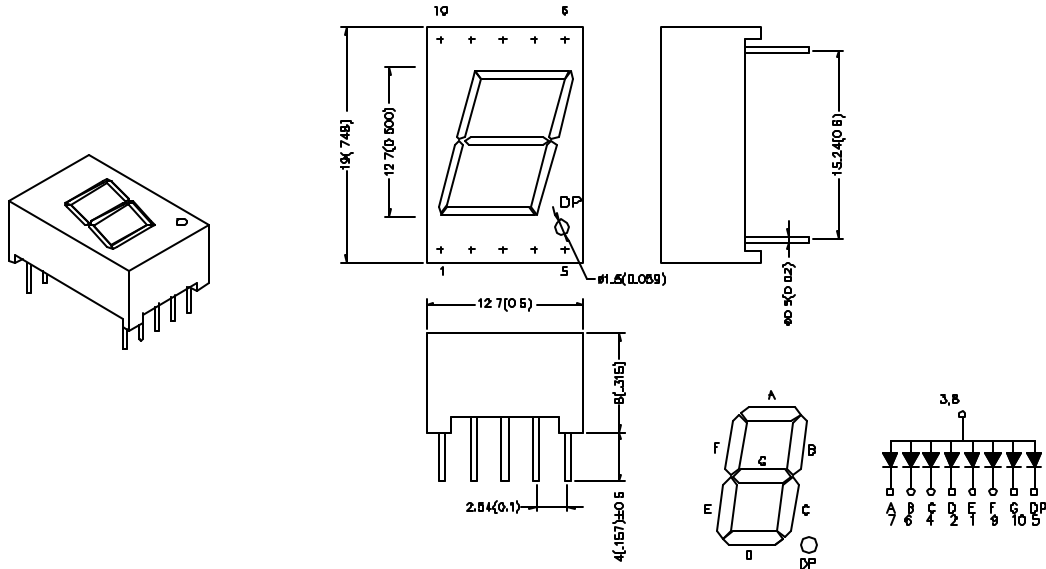


Numerical display

0.5", single digit

LN1005



Notes: All dimensions are in mm (inch)
Tolerance is ± 0.25 mm (0.01") unless otherwise specified

Electro-optical Characteristic: ($T_a = 25^\circ\text{C}$)

Part No.		Chip Material	Emitting Color	Wavelength (nm)	Iv (mcd) @10mA
Common Anode	Common Cathode				Typical
LN1005-R-A	LN1005-R-C	GaP	Red	700	650
LN1005-RE-A	LN1005-RE-C	GaAsP/GaP	Red	635	2000
LN1005-G-A	LN1005-G-C	GaP	Green	565	2000
LN1005-YE-A	LN1005-YE-C	GaAsP/GaP	Yellow	585	1600
LN1005-RS-A	LN1005-RS-C	GaAlAs	Red	660	21000

Features

- 0.5 inch digit height
- Uniformly illuminated segments
- Low power requirement
- Wide viewing angle
- IC compatible
- Easy mounting on PCB or socket
- Different sizes and number of digit are available

Description

Devices have choice of gray and black face to contrast with white segments.