

7/16 High Power RF Connector

Electrical	Materials	Environmental
Impedance – 50 Ω Frequency range – 1 MHz - 6 GHz Voltage – 2700 VRMS max sea level Dielectric withstand – 4000 VRMS max sea level VSWR – 1.1 max (3 GHz) – 1.22 max (3-11 GHz) Resistance Inner – 0.5 mΩ max Outer – 0.2 mΩ max Insulator – 10000 MΩ min	Body – Brass (Spec: C3602) Finish – Silver or White Bronze <u>Contacts/Finish</u> Centre MALE – Brass (Spec: C3602) Centre FEMALE – Cuz (Spec: Qbe2) – Bronze (Spec: QSn6.5) Insulator – PTFE Spring Ring – Heat Treated Gasket – Silicone Rubber Crimp Ferrules – Annealed Copper/Silver	Temp. range – -65°C thru 165°C Shock – Consult Rep. Humidity – Consult Rep. Vibration – Consult Rep. Corrosion – Consult Rep. Connectors with O-ring offer IP67 protection
Mechanical		Related Information
Unter Rententivity – > 6N Hardness – > 1000 Times for drawing		Cable – Section D Hand Tools – Section F Termination Instr. – Section G Terminology – Section J

7/16 High Power RF Connector – Cable Mount Plugs

<p style="text-align: center;">Termination Instruction E</p>		<p style="text-align: center;">Termination Instruction R</p>	
Part Number:	Description:	Part Number:	Description:
716-1111A-01RFX	7/16 Plug for RG214U Coaxial Cable.	716-1142A-01RFX	7/16 R/A Plug for 3/8" Superflexible Coaxial Cable.

<p style="text-align: center;">Termination Instruction DD</p>		<p style="text-align: center;">Termination Instruction DD</p>		<p style="text-align: center;">Termination Instruction X</p>	
Part Number:	Description:	Part Number:	Description:	Part Number:	Description:
AFB5-4	7/16 Plug for 1/2" Annular Coaxial Cable with O-ring.	AFB5-8	7/16 Plug for 1/2" Annular Coaxial Cable.	AFB3-2	7/16 Plug for 1/2" Superflexible Coaxial Cable.

<p style="text-align: center;">Termination Instruction Y</p>		<p style="text-align: center;">Termination Instruction Y</p>		<p style="text-align: center;">Termination Instruction Y</p>	
Part Number:	Description:	Part Number:	Description:	Part Number:	Description:
AFB6-1	7/16 R/A Plug for 1/2" Superflexible Coaxial Cable.	AFB1-4	7/16 Plug for 7/8" Annular Coaxial Cable without Plaster.	AFB191-1	7/16 Plug for 7/8" Annular Coaxial Cable with O-ring

ARFA / AFY

Amphenol

Telecom Solutions

7/16 High Power RF Connector – Cable Mount Plugs – Continued

Termination Instruction Z	Termination Instruction Z	Termination Instruction BB			
Part Number: AFB191-1	Description: 7/16 Plug for 7/8" Standard & Low-loss Coaxial Cable.	Part Number: AFB191-4	Description: 7/16 Plug for 7/8" Superflexible Coaxial Cable.	Part Number: AFB17-1	Description: 7/16 Plug for 1/4" Annular Coaxial Cable, Cable inner conductor without O-ring.
Termination Instruction BB	Termination Instruction CC	Termination Instruction BB			
Part Number: AFB17-2	Description: 7/16 Plug for 1 1/4" Annular Coaxial Cable, Cable inner conductor with O-ring.	Part Number: AFB205-2	Description: 7/16 Plug for 1 5/8" Annular Coaxial Cable with O-ring.	Part Number: AFB119-1	Description: 7/16 Plug for 1 7/8" Radiating Cable.

7/16 High Power RF Connector – Cable Mount Jacks

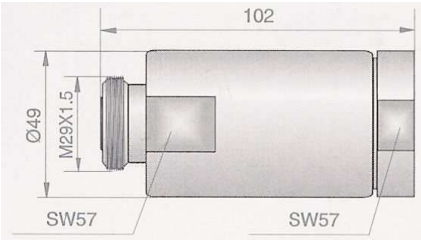
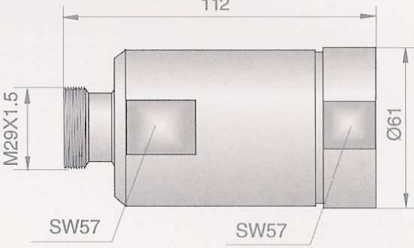
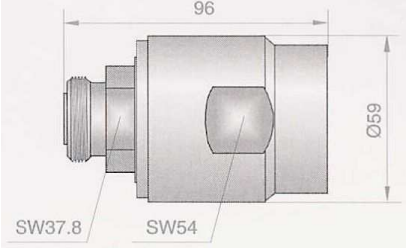
Termination Instruction E	Termination Instruction X	Termination Instruction Y			
Part Number: 716-6111A-01RFX	Description: 7/16 Jack for RG214U Coaxial Cable.	Part Number: AFB4-2	Description: 7/16 Jack for 1/2" Superflexible Coaxial Cable.	Part Number: AFB2-1	Description: 7/16 Jack for 7/8" Annular Coaxial Cable.
Termination Instruction Y	Termination Instruction Y	Termination Instruction Z			
Part Number: AFB2-6	Description: 7/16 Jack for 7/8" Annular Coaxial Cable without Plaster	Part Number: AFB2-9	Description: 7/16 Jack for 7/8" Annular Coaxial Cable with weatherproof O-ring.	Part Number: AFB216-3	Description: 7/16 Jack for 7/8" Standard & Low-loss Coaxial Cable.
Termination Instruction Z	Termination Instruction BB	Termination Instruction BB			
Part Number: AFB216-4	Description: 7/16 Jack for 7/8" Superflexible Coaxial Cable.	Part Number: AFB58	Description: 7/16 Jack for 7/8" Radiating Cable.	Part Number: AFB16-1	Description: 7/16 Jack for 1/4" Annular Coaxial Cable, Cable inner conductor without O-ring.

ARFA / AFY

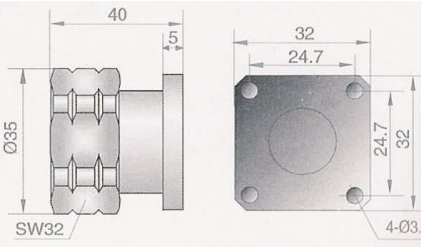
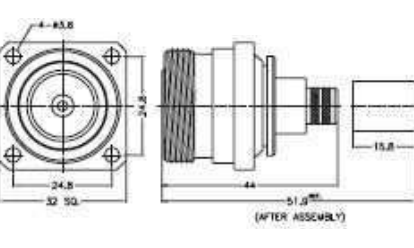
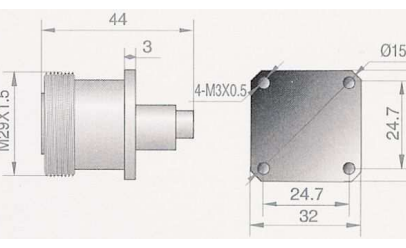
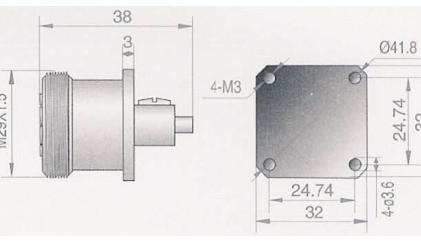
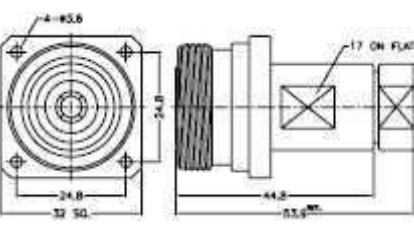
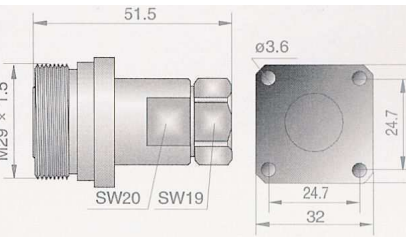
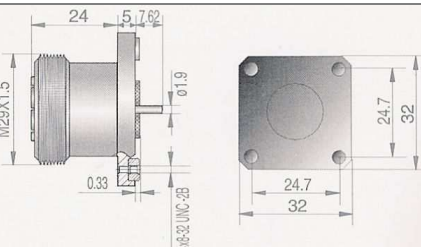
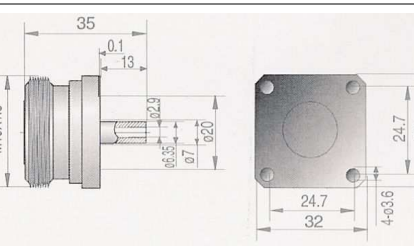
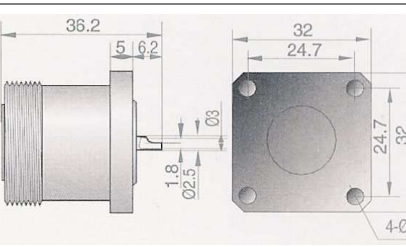
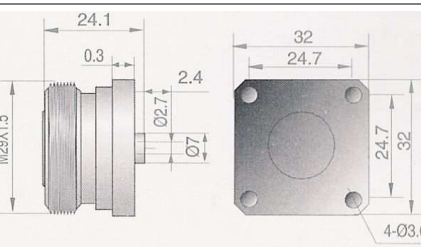
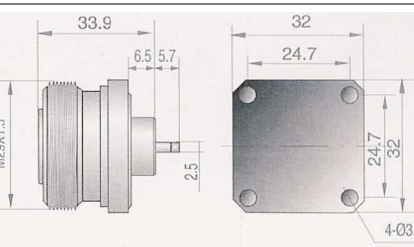
Amphenol

Telecom Solutions

7/16 High Power RF Connector – Cable Mount Jacks – Continued

 <p style="text-align: center;">Termination Instruction BB</p>	 <p style="text-align: center;">Termination Instruction CC</p>				
Part Number:	Description:	Part Number:	Description:	Part Number:	Description:
AFB16-2	7/16 Jack for 1 1/4" Annular Coaxial Cable, Cable inner conductor with O-ring.	AFB220-4	7/16 Jack for 1 5/8" Annular Coaxial Cable with O-ring.	AFB220-2	7/16 Jack for 1 5/8" Radiating Cable.

7/16 High Power RF Connector – Panel Mount Plugs & Jacks

 <p style="text-align: center;">Termination Instruction E</p>	 <p style="text-align: center;">Termination Instruction E</p>				
Part Number:	Description:	Part Number:	Description:	Part Number:	Description:
AFB43-1	7/16 Plug.	716-6511A-01RFX	7/16 Jack for RG214 Coaxial Cable.	AFB30	7/16 Jack for RG401 Cable.
 <p style="text-align: center;">Termination Instruction R</p>	 <p style="text-align: center;">Termination Instruction R</p>	 <p style="text-align: center;">Termination Instruction X</p>			
Part Number:	Description:	Part Number:	Description:	Part Number:	Description:
AFB30-2	7/16 Jack for RG402 Cable.	716-6541A-01RFX	7/16 Jack for 3/8" Superflexible Coaxial Cable, Solderless Centre Contact.	AFB4-5	7/16 Jack for 1/2" Superflexible Coaxial Cable.
 <p style="text-align: center;">Termination Instruction R</p>	 <p style="text-align: center;">Termination Instruction R</p>				
Part Number:	Description:	Part Number:	Description:	Part Number:	Description:
AFB8-3	7/16 Jack.	AFB24-2	7/16 Jack.	AFB40-1	7/16 Jack with Gasket.
 <p style="text-align: center;">Termination Instruction R</p>	 <p style="text-align: center;">Termination Instruction R</p>	<p style="color: blue; font-weight: bold;">For Alternate Versions Contact Your Amphenol Representative</p>			
Part Number:	Description:	Part Number:	Description:		
AFB42-2	7/16 Jack with Gasket.	AFB48-3	7/16 Jack with Gasket.		

ARFA / AFY