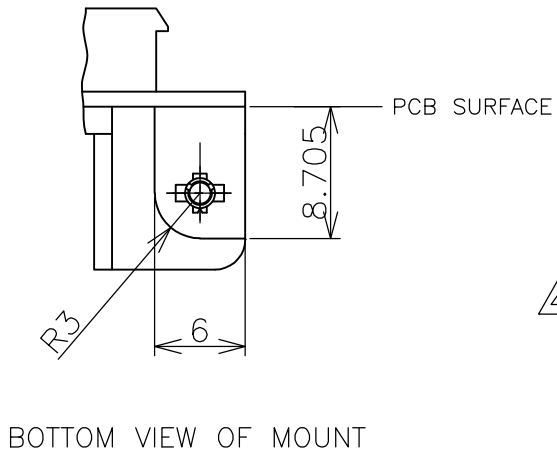
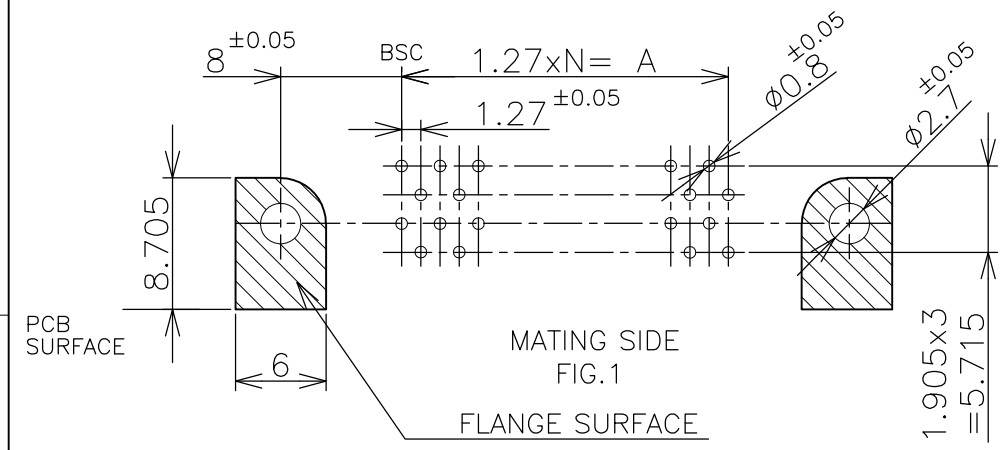
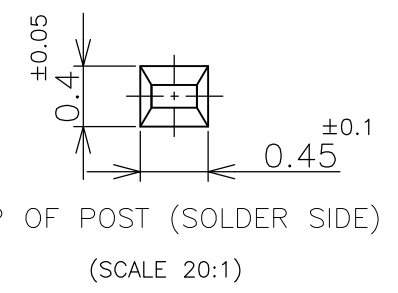
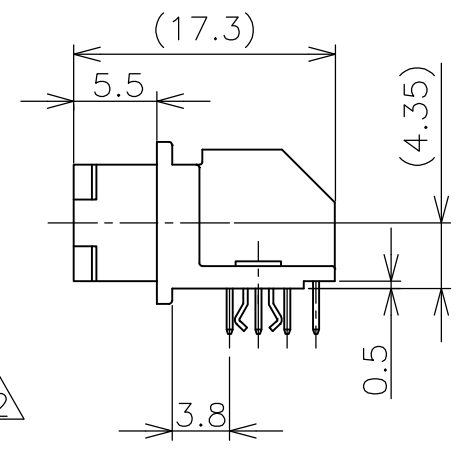
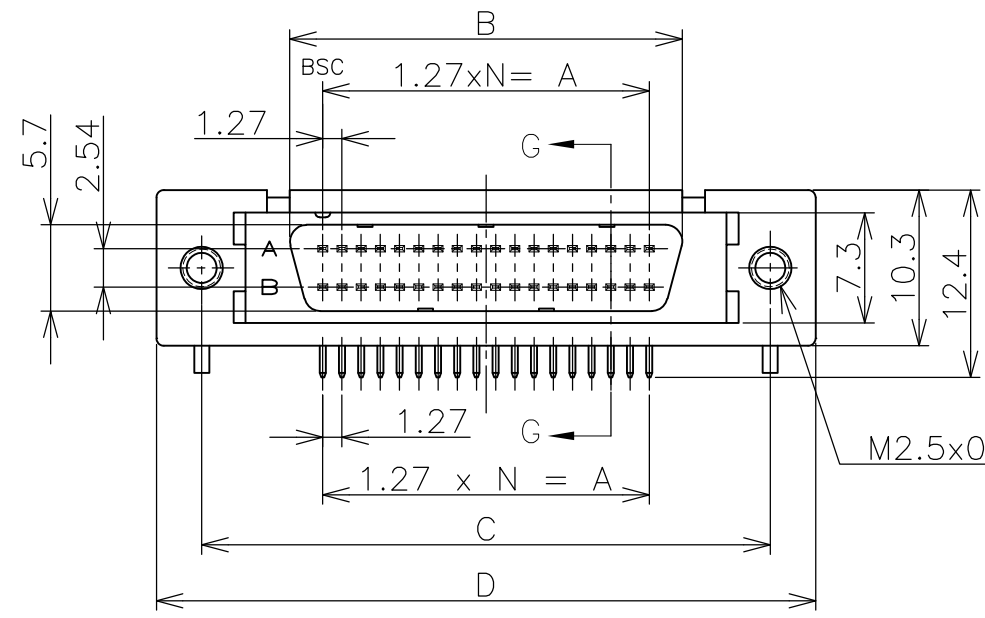
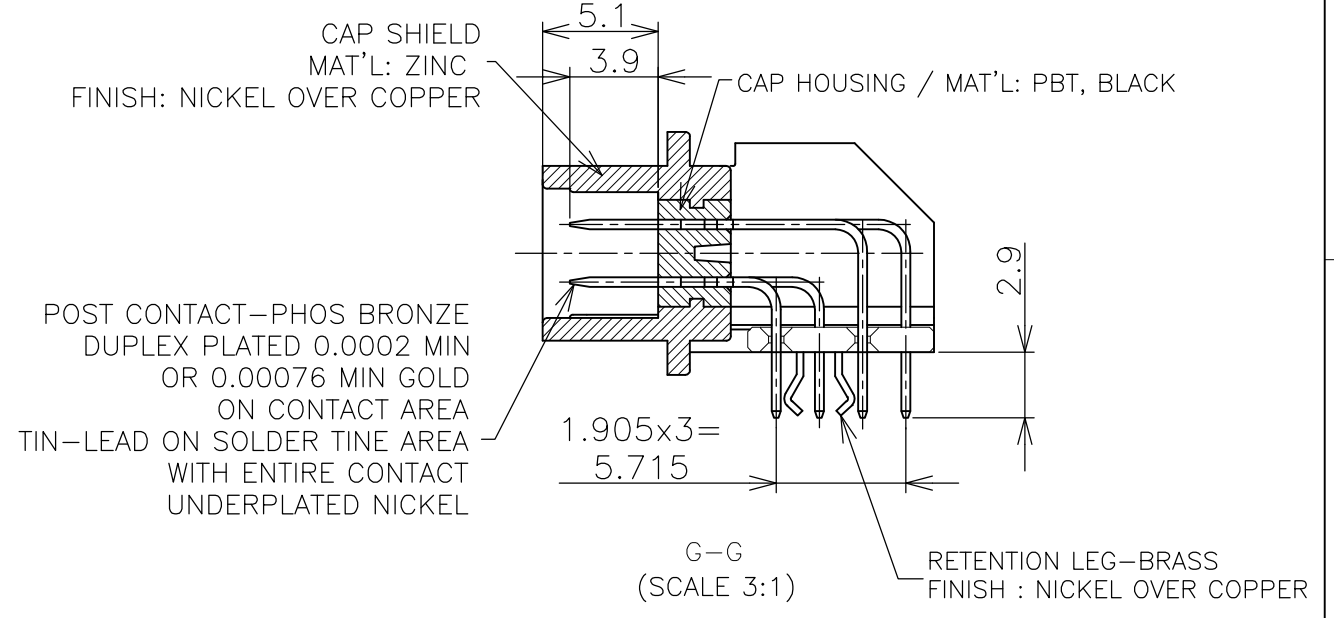
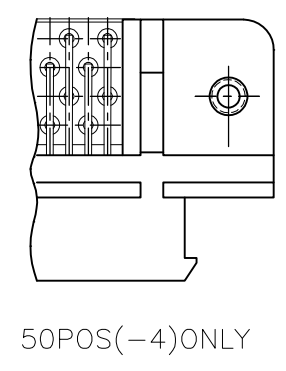
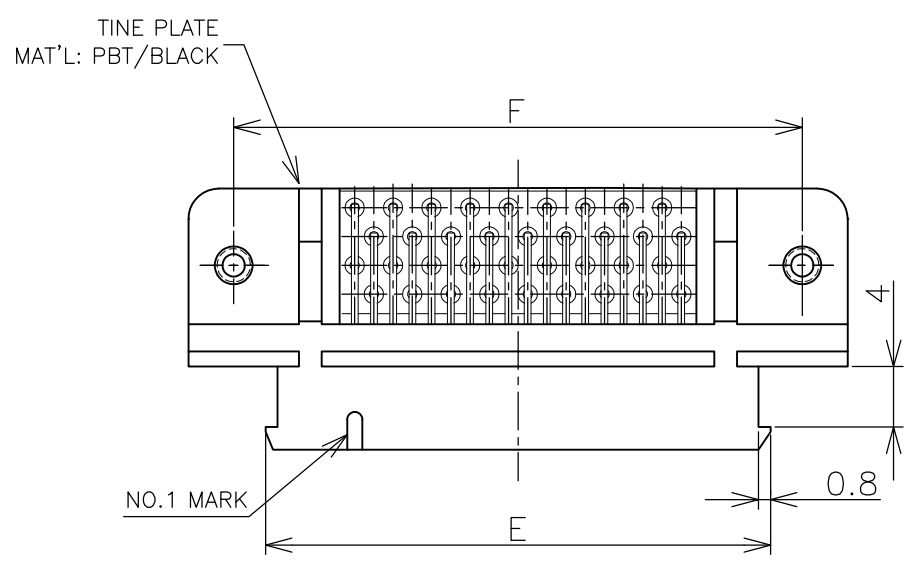


THIS DRAWING IS UNPUBLISHED. RELEASED FOR PUBLICATION APR, 1988.
 © COPYRIGHT 1988 BY TYCO ELECTRONICS CORPORATION. ALL RIGHTS RESERVED.

LOC	DIST	REVISIONS				DATE	DWN	APVD
		P	LTR	DESCRIPTION	ECO			
J		F1	REV PER	ECO-10-000443	15JAN10	KK	AEG	



OBSOLETE	-96	47	59.69	64.06	75.7	81.7	71.49	75.7	0.00076 MIN	2-174341-6
	68	33	41.91	46.28	57.9	63.9	53.71	57.9		2-174341-5
OBSOLETE	-50	24	30.48	34.85	46.5	52.5	42.28	46.5		2-174341-4
OBSOLETE	-36	17	21.59	25.96	37.6	43.6	33.39	37.6		2-174341-3
OBSOLETE	-28	13	16.51	20.88	32.5	38.5	28.31	32.5		2-174341-2
OBSOLETE	-20	9	11.43	15.8	27.4	33.4	23.23	27.4	2-174341-1	
	-96	47	59.69	64.06	75.7	81.7	71.49	75.7	0.0002 MIN	174341-6
OBSOLETE	-68	33	41.91	46.28	57.9	63.9	53.71	57.9		174341-5
OBSOLETE	-50	24	30.48	34.85	46.5	52.5	42.28	46.5		174341-4
OBSOLETE	-36	17	21.59	25.96	37.6	43.6	33.39	37.6		174341-3
OBSOLETE	-28	13	16.51	20.88	32.5	38.5	28.31	32.5		174341-2
OBSOLETE	-20	9	11.43	15.8	27.4	33.4	23.23	27.4	174341-1	
	POS	N	A	B	C	D	E	F	GOLD THK	PART NO.

- 1 P.C BOARD HOLE LAY-OUT AS SHOWN FIG.1
- ② USED SCREW SIZE; M2.5 PANHEAD SCREW
- 3 CONNECTOR TO BE MATED;
X-174340-X
- ④ OBSOLETE PARTS: OBSOLETE CIS STREAMLINING PER D.RENAUD/D.SINISI

GENERAL TOLERANCE

10 ≥ :	±0.2
30 ≥ > 10:	±0.25
100 ≥ > 30:	±0.3
ANGLES:	±3°

THIS DRAWING IS A CONTROLLED DOCUMENT.

DWN T.KAWAMAE 01JUL03
 CHK Y.YAMAMOTO 01JUL03
 APVD Y.YAMAMOTO 01JUL03

Tyco Electronics Tyco Electronics Corporation
Kawasaki, Japan

NAME 名称: POST HEADER HORIZONTAL, WITH R/L AMPLIMITE .050 SERIES II CONN. TYPE B

PRODUCT SPEC 製品規格: 108-5238-1

APPLICATION SPEC 取付適用規格

WEIGHT

SIZE A3 CAGE CODE 00779 DRAWING NO. 番号 G-174341 RESTRICTED TO

CUSTOMER DRAWING SCALE 尺度 2:1 SHEET 1 OF 1 REV F1