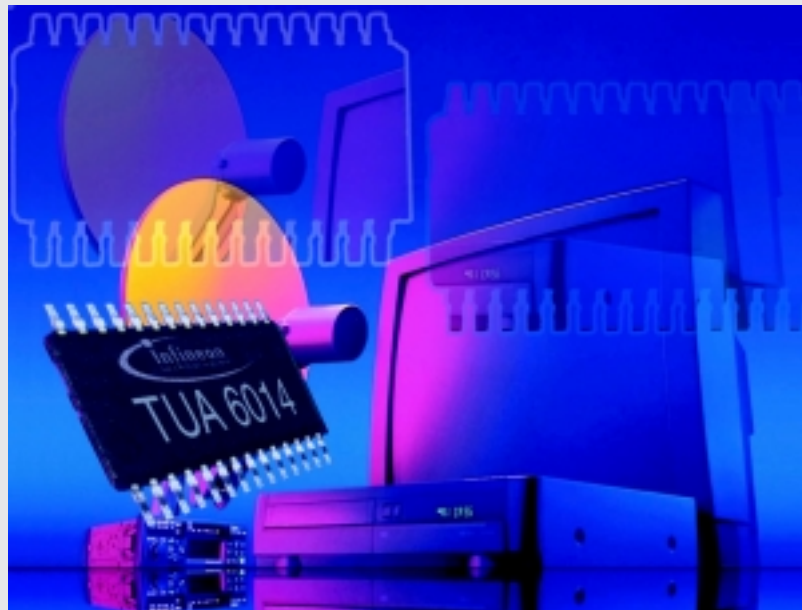


Mixer, Oscillator, PLL IC for PAL and NTSC tuners. Due to its 25 GHz technology it combines wide dynamic range with good decoupling of the integrated RF and PLL blocks. The PLL system with dual - modulus - prescaler offers quick channel access and low phase noise. The heart of a tuner is the one chip Mixer-Oscillator-PLL IC TUA 6014. In this IC the analog tuner functions and the digital PLL part are combined. The Tuner IC meets the high demands for the PAL standard.



Potential Applications

- TV
- Videorecorder
- Cable set-top-boxes for analog TV

Features

- Double balanced mixer with wide dynamic range and high-impedance input for the VHF low or VHF high and a low-impedance input pair for the UHF frequency range
- Frequency and amplitude-stable balanced oscillators for the VHF low, VHF high and UHF frequency range
- Optimum decoupling of input frequency from oscillator
- PLL with short lock-in time; no asynchronous divider stage
- Short pull-in time for quick channel access and optimized loop stability
- High voltage VCO tuning output (35 V)
- Fast I²C-Bus mode possible

- 4 programmable chip addresses
- 4 high current switch outputs
- 5-level A/D converter
- Lock-in flag
- Power-down flag
- Few external components
- Internal band switch
- Internal low noise reference voltage source
- Full ESD protection

Price Projection

- Standard price list
- For Key and Focus accounts or high volumes you may contact your regional Infineon sales partner

Development and Support Tools

- Evaluation Board TUA 6014
- Reference Design PAL-Tuner
- I²C-Bus-Interface & DOS or Windows 3.11 control-software

Features	Benefits
High-ohmic VHF input	Simplified interstage filter design
Low-ohmic UHF input	No adjacent channel problem (N+/-1)
Quick dynamic range	Quick channel access
Fast dual modulus prog. divider	More suitable for digital TV reception
Expensive foil cap in loop filter	Not necessary (lower BOM)
Package	Space saving

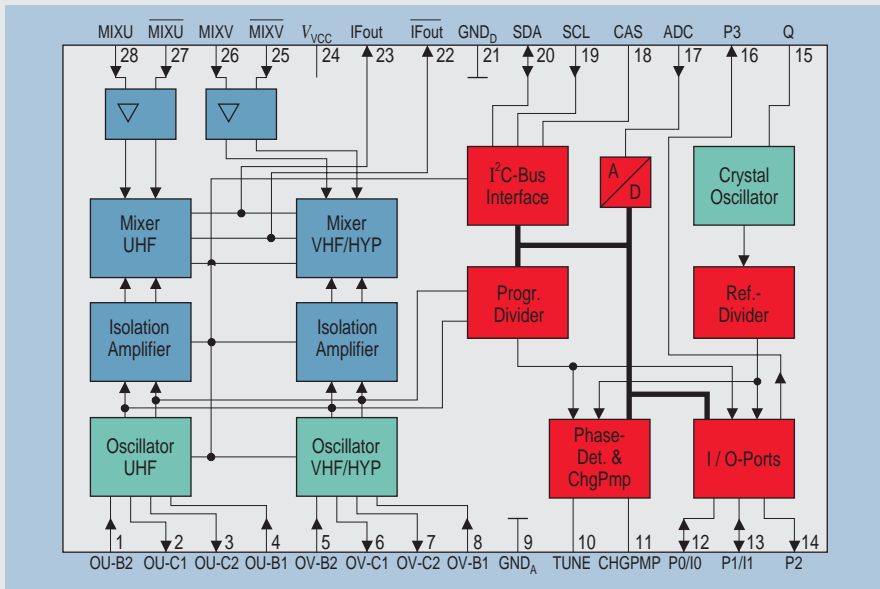
Packing

Type	Ordering Code	Package
TUA 6014XS	Q67036-A1001-A701	P-TSSOP-28-1
TUA 6014-K	Q67036-A1006-A702	P-TSSOP-28-1
TUA 6014-S	Q67036-A1020-A701	P-TSSOP-28-1

TUA 6014XS, -S, -K
Single Chip for Terrestrial
Television



Block Diagram



Feature Requirements

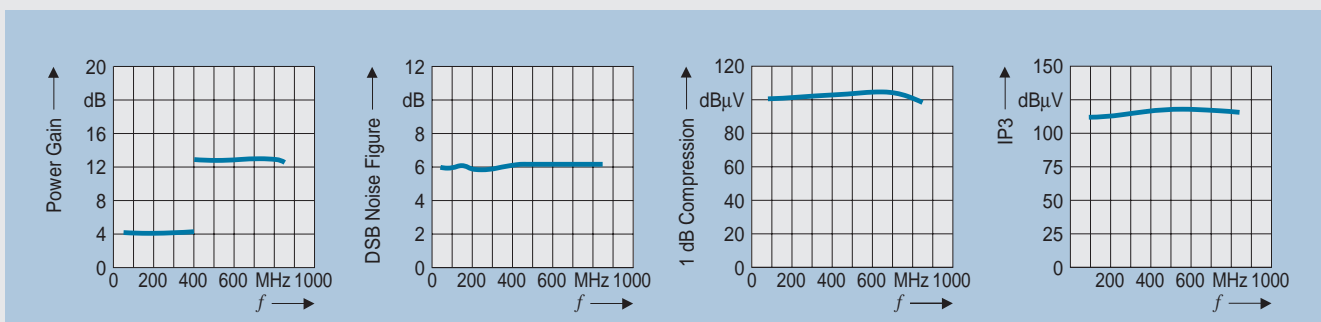
PAL	NTSC
3 Ports (VHF low, VHF high, UHF)	4 Ports (VHF low, VHF high, FM trap, UHF)
Balanced (or unbalanced) IF output to drive SWF	Unbalanced 75 Ω IF output
4-Pin VHF Oscillator	2-Pin VHF Oscillator
4-Pin UHF Oscillator	4-Pin UHF Oscillator
I ² C Bus	I ² C Bus

Availability

ES available;
Mass Production status

Documentation	Date of Issue/Version
Specification	2000
Application Note (Tuner)	2000
Articles/Press Releases – Components (p. 43) – Components (p. 23-25)	3/97 4/97

Test on EVA Boards



How to reach us:
<http://www.infineon.com>

Published by
Infineon Technologies AG,
Bereich Kommunikation,
St.-Martin-Strasse 53,
D-81541 München

© Infineon Technologies AG 2000. All Rights Reserved.

Attention please!

The information herein is given to describe certain components and shall not be considered as warranted characteristics.

Terms of delivery and rights to technical change reserved.

We hereby disclaim any and all warranties, including but not limited to warranties of non-infringement, regarding circuits, descriptions and charts stated herein.

Infineon Technologies is an approved CECC manufacturer.

Information

For further information on technology, delivery terms and conditions and prices please contact your nearest Infineon Technologies Office in Germany or our Infineon Technologies Representatives worldwide.

Warnings

Due to technical requirements components may contain dangerous substances. For information on the types in question please contact your nearest Infineon Technologies Office.

Infineon Technologies Components may only be used in life-support devices or systems with the express written approval of Infineon Technologies, if a failure of such components can reasonably be expected to cause the failure of that life-support device or system, or to affect the safety or effectiveness of that device or system. Life support devices or systems are intended to be implanted in the human body, or to support and/or maintain and sustain and/or protect human life. If they fail, it is reasonable to assume that the health of the user or other persons may be endangered.