



# HUBER+SUHNER® FIBEROPTIC QUICK ASSEMBLY™ FST/FSC CONNECTORS

## Characteristics

- Field termination within 90 seconds
- No set-up time needed
- Low Insertion Loss
- Full ceramic ferrule for highest reliability
- One-Piece Design
- Halogen-free (UL 94-V0 material)

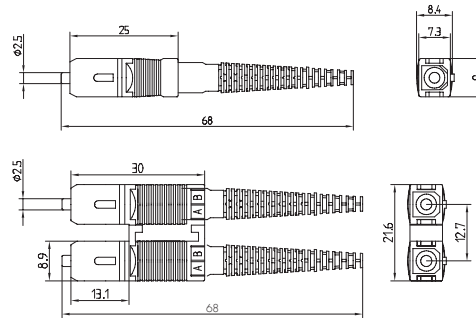
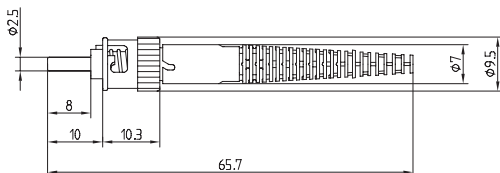
## Applications

- Premises cabling and FTTH
- Single- and Multimode



	FST connector	FSC connector
Assembly procedure	Quick Assembly™	
Locking mechanism	Bayonet	Push-Pull
Connection	Physical contact	
Standards	IEC 61754-4	IEC 61754-2
Strain relief	EN50173, EIA/TIA 568 A 70N	
Operating temperature	-25 °C to +70 °C, depending on type of cable	
Durability	min. 1000 cycles	
Insertion Loss IL [dB] <sup>1)</sup>		
Singlemode (typ./97%)	0.3/0.5	
Multimode (typ./97%)	0.3/0.5	
Return Loss [dB]		
Singlemode	> 26	
Multimode	> 20	

<sup>1)</sup> Measurement according to IEC 61300-3-4



## Ordering information

Article	Type	Description / Usage
---------	------	---------------------

### Connectors for Quick Assembly termination

FSC Simplex Multimode	FSC-QXA-B001	FSC connector beige (25 pcs/pack)
FSC Duplex Multimode	FSC-QXA-B001-02	FSC connector beige (12 pcs/pack)
FSC Simplex Singlemode	FSC-QXA-A001	FSC connector blue (25 pcs/pack)
FSC Duplex Singlemode	FSC-QXA-A001-02	FSC connector blue (12 pcs/pack)
FST Multimode	FST-QXA-B001	FST connector (25 pcs/pack)
FST Singlemode	FST-QXA-A001	FST connector (25 pcs/pack)

### Accessories

Clauss stripper	9801.22.C	Stripping cable jacket, tube, coating
Aramide scissors	9801.24.C	Cutting aramide yarn
Marker	9801.48.C	
KFZ power supply adapter	QXA-005	
Hand microscope	9801.80.G	Inspection of end surface of connectors 100 times magnification

### Consumables

Singlemode polishing kit	QXA-019	<b>NEW</b>	Plastic mat for SM polishing process and 15 polishing films
Powder container replacement	QXA-006		Gluing the fiber into the connector
15 polishing films	9801.76.F		D1 for SM polishing process
50 polishing films	9801.71.G		3 µm aluminium oxide
50 lapping films	9801.71.H		5 µm silicium carbide
Cleaning tissues	9801.60.E		Set with 10 tissues
Fiber container replacement	QXA-007		

### Spare parts

Heating element	QXA-008	Pre-heating and curing of connectors
Accumulator	QXA-009	Power supply for manipulator
Power supply (230 V)	QXA-010	
Power supply (115 V)	QXA-011	
Ceramic cleaver	QXA-012	
Powder container seal	QXA-018	

Please find more information on fiber optic connectors in our general catalogue or on [www.hubersuhner.com](http://www.hubersuhner.com)

## HUBER+SUHNER is certified according to ISO 9001 and ISO 14001.

### Waiver

While the information contained in this folder has been carefully compiled to the best of our present knowledge, it is not intended as representation or warranty of any kind on our part regarding the suitability of the products concerned for any particular use or purpose and neither shall any statement contained herein be construed as a recommendation to infringe any industrial property rights or as a license to use any such rights. The suitability of each product for any particular purpose must be checked beforehand with our specialists.

**HUBER+SUHNER - Excellence in Connectivity Solutions**



HUBER+SUHNER AG  
Fiber Optics Division  
9100 Herisau, Switzerland  
Phone +41 (0)71 353 41 11  
Fax +41 (0)71 353 46 47  
[www.hubersuhner.com](http://www.hubersuhner.com)