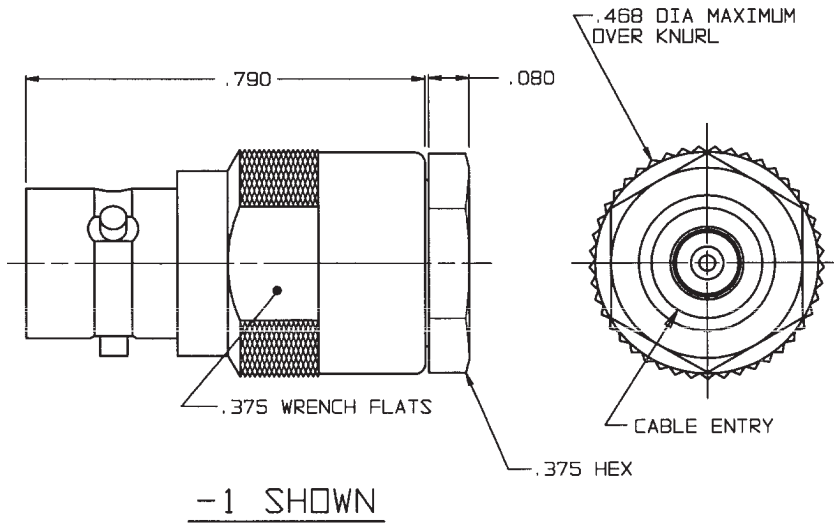
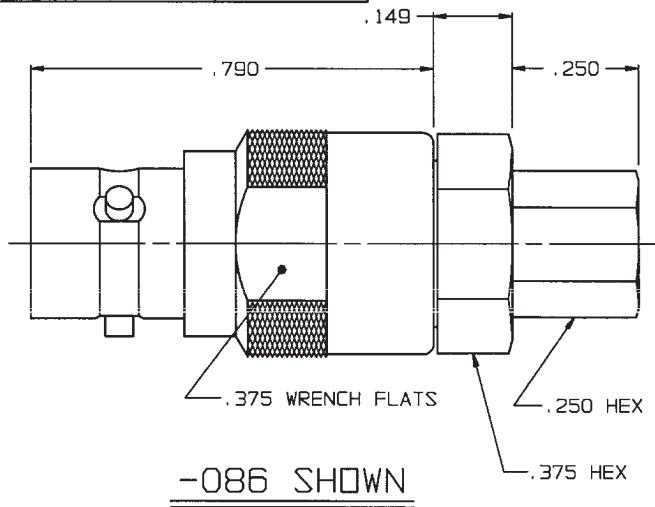


RED INDICATES ORIGINAL

DASH NO	CABLES ACCOMMODATED	ASSEMBLE PER	INCH	MM
-1	RG-58	TAI-135	.005	0.13
-2	RG-59		.080	2.03
-2A	8279 BELDEN		.149	3.78
-2B	730A AT&T 4	TAI-108	.250	6.35
-3	RG-223	TAI-135	.375	9.53
-4	RG-122		.468	11.89
-5	RG-174		.790	20.07
-5A	RG-196			
-22	RG-180			
-31	GRUMMAN GC875GP1	TAI-130		
-36	CXN1362; GORE			
-086	RG-405			
-141	RG-402			

DWG SIZE **B**
 DATA CONTAINED IN THIS DOCUMENT IS PROPRIETARY TO TROMPETER ELECTRONICS INC. AND SHALL NOT BE DISCLOSED, COPIED OR USED FOR PROCUREMENT OR MANUFACTURE WITHOUT EXPRESS WRITTEN PERMISSION.

REVISONS			1-0137		SH 1
REV	ECO	DESCRIPTION	DWN	APPROVED	DATE
M	11815	REVISED, REDRAWN AND GENERAL UPDATE: ADDED -36; DRAWING NUMBER WAS 1000-0137; SEE ECO	DKC	<i>DKC</i>	10/23/96



- 4 NOT WRENCH CRIMP
3. FEMALE TYPE TPS COAXIAL JACK
 2. FINISH: TFS-1A (NICKEL)
 1. ALL DIMENSIONS ARE IN INCHES

QTY	DESCRIPTION		PART NUMBER	ITEM
TOL UNLESS SPECIFIED	TROMPETER ELECTRONICS, INC.		CJ50	
.XX ±				
.XXX ±.005				
.XXXX ±				
ANGLES ±				
DWN	DKC	10-11-96	MATERIAL	CODE IDENT
CHK	<i>DKC</i>	<i>10-23-96</i>		14949
ENGR				DRAWING NO. 1-0137
APPR	<i>DKC</i>	<i>10/23/96</i>	SCALE 4/1	DATE 1-17-66
NEXT ASSY				SHEET 1 OF 2
				REV M