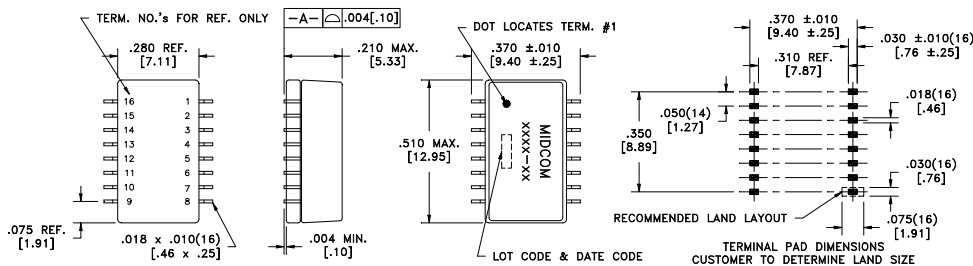


T1/E1 ISDN-PRI Single Port SMD PDSO-G16

Midcom



DigitalTelecom



Features

- RoHS compliant versions available
- Industry standard PDSO-G16 package
- Transfer molded for high reliability
- Transmit and receive in the same package
- Optional pin-outs
- Meets ITU G.703 ISDN-Primary rate recommendations
- Operating temperature range of -40°C to $+85^{\circ}\text{C}$
- Matched to IC manufacturers' transceivers
- Designed to meet UL1459, UL1950 and IEC60950 requirements

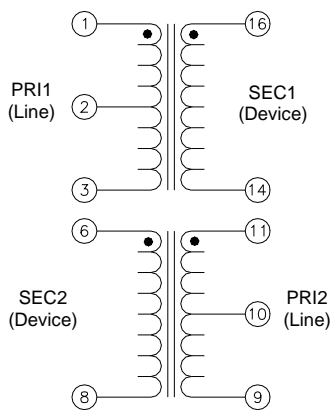
Part Number	Transmit (PRI1:SEC1)	Receive (PRI2:SEC2)	LPRI @20°C (mH Min)	Leakage L (μH Max)	DCR PRI (ohms Max)	DCR SEC (ohms Max)	Schematic
50661R	1CT:1	1CT:1	1.2	0.5	0.7	0.7	1
51114R	1CT:1CT	1CT:1CT	1.2	0.5	0.7	0.7	5
51350R	1CT:2.4CT	1CT:1CT	1.0	0.8	0.85	1.5	5
50650R	1.15CT:1	1CT:1	1.2	0.5	0.7	0.7	1
50651R	1.26CT:1	1CT:1	1.2	0.5	0.7	0.7	1
50652R	1.36CT:1	1CT:1	1.2	0.5	0.7	0.7	1
50653R	1.66CT:1	1CT:1	1.2	0.5	0.7	0.7	1
50654R	1.15CT:1	1.15CT:1	1.2	0.5	0.7	0.7	2
50655R	1.36CT:1	1.15CT:1	1.2	0.5	0.7	0.7	1
50830R	1.26CT:1	1.26CT:1	1.2	0.5	0.7	0.7	4
51226R	1CT:1CT	1.36CT:1CT	1.2	0.5	0.7	0.7	5
50656R	1.36CT:1	1.36CT:1	1.2	0.5	0.7	0.7	1
50657R	1.41CT:1	1.41CT:1	1.2	0.5	0.7	0.7	3
50658R	1CT:1	2CT:1	1.2	0.5	0.7	0.7	1
50893R	1CT:1	2CT:1	1.2	0.5	0.7	0.7	6
51416R	1CT:1CT	2CT:1CT	1.2	0.5	0.7	0.7	5
51057R	1CT:2CT	2CT:1CT	1.2	0.5	0.7	0.7	1
50659R	1.15CT:1	2CT:1	1.2	0.5	0.7	0.7	1
51441R	1.15CT:1	2CT:1CT	1.2	0.5	0.7	0.7	7
50660R	1.26CT:1	2CT:1	1.2	0.5	0.7	0.7	1
50649R	1.35CT:1CT	2CT:1CT	1.2	0.5	0.7	0.7	5
50648R	2CT:1CT	2CT:1CT	1.2	0.5	0.7	0.7	5
50662R	2.32CT:1	2CT:1	1.2	0.5	0.7	0.7	1
51716R	2.2CT:1CT	2.2CT:1CT	1.2	0.5	0.7	0.7	5
50663R	2.42CT:1CT	2.42CT:1CT	1.2	0.5	0.7	0.7	2

(Schematics on following page)

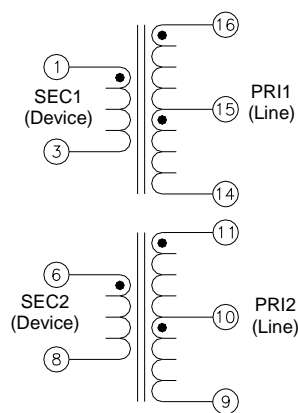
**T1/E1 ISDN-PRI Single Port
SMD PDSO-G16**

Midcom

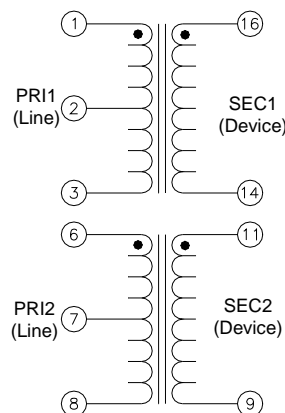
DigitalTelecom



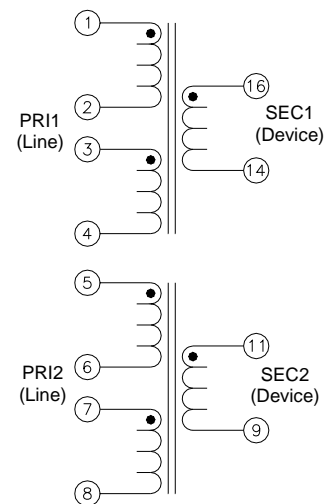
Schematic 1



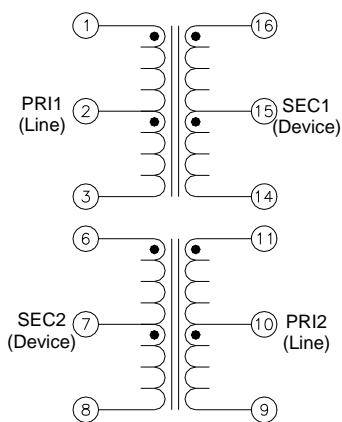
Schematic 2



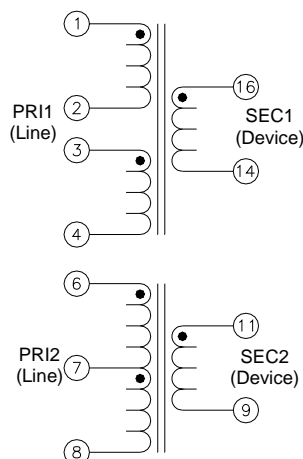
Schematic 3



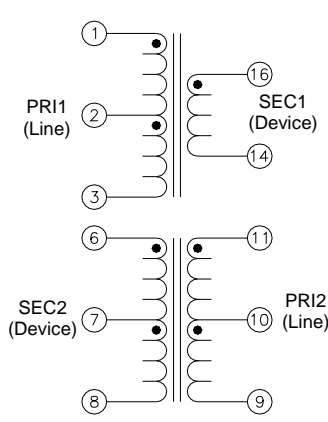
Schematic 4



Schematic 5



Schematic 6



Schematic 7