

REV. Status

ISSUE 1
01/08/92 HA

ISSUE 2
TEMECULA
WAS CARSON.
ADDED T2106
MICROTRAN
01/10/96 TS

ISSUE 3
REV A.1 & A.2
ADDED "CT"
1/19/96 TS

TELECOMMUNICATION DRY COUPLING TRANSFORMER DESIGNED TO OPERATE AT A MAXIMUM LEVEL OF +7dBm AND TO REFLECT A PRIMARY SOURCE IMPEDANCE OF 600 Ω CT WITH 600 Ω CT LOAD ON SECONDARY

A. Electrical Specifications (@ 25 ° C)

1. Pri Source Impedance; 600 Ω CT
2. Sec Load Impedance; 600 Ω CT
3. Operating Level; -45 dBm to +7 dBm
4. Insertion Loss; 1.2 dB MAX @ 1 KHz, 0 dBm
5. Frequency Response; ±0.5 dB 300 Hz to 3.5 KHz @ 0 dBm
6. Primary Impedance; 600 Ω ±10% @ 300 Hz to 3.5 KHz, 0 dBm
7. Total Harmonic Distortion; 0.5% MAX @ 300 Hz to 3.5 KHz, 0 dBm
8. Return Loss; 22 dB MIN (ERL measurement)
26 dB TYP
9. Longitudinal Balance; 60 dB MIN @ 200 Hz to 1 KHz
40 dBm MIN @ 4 KHz
10. DC Resistance; (1-3) = 36 Ω ±20%
(4-6) = 50 Ω ±20%
11. Turns Ratio; (1-3) : (4-6) = 1 : 1.03 ±2%
12. Dielectric Strength; 1500 Vrms 1 minute @ Pri to Sec, Pri to Core
1000 Vrms 1 minute @ Sec to Core

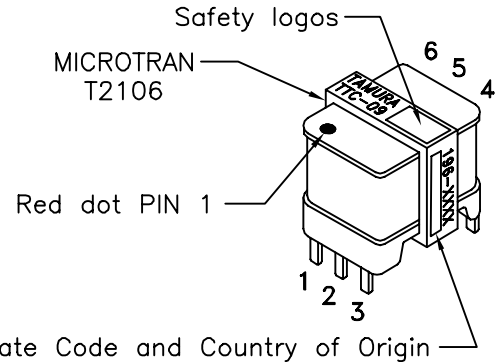
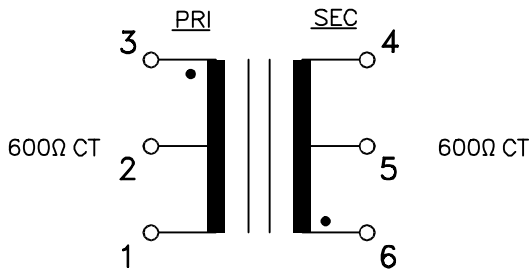


MODEL NUMBER
TTC-09

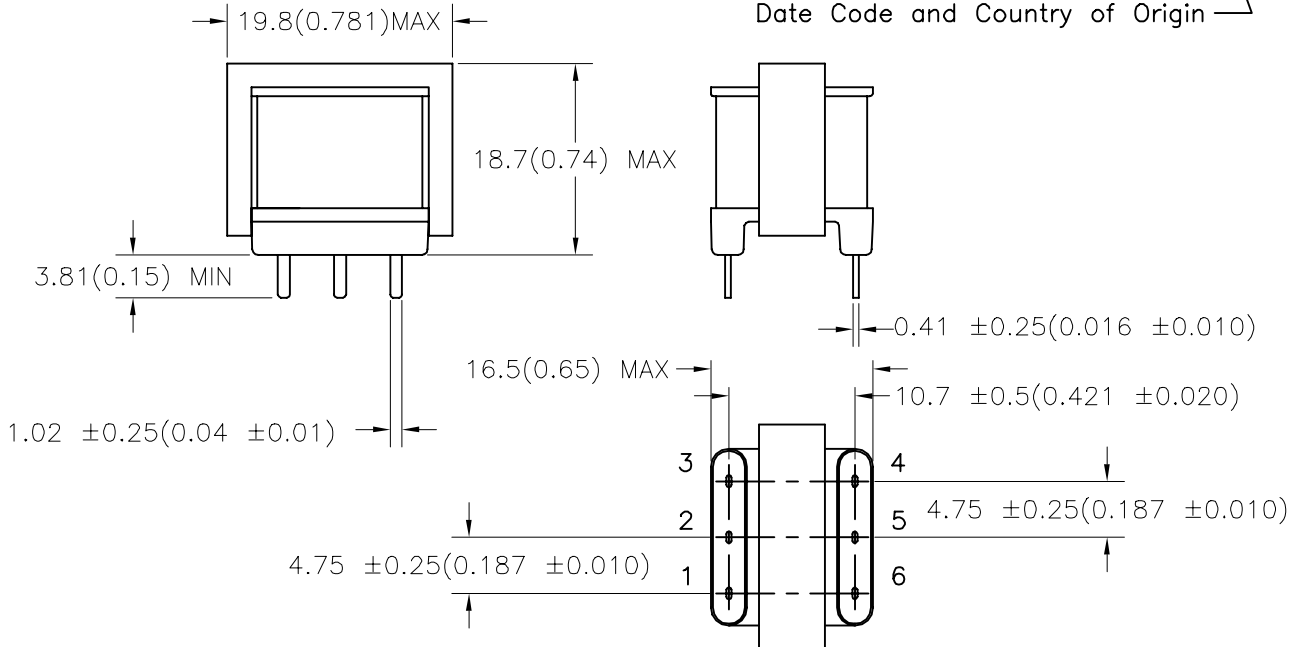
B. Marking; TTC-09, TAMURA, T2106, MICROTRAN, date code and country of origin

C. Safety; CSA-C22.2 No. 66-M1988 File No. LR81383
UL 1863 File No. E142035

D. Schematic Diagram



E. Mechanical Specifications



PREPARED BY:

K. Brennan

ENGINEER:

T. Shiozawa

QUALITY CONTROL:

V. Casey

APPROVED:

V. Casey

DWG CONTROL NO.
P-A1-10522
ACAD\TTC\A1105221.DWG

REV
B

TELECOMMUNICATION COUPLING
TRANSFORMER

TAMURA CORPORATION OF AMERICA
43352 BUSINESS PARK DRIVE, TEMECULA, CA. 92590-6624
(909) 699-1270 FAX 9096769482

TTC-09

MODEL SPECIFICATION

DIM: mm(In) SCL: NONE SH: 1 OF 1

PROPRIETARY NOTICE: THIS DRAWING PRINT OR DOCUMENT AND SUBJECT MATTER DISCLOSED HEREIN ARE PROPRIETARY ITEMS TO WHICH TAMURA RETAINS THE EXCLUSIVE RIGHT OF DISSEMINATION, REPRODUCTION, MANUFACTURE AND SALE. THIS DRAWING, PRINT OR DOCUMENT IS SUBMITTED IN CONFIDENCE FOR CONSIDERATION BY THE RECIPIENT ALONE UNLESS PERMISSION FOR FURTHER DISCLOSURE IS EXPRESSLY GRANTED IN WRITING.