

General Specifications

Motor Structure: Shaded Pole Induction Motor
 Motor Protection: Impedance Protection
 Insulation Resistance: 10M Ohm over with DC500V Megger
 Dielectric Withstand Voltage: AC 700V 1s
 Allowable Ambient Temperature Range:
 -10 degree C ~ +70 degree C (Operating)
 -40 degree C ~ +70 degree C (Storage)
 (non-condensing environment)

order part 06030PB-A0L-AA-00_50Hz Ball Bearing Fan AC Axial Fans

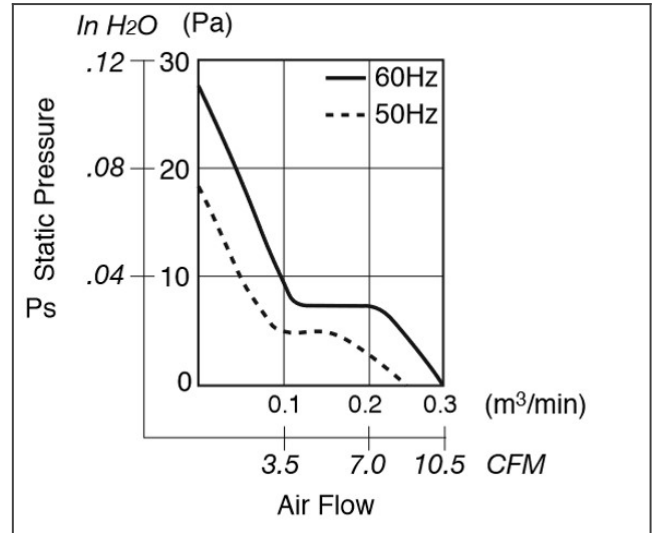


AC Axial Fans

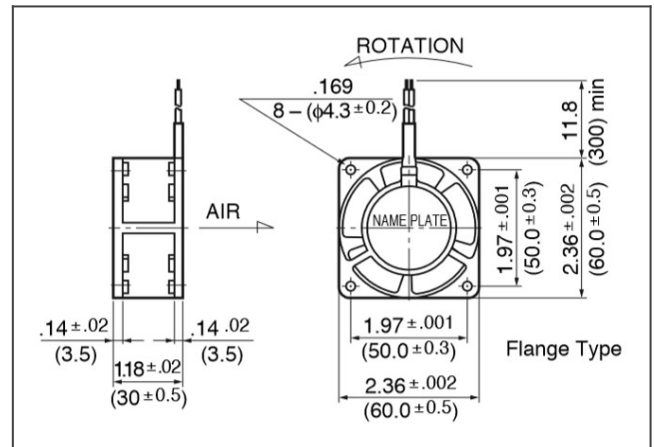
Material

Casing: Aluminum Black Painting
 Impeller: Plastic (Black) UL94V-0
 Lead Wire: UL3266, AWG22

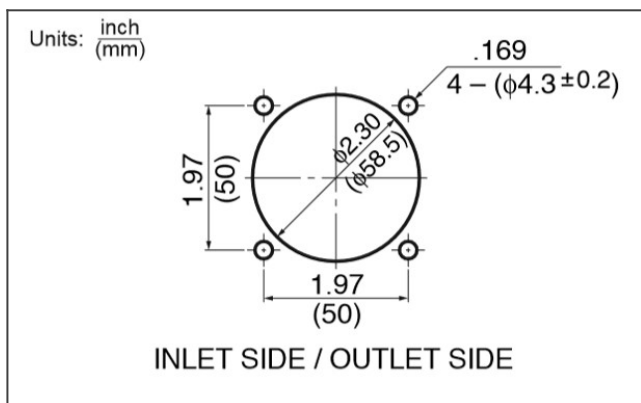
06030PB characteristics curve



06030PB product drawing



06030PB panel cut out



Detailed Specifications

Expected Life:	*Failure rate 10% 25deg.C 100,000 hours
Nominal Voltage:	100[V]
Frequency:	50[Hz]
Starting Voltage:	65[V]
AC Fans:	Ball Bearing Fan
Current:	0.08[A]
Input Power (+10% - 20%):	6[V]
Speed:	2000[min^{-1}]
Max. Air Flow:	0.2[m^3/min]
Max. Air Flow:	7.1[CFM]
Max. Static Pressure:	13.7[Pa]
Max. Static Pressure:	0.05[In H ₂ O]
Noise:	28[dB]
Fan Size:	60[mm]
Fan Width:	30[mm]
Mass:	140[g]