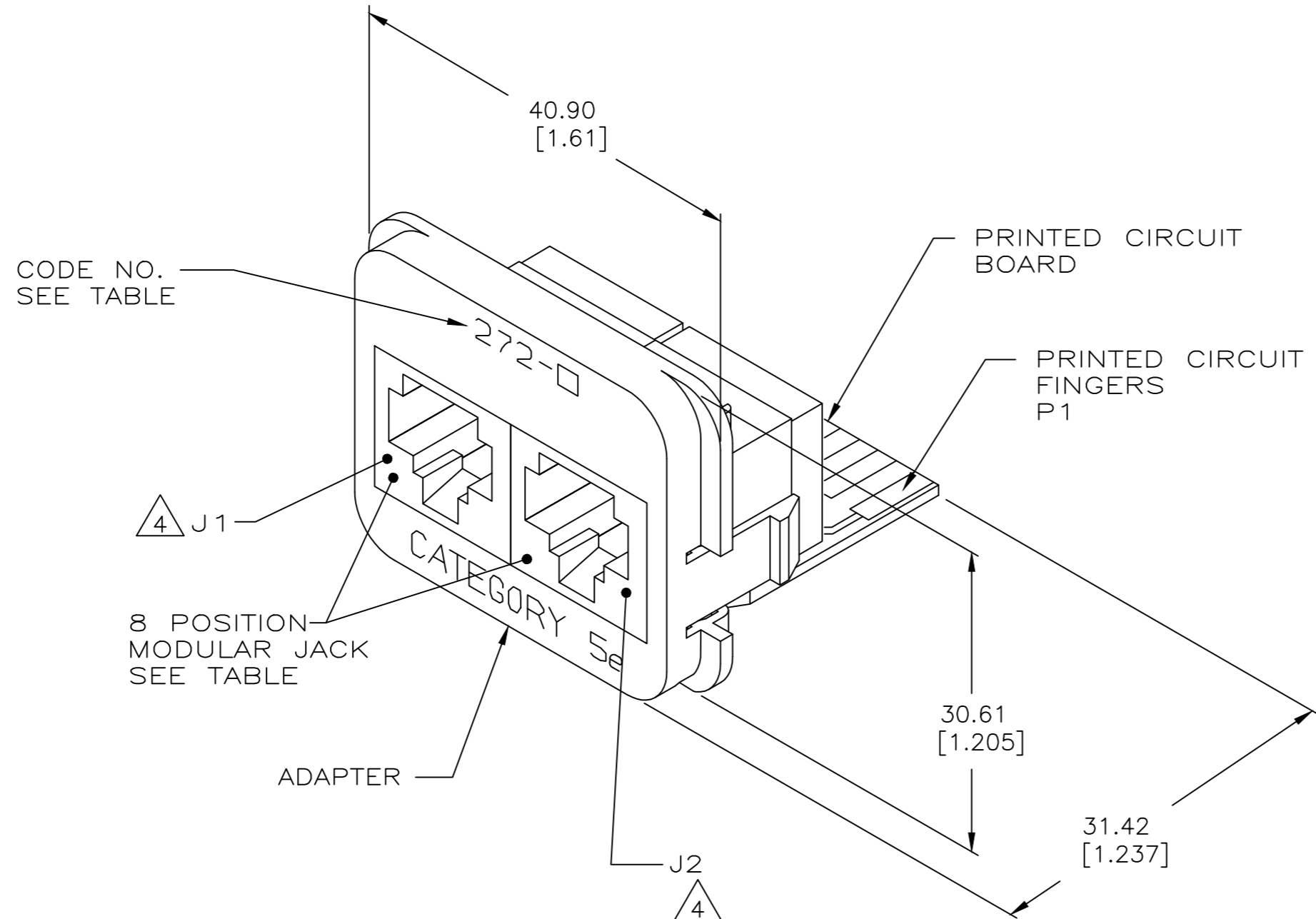


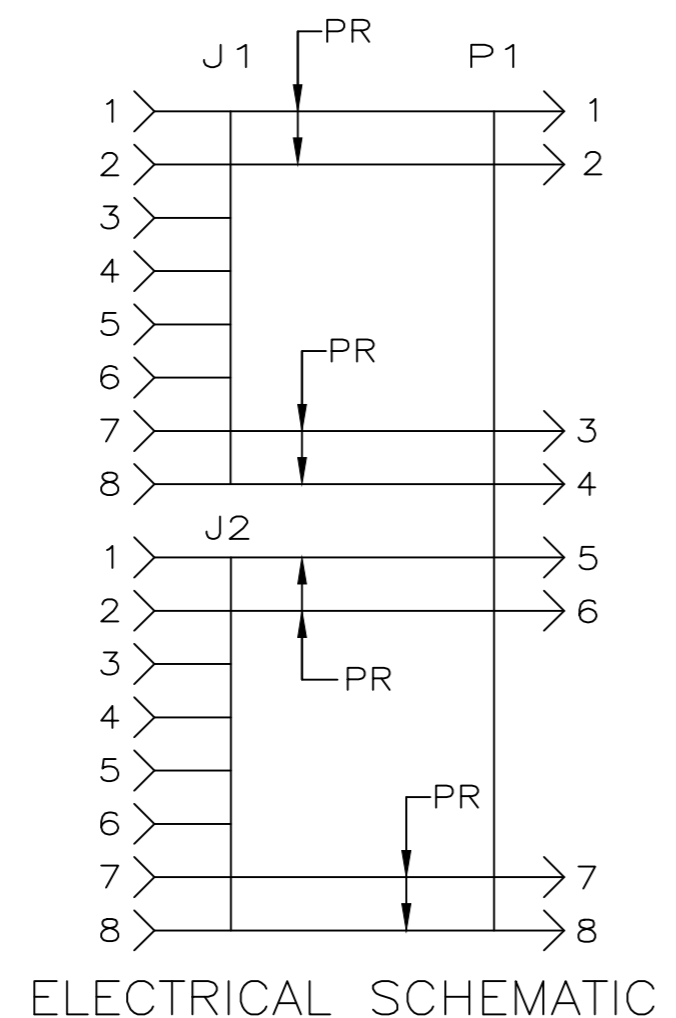
THIS DRAWING IS UNPUBLISHED. RELEASED FOR PUBLICATION

© 2016 Commscope, INC. Confidential NOTICE: These drawings and specifications are the proprietary property of COMMSCOPE, INC. and may be used only for the specific purpose authorized in writing by COMMSCOPE, INC.

REVISIONS				
P	LTR	DESCRIPTION	DATE	APVD
	D1	REV: MCO-40031437MCO	30JUN2016	HG RA



- 1 DIMENSIONS ARE MAXIMUM.
- 2 MATERIAL:PRINTED CIRCUIT BOARD-LAMINATED PLASTIC SHEET, 1.57[.062] THICK. ADAPTER-ABS MOLDING COMPOUND,SEE TABLE. PRINTED CIRCUIT FINGERS-[.000020] 0.51μm MINIMUM GOLD PLATE OVER [000050]1.27μm MINIMUM NICKEL PLATE.
- 3. THIS INSERT IS DESIGNED TO MATE WITH AMP INC. EDGE CONNECTOR KIT AND WALLBOX KITS.
- 4 THIS INTERCONNECT MEETS THE REQUIREMENTS OF IEC 603-7.



<b>OBSELETE</b>	STANDARD	272-6	BLACK	IVORY	557272-6
	STANDARD	272-1	BLACK	LIGHT ALMOND	557272-1
	MODULAR JACKS	CODE NO.	MARKING COLOR	ADAPTER	PART NO.

THIS DRAWING IS A CONTROLLED DOCUMENT.		DWN M.D.BYERLY 8-20-93	COMMSCOPE, INC.		
DIMENSIONS: mm [INCHES]		CHK B.FOX 10-18-93			
TOLERANCES UNLESS OTHERWISE SPECIFIED:		APVD D.BECK 10-18-93	NAME INSERT ASSEMBLY, DUAL, RJ45, TP-PMD, CATEGORY 5e, AMP COMMUNICATION OUTLET		
0 PLC ± - 1		PRODUCT SPEC	SIZE	CAGE CODE	DRAWING NO.
1 PLC ± - 2		APPLICATION SPEC	A2	00779	C=557272
2 PLC ± - 3		WEIGHT	RESTRICTED TO		
3 PLC ± - 4		FINISH	CUSTOMER DRAWING		
4 PLC ± - ANGLES ± -		SCALE	SHEET		REV
MATERIAL		2:1	1 of 1		D1