

TROUGH LINE DESIGN

DC to 18, 26.5 GHz



FEATURES

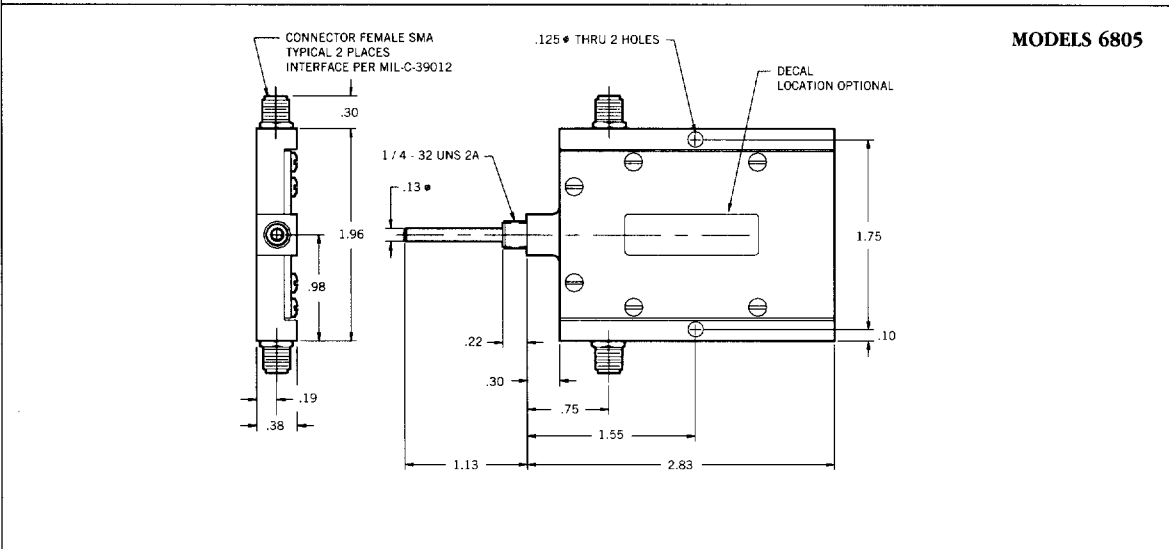
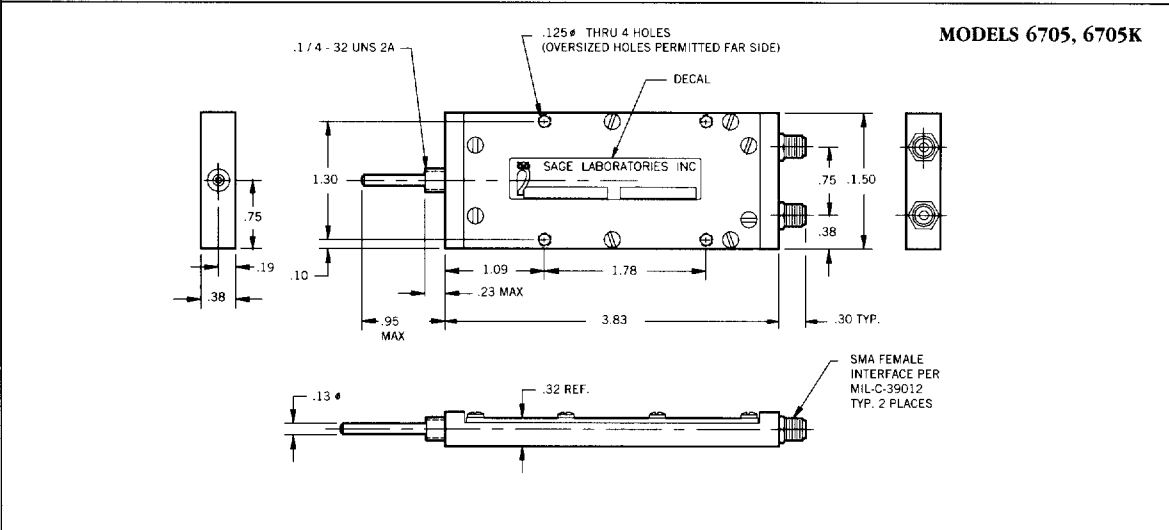
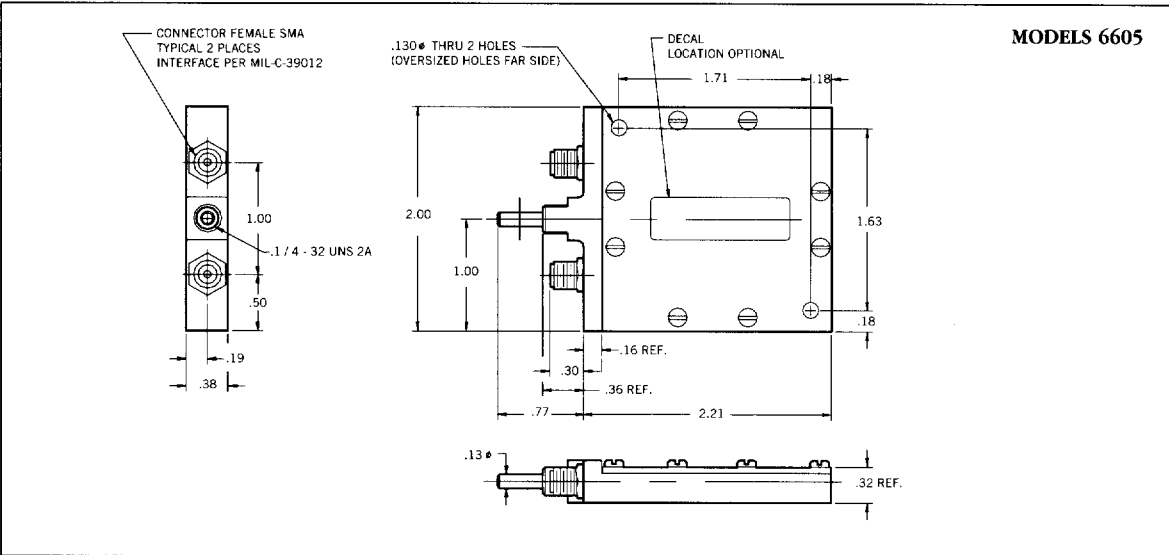
- High power
- Long life
- Wide phase shift range



SPECIFICATIONS

Model	6605	6705	6805	6705K
Frequency range (GHz)	DC-18	DC-18	DC-18	DC-26.5
Phase shift, min (°/GHz)	40	40	40	40
Phase shift, nom (°/GHz/Shaft turn)	1.5	1.5	1.5	1.5
Insertion phase, nom at min phase setting (°/GHz)	140	140	150	130
Number of turns, min	26	26	26	26
VSWR, max				
DC to 18 GHz	1.60	1.60	1.60	1.60
18 to 26.5 GHz	1.60	1.60	1.60	2.00
Insertion loss, max (dB)				
DC to 18 GHz	1.50	1.50	1.50	1.25
18 to 26.5 GHz	1.50	1.50	1.50	1.75
Power				
Average (watts)	100	100	100	100
Peak (watts)	1000	1000	1000	1000
Time delay range, nom (nsec)	0.4-0.5	0.4-0.5	0.4-0.5	0.4-0.5
Connectors	SMA	SMA	SMA	K
Weight				
Ounces	2.5	3.75	3.0	3.75
Grams	71	93	85	93

OUTLINE DRAWINGS



PHASE SHIFTERS