



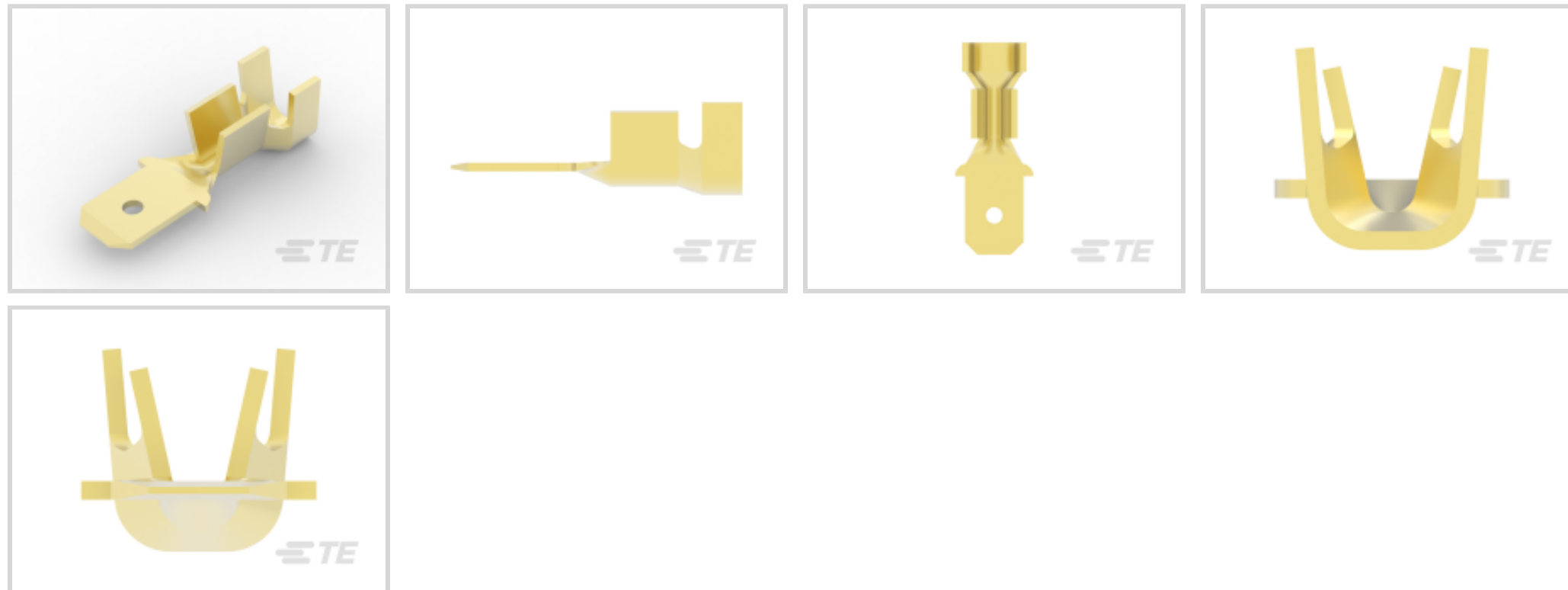
FASTON | FASTON 187

TE Part # 60850-1

TE Internal #: 60850-1

[View on TE.com >](#)

Terminals & Splices > Quick Disconnects



Terminal & Splice Type: **Tab**

Wire Size: **.82 – 2.08 mm²**

Mating Tab Width: **4.75 mm [.187 in]**

Mating Tab Thickness: **.51 mm [.02 in]**

Features

Product Type Features

Wire Stop	No
Wire/Cable Type	Regular Wire
Terminates To	Wire & Cable
Insertion Force	Normal
Sealable	No
Insulated	No

Configuration Features

Connection Capacity	Single
---------------------	--------

Body Features

Fully Insulated	No
Plating Material	Unplated

Contact Features

Terminal Type	Tab
Terminal & Splice Type	Tab
Terminal Orientation	Straight
Contact Base Material	Brass

Crimp Type	F-Crimp
Barrel Type	Open

Mechanical Attachment

Mating Retention Type	Hole
Wire Insulation Support	With

Dimensions

Accepts Wire Insulation Diameter Range	3.05 – 3.81 mm [.12 – .15 in]
Overall Length	17.14 mm [.675 in]
Receptacle Terminal Stock Thickness	.51 mm [.02 in]
Wire Size	.82 – 2.08 mm ²
Mating Tab Width	4.75 mm [.187 in]
Mating Tab Thickness	.51 mm [.02 in]

Usage Conditions

Operating Temperature Range	-40 – 110 °C [-40 – 230 °F]
-----------------------------	-----------------------------

Industry Standards

UL Rating	Listed
CSA Certified	Yes

Packaging Features

Packaging Quantity	3500
Packaging Method	Strip/Reel

Product Compliance

[For compliance documentation, visit the product page on TE.com>](#)

EU RoHS Directive 2011/65/EU	Compliant
EU ELV Directive 2000/53/EC	Compliant
China RoHS 2 Directive MIIT Order No 32, 2016	No Restricted Materials Above Threshold
EU REACH Regulation (EC) No. 1907/2006	ECHAによる現在の候補リスト: 2019年1月(197) 候補リストの表記: 2019年1月(197)
Halogen Content	Low Halogen - Br, Cl, F, I < 900 ppm per homogenous material. Also BFR/CFR/PVC Free
Solder Process Capability	Not applicable for solder process capability

Product Compliance Disclaimer

This information is provided based on reasonable inquiry of our suppliers and represents our current actual knowledge based on the information they provided. This information is subject to change. The part numbers that TE has identified as EU RoHS compliant have a maximum concentration of 0.1% by weight in homogenous materials for lead, hexavalent chromium, mercury, PBB, PBDE, DBP, BBP, DEHP, DIBP, and 0.01% for cadmium, or qualify for an exemption to these limits as defined in the Annexes of Directive 2011/65/EU (RoHS2). Finished electrical and electronic equipment products will be CE marked as required by Directive 2011/65/EU. Components may not be CE marked. Additionally, the part numbers that TE has identified as EU ELV compliant have a maximum concentration of 0.1% by weight in homogenous materials for lead, hexavalent chromium, and mercury, and 0.01% for cadmium, or qualify for an exemption to these limits as defined in the Annexes of Directive 2000/53/EC (ELV). Regarding the REACH Regulations, TE's information on SVHC in articles for this part number is still based on the European Chemical Agency (ECHA) 'Guidance on requirements for substances in articles' (Version: 2, April 2011), applying the 0.1% weight on weight concentration threshold at the finished product level. TE is aware of the European Court of Justice ruling of September 10th, 2015 also known as O5A (Once An Article Always An Article) stating that, in case of 'complex object', the threshold for a SVHC must be applied to both the product as a whole and simultaneously to each of the articles forming part of its composition. TE has evaluated this ruling based on the new ECHA "Guidance on requirements for substances in articles" (June 2017, version 4.0) and will be updating its statements accordingly.

Compatible Parts



TE Part # 2-2266314-2
OCEAN_2.0_Applicator-S-110F180OA



TE Part # 2266314-2
OCEAN_2.0_Applicator-S-110F180OA



TE Part # 2-2266314-1
OCEAN_2.0_Applicator-S-110F180O



TE Part # 7-2266314-7
OCEAN_2.0_SPARE_PART_KIT-110F180O



TE Part # 2266314-1
OCEAN_2.0_Applicator-S-110F180O


Also in the Series | FASTON 187



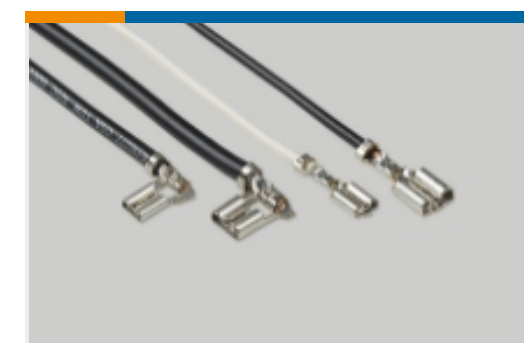
Crimp Terminal Housings
(33)



Insulation Boots & Sleeves
(7)



PCB Terminals(44)



Quick Disconnects(224)



Splices(1)

Customers Also Bought



TE Part #640251-1
01P SL156 HSG W/O
RAMP NATL



TE Part #1-1627101-2
H2592B/R1300



TE Part #1-1627187-2
H430B/R2500



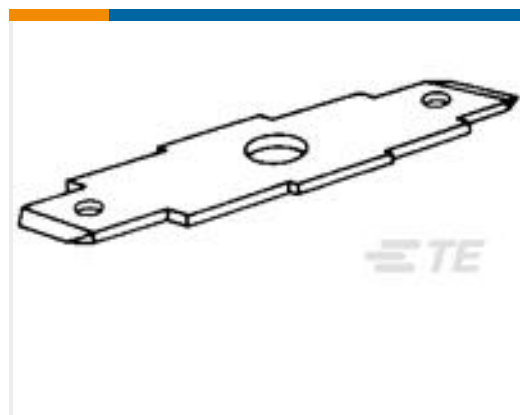
TE Part #41911
RING 190(4.82 MM)
TERMINAL 12-10 AWG BR



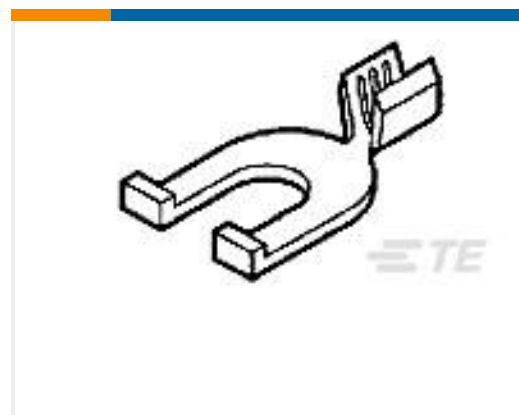
TE Part #1-1627102-1
H2593B/R2500



TE Part #1-1627102-4
UH2593ET/R2500



TE Part #60922-1
.205 FAST TEST TAB BR



TE Part #63526-1
FLANGED SPADE
TERMINAL 12-10 AWG BR



TE Part #9-568176-6
CRIMPER, WIRE



TE Part #9-917684-1
2.5 SGL DBL LOCK REC
CONT

Documents

Product Drawings

[FASTON 187 TAB 18-14 AWG BR](#)

English

CAD Files

[3D PDF](#)

[3D](#)

[Customer View Model](#)

[ENG_CVM_CVM_60850-1_AM.2d_dxf.zip](#)



English

Customer View Model

[ENG_CVM_CVM_60850-1_AM.3d_igs.zip](#)

English

Customer View Model

[ENG_CVM_CVM_60850-1_AM.3d_stp.zip](#)

English

Datasheets & Catalog Pages

[FASTON Tabs](#)

English

Product Specifications

[Application Specification](#)

English

Product Environmental Compliance

[Product Compliance](#)

English

[Product Compliance](#)

English

Agency Approvals

[UL Report](#)

English