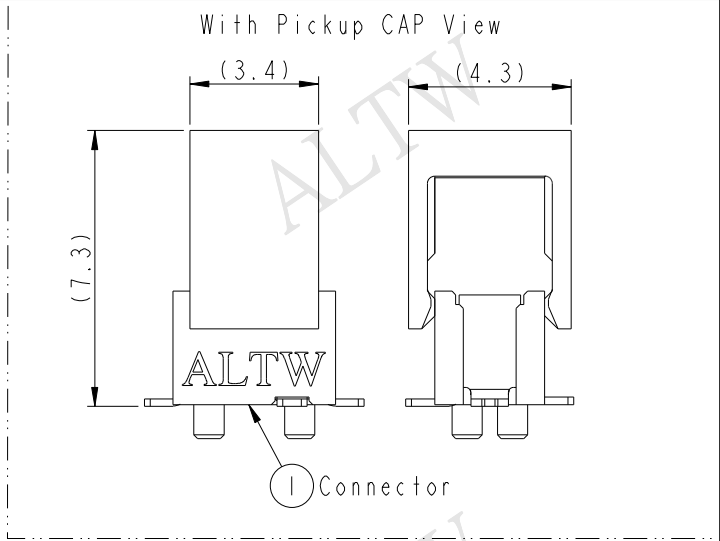
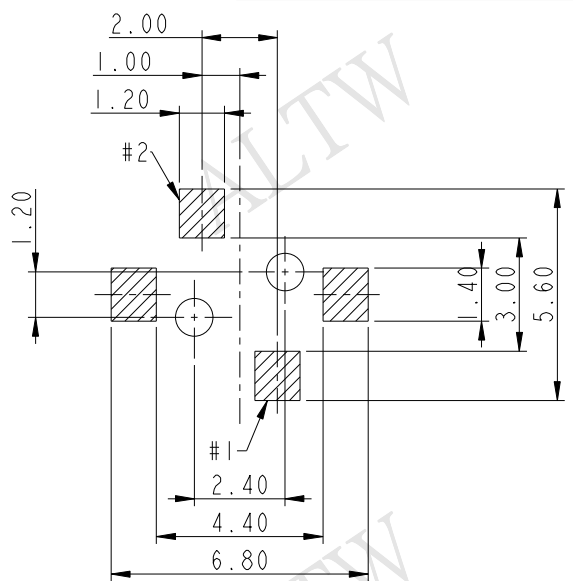
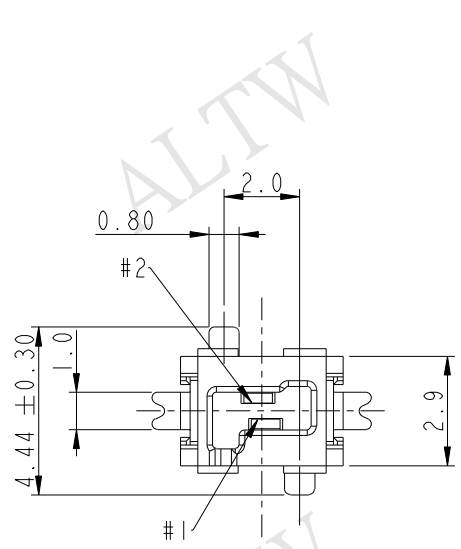
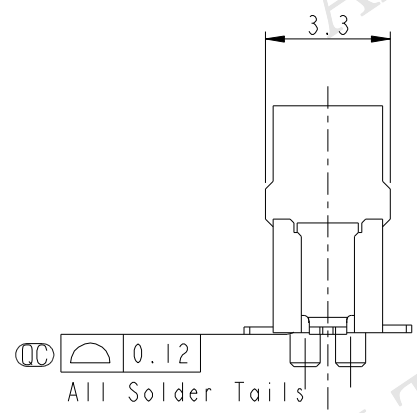
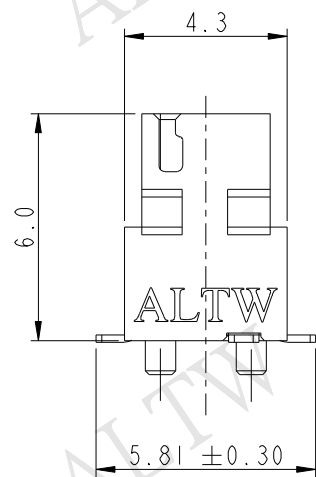


| REV. | ECN NO. | DATE | SIGN | DESCRIPTION |
|------|-----------------|------------|--------|------------------------|
| A | Initial Release | 2013-11-06 | Fisher | Initial Release |
| B | LE314A0172 | 2014-10-17 | Fisher | Change Q'ty of Package |



RECOMMENDED P.C.B. LAYOUT
GENERAL TOLERANCE IS ±0.05



ALTW
CONFIDENTIAL
2014-10-17
R&D DEPT.

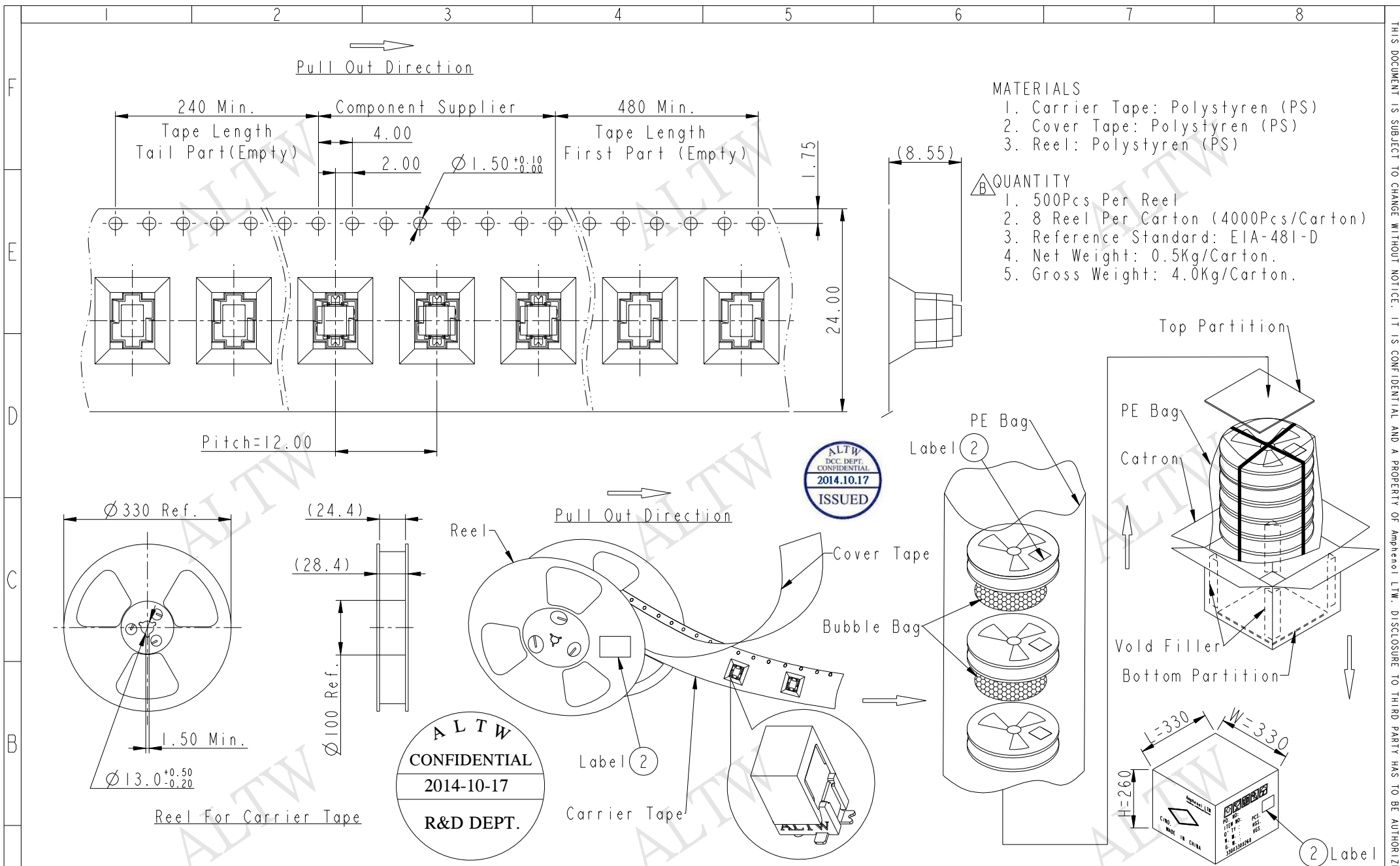
ALTW
DCC. DEPT.
CONFIDENTIAL
2014.10.17
ISSUED

- Notes:
- * Ⓞ Important Dimension To Check.
 - * Housing: High temperature thermoplastic.
UL94V-0, color is Natural white.
 - * Pickup Cap: High temperature thermoplastic.
UL94V-0, color is Black.
 - * Terminal: Copper Alloy, Gold Plated on contact area. Tin plated on solder tails.
 - * Solder Peg: Copper Alloy, Tin plated over Nickel.

| | | | | | | | | |
|---------|--|---|-----------------|------------------------------|-----------------|-------------------------------|------------------------------|------------------------|
| UNIT:mm | | TITLE SSL-1.1 DC 2P JACK CONN, WITH POST,S/T,SMT TYPE | | Amphenol LTW | | ITEM NO SSL11-J2A00-000001 | DRAWN BY Fisher_Wang | DATE 2014-10-17 |
| | | TOLERANCE .X ±0.25 .XX ±0.1 .XXX ±0.05 ANGLES ±1° | SCALE 5:1 | SIZE A4 | SHEET 1 OF 2 | 安費諾亮泰企業股份有限公司 | DWG NO SSL11-J2A00-000001 | CHECKED BY Ivan_Lin |
| | | REV. B | WC-REV. A.15 | Ⓞ : Inspection item | | CUSTOMER ALTW | APPROVED BY Kevin_Hu | DATE 2014-10-17 |

THIS DOCUMENT IS SUBJECT TO CHANGE WITHOUT NOTICE. IT IS CONFIDENTIAL AND A PROPERTY OF Amphenol LTW. DISCLOSURE TO THIRD PARTY HAS TO BE AUTHORIZED BY Amphenol LTW.

THIS DOCUMENT IS SUBJECT TO CHANGE WITHOUT NOTICE. IT IS CONFIDENTIAL AND A PROPERTY OF Amphenol LTW. DISCLOSURE TO THIRD PARTY HAS TO BE AUTHORIZED BY Amphenol LTW.



- MATERIALS**
1. Carrier Tape: Polystyren (PS)
 2. Cover Tape: Polystyren (PS)
 3. Reel: Polystyren (PS)
- QUANTITY**
1. 500Pcs Per Reel
 2. 8 Reel Per Carton (4000Pcs/Carton)
 3. Reference Standard: EIA-481-D
 4. Net Weight: 0.5Kg/Carton.
 5. Gross Weight: 4.0Kg/Carton.

| | | | | | | | | | | | | | | | | |
|---------|--|-----------|---|-------|-----|---------|--------------------|----------|-----------------|------|------------|--------|--------------------|------------|----------|------------|
| UNIT:mm | | TITLE | SSL-1.1 DC 2P JACK CONN, WITH POST,S/T,SMT TYPE | | | ITEM NO | SSL11-J2A00-000001 | DRAWN BY | Fisher_Wang | DATE | 2014-10-17 | | | | | |
| | | TOLERANCE | .X ±0.25 | SCALE | 5:1 | SIZE | A4 | SHEET | 2 | OF | 2 | DWG NO | SSL11-J2A00-000001 | CHECKED BY | Ivan_Lin | DATE |
| | | | .XX ±0.1 | REV. | B | WC-REV. | A.8 | QC | Inspection item | | CUSTOMER | ALTW | APPROVED BY | Kevin_Hu | DATE | 2014-10-17 |
| | | | .XXX ±0.05 | | | | | | | | | | | | | |
| | | | ANGLES ±1° | | | | | | | | | | | | | |

Amphenol LTW
安費諾亮泰企業股份有限公司

Label 2