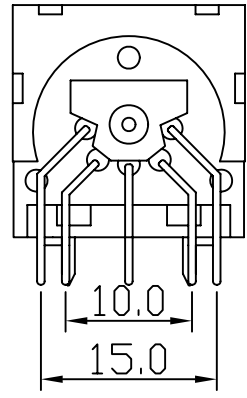
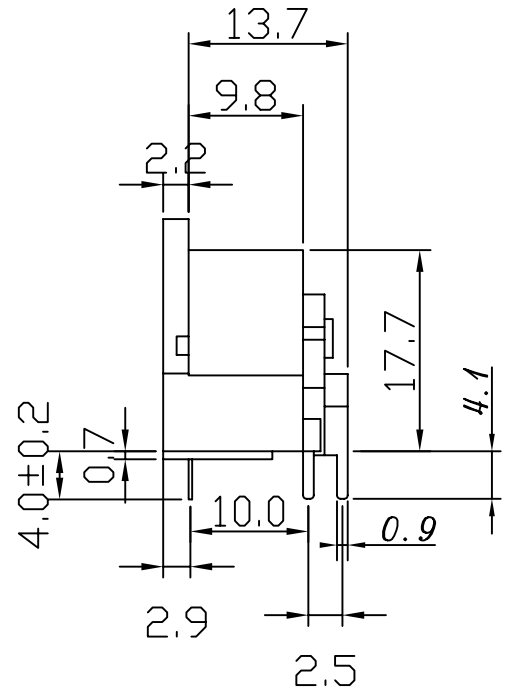
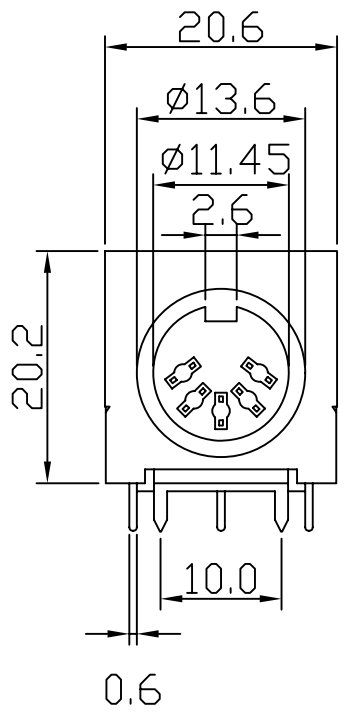


3P 180° 4P 210° 5P 180° 5P 240° 6P 240° 7P 270° 8P 270°

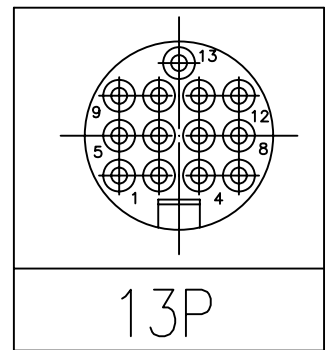
SPECIFICATION:

Contact rating – 1 Ampere.
 Contact resistance – 20 mohm max.
 Operating temperature – -40C to +105C temperature.
 Dielectric withstanding voltage – 1000 VAC / 1 MIN.
 Insulation resistance – 5000 M min. 500 VDC.



DJ-M-xx-LF
 LEADFREE
 05 :180°
 05B:240°

RoHS Compliant



FEATURES:

Contact material – Brass Tin plated.
 Insulator material – Thermoplastic Polyester 30% Glass – fiber (UL 94V-0 rated).
 Color – Black.



PART NO. DJ-M-xx	
DWG NO. DJ-M-xx	
FILE NO.	
UNIT / mm	SCALE 1:1

CHECKED BY CY	TOLERANCES ARE .X±0.2 .XX± .XXX± AWG
DRAWING BY	
PROJECTION	

DESCRIP TION:				
AREA	REVISIONS	HK	DATE	

煜倫股份有限公司