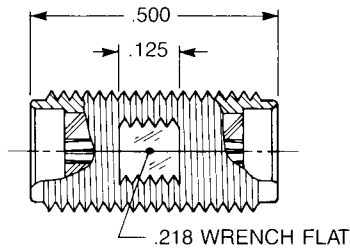


# SMA Adapters

## Straight Adapters



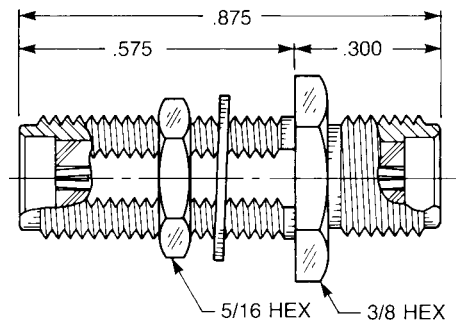
### **Straight Jack To Jack Adapter**

- Connects two plugs

Captive contact:

5917-1103-000 (Gold plated)

5917-9103-000 (Passivated)



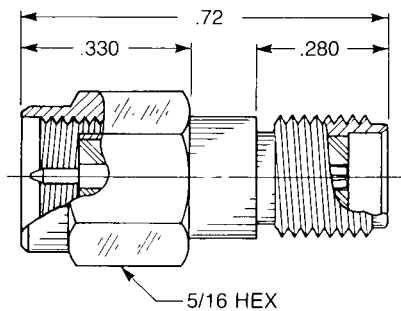
### **Straight Bulkhead Mounted Jack To Jack Adapter**

- Connects two plugs

Captive contact:

5909-1103-000 (Gold plated)

5909-9103-000 (Passivated)



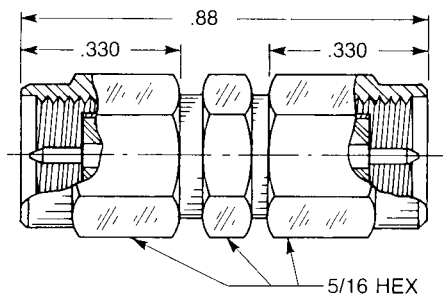
### **Straight Jack To Plug Adapter**

- Prevents damage to equipment-mounted jacks during frequent mating and unmating

Captive contact:

5916-1103-603 (Gold plated)

5916-9103-603 (Passivated)



### **Straight Plug To Plug Adapter**

- Connects two jacks

Captive contact:

5918-1103-000 (Gold plated)

5918-9103-000 (Passivated)



# SMA Adapters

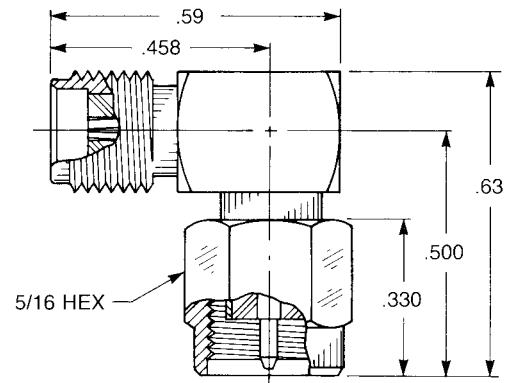
## Right Angle Adapters

### Right Angle Jack To Plug Adapter

- Connects one jack and one plug

5919-1503-000 (Gold plated)

5919-9503-000 (Passivated)

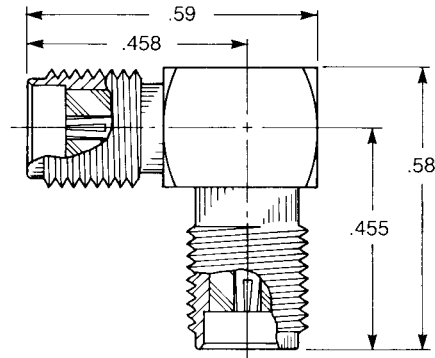


### Right Angle Jack To Jack Adapter

- Connects two plugs

5919-1503-003 (Gold plated)

5919-9503-003 (Passivated)

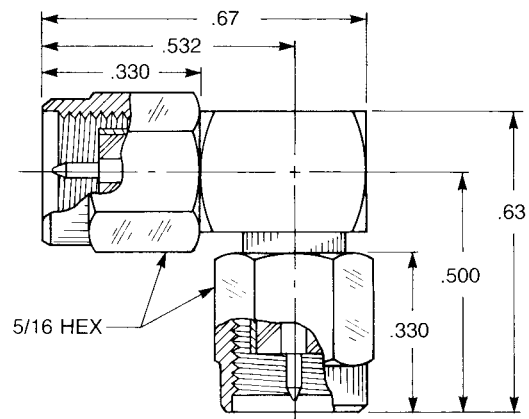


### Right Angle Plug To Plug Adapter

- Connects two jacks

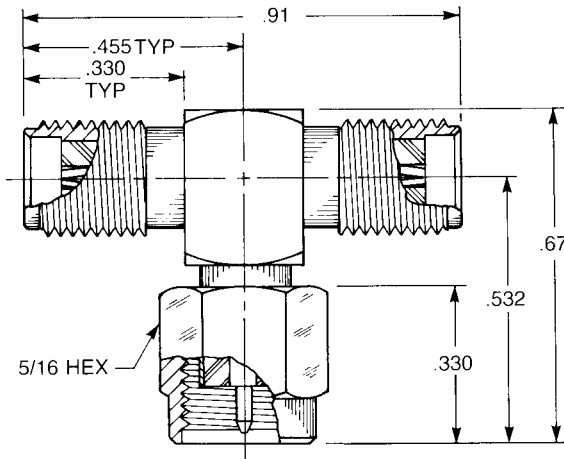
5919-1503-001 (Gold plated)

5919-9503-001 (Passivated)



# SMA Adapters

## Tee Adapters

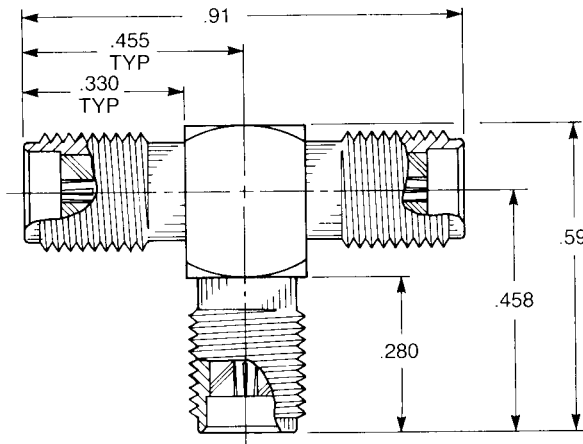


### Tee Adapter (Unmatched Power Divider) Jack To Plug To Jack

- Connects two plugs and one jack

5905-1503-000 (Gold plated)

5905-9503-000 (Passivated)



### Tee Adapter (Unmatched Power Divider) Jack To Jack To Jack

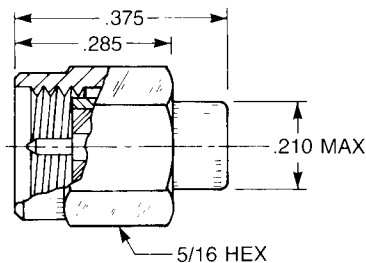
- Connects three plugs

5903-1503-000 (Gold plated)

5903-9503-000 (Passivated)

# SMA Terminations

## Plug Termination

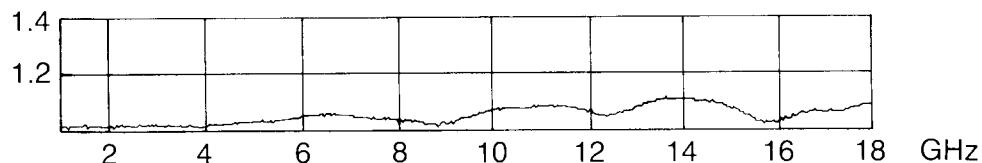


### Plug Resistive Termination (Dummy Load)

- VSWR 1.15: 1 max. to 18 GHz.
- Maximum average power: 1 watt
- Peak power: 1.5 watts

9620-9003-151 (Passivated)

VSWR



APPLIED ENGINEERING PRODUCTS

(203) 776-2813 • FAX (203) 776-8294

www.aepconnectors.com • aepsales@aepconnectors.com