

# PolySwitch® PTC Devices

Overcurrent Protection Device

**PRODUCT: RGEF300**

 DOCUMENT: SCD25192  
 PCN: C95174  
 REV LETTER: D  
 REV DATE: MAY 13, 2011  
 PAGE NO.: 1 OF 1

## Specification Status: Released

### Electrical Rating

**Voltage: 16V MAX**  
**Current: 100A MAX**

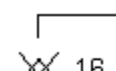
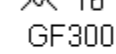

### Insulating Material:

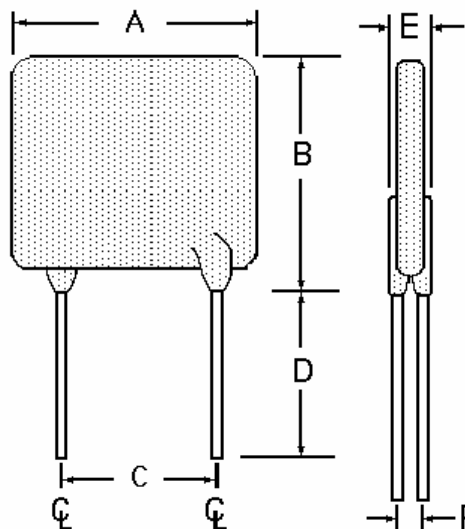
 Cured, Flame Retardant Epoxy Polymer  
 meets UL94 V-0 Requirements

### Lead Material:

 20 AWG Tin Plated Copper  
 (0.81mm [0.032] nom. diameter)

### Marking:

 Manufacturer's Mark  
 and Voltage  
 16  
 GF300 — Part Identification  
 — Lot Identification  
 (can be on back)


**TABLE I. DIMENSIONS:**

	A		B		C		D		E		F
	MIN	MAX	MIN	MAX	MIN	MAX	MIN	MAX	MIN	MAX	TYP
mm:	6.1	7.1	6.1	11.0	4.3	5.8	7.6	-	2.0	3.0	1.2
in*:	(0.24)	(0.28)	(0.24)	(0.43)	(0.17)	(0.23)	(0.30)	-	(0.08)	(0.12)	(0.05)

\*Rounded off approximation

**TABLE II. PERFORMANCE RATINGS :**

I HOLD RATED CURRENT	CURRENT RATINGS		INITIAL RESISTANCE VALUES		TIME TO TRIP	R <sub>1</sub> MAX 1 HR. POST TRIP RESISTANCE STANDARD TRIP	TRIPPED- STATE POWER DISSIPATION
	AMPS AT 25°C HOLD	AMPS AT 25°C HOLD   TRIP	OHMS AT 25°C MIN   MAX				
3.0	3.0	5.1	0.0380	0.0650	1.0	0.0975	2.3

Recognition:

UL, CSA, TUV recognized.

Reference Documents:

PS300

Precedence:

This specification takes precedence over documents referenced herein.

Effectivity:

Reference documents shall be the issue in effect on the date of invitation for bid.

CAUTION:

Operation beyond the rated voltage or current may result in rupture, electrical arcing or flame.

### Materials Information

**ROHS Compliant**
**ELV Compliant**
**Pb-Free**

 Directive 2002/95/EC  
 Compliant

 Directive 2000/53/EC  
 Compliant
