

KEY-OPER. SWITCH CES, WITH KEY MONITORING, 22MM, ROUND, PLASTIC, LOCK NO SSG10, WITH 2 KEYS, 2 SWITCH POSITIONS O-I, LATCHING, ACTUATING ANGLE 50 DEG, 12/14 O'CLOCK REMOVAL POS. O, WITH HOLDER !!! Phased-out product !!! SIRIUS ACT 3SU1 is successor Preferred successor type is >>3SU1000-5JF01-0AA0 + 3SU1500-0AA10-0AA0<<



Figure similar

Design of the product	Single device round
<b>Enclosure</b>	
Number of command points	1
<b>Actuator</b>	
Design of the operating mechanism	Key-operated switch with key monitoring
Manner of function of the actuating element	latching
Product extension optional Light source	No
Color	
• of the actuating element	Silver
Material of the actuating element	metal
Outer diameter of the actuating element	28.5 mm
Type of unlocking device	key unlatching
Number of switching positions	2
Switch position for key distraction	O
Actuating angle	
• clockwise	50°
Lock make	CES

Front ring	
Product component front ring	Yes
Design of the front ring	Standard
Material of the front ring	plastic
Color of the front ring	black

Holder	
Material of the holder	Plastic

General technical data	
<b>Product function</b>	
• EMERGENCY OFF function	No
• EMERGENCY STOP function	No
<b>Protection class IP</b>	IP54
<b>Vibration resistance</b>	
• acc. to IEC 60068-2-6	20 ... 200 Hz: 5g
<b>Operating frequency maximum</b>	1 000 1/h
<b>Mechanical service life (switching cycles)</b>	
• typical	100 000
<b>Reference code acc. to DIN 40719 extended according to IEC 204-2 acc. to IEC 750</b>	S
<b>Reference code acc. to DIN EN 81346-2</b>	S
<b>Reference code acc. to DIN EN 61346-2</b>	S

Connections/ Terminals	
<b>Tightening torque of the screws in the bracket</b>	1 ... 1.2 N·m

Safety related data	
<b>B10 value</b>	
• with high demand rate acc. to SN 31920	20 000
<b>Proportion of dangerous failures</b>	
• with low demand rate acc. to SN 31920	20 %
• with high demand rate acc. to SN 31920	20 %
<b>Failure rate [FIT]</b>	
• with low demand rate acc. to SN 31920	100 FIT
<b>T1 value for proof test interval or service life acc. to IEC 61508</b>	20 y

Ambient conditions	
<b>Ambient temperature</b>	
• during operation	-25 ... +70 °C
• during storage	-40 ... +80 °C
Environmental category during operation acc. to IEC 60721	3K6

Installation/ mounting/ dimensions	
<b>Mounting type</b>	front mounting

Shape of the installation opening	round
Mounting diameter	22 mm
Mounting height	64 mm
Installation width	28.5 mm
Installation depth	29 mm

#### Certificates/ approvals

General Product Approval	Declaration of Conformity	Marine / Shipping
--------------------------	---------------------------	-------------------



CSA



UL



EG-Konf.

[Miscellaneous](#)



ABS

Marine / Shipping	other
-------------------	-------



LRS



PRS



RINA

[Environmental Con-  
firmations](#)

[Miscellaneous](#)

[Confirmation](#)

#### Railway

[Special Test Certificate](#)

#### Further information

**Information- and Downloadcenter (Catalogs, Brochures,...)**

[www.siemens.com/sirius/catalogs](http://www.siemens.com/sirius/catalogs)

**Industry Mall (Online ordering system)**

<https://mall.industry.siemens.com/mall/en/en/Catalog/product?mlfb=3SB3000-4LD05>

**Cax online generator**

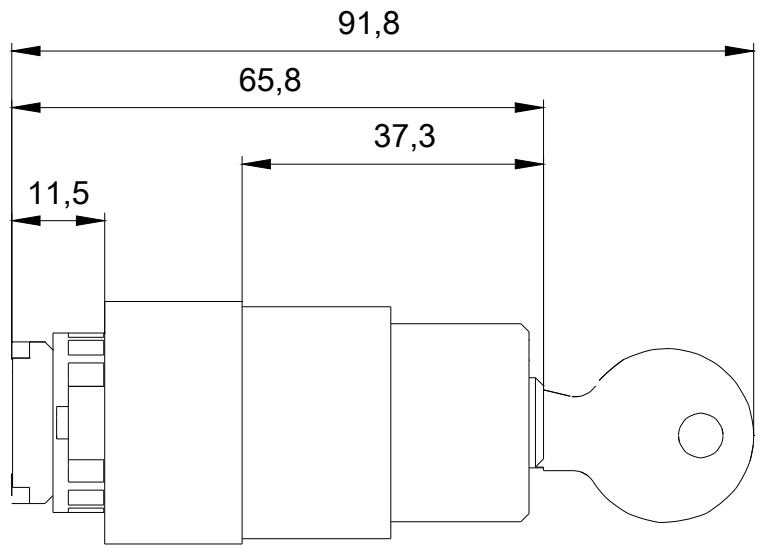
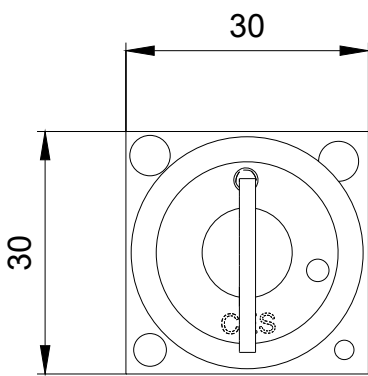
<http://support.automation.siemens.com/WW/CAXorder/default.aspx?lang=en&mlfb=3SB3000-4LD05>

**Service&Support (Manuals, Certificates, Characteristics, FAQs,...)**

<https://support.industry.siemens.com/cs/ww/en/ps/3SB3000-4LD05>

**Image database (product images, 2D dimension drawings, 3D models, device circuit diagrams, EPLAN macros, ...)**

[http://www.automation.siemens.com/bilddb/cax\\_de.aspx?mlfb=3SB3000-4LD05&lang=en](http://www.automation.siemens.com/bilddb/cax_de.aspx?mlfb=3SB3000-4LD05&lang=en)



last modified:

10/03/2019