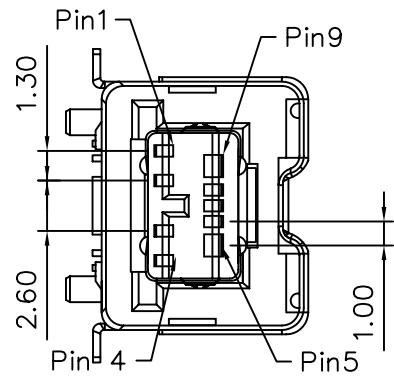
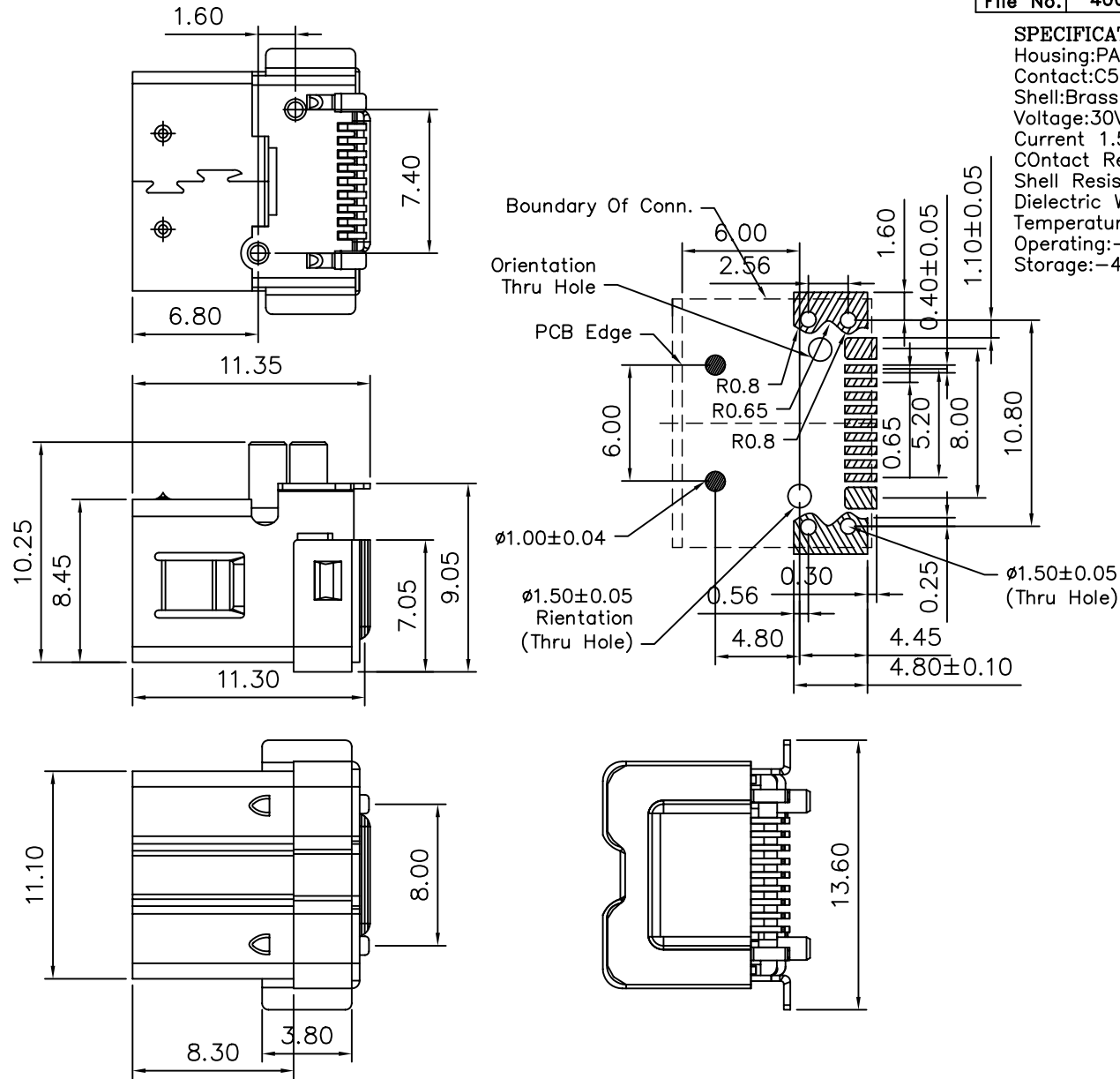


**SPECIFICATIONS**  
 Housing: PA 6T 15%G.F ,UL 94V-0  
 Contact: C5210R-H  
 Shell: Brass  
 Voltage: 30V  
 Current: 1.5A  
 Contact Resistance: 50 Milliohms Max.  
 Shell Resistance: 100 Megohms Min.  
 Dielectric Withstand: 100V DC  
 Temperature Range:  
 Operating: -40°C ~ +85°C  
 Storage: -40°C ~ +105°C



**AUK** A NUMBER OF AUK GROUP  
**太聯事業股份有限公司**  
 AUK CONTRACTORS CO., LTD.

DRAWING No.  
 FW09ESW

APPROVED BY MEI  
 CHECKED BY BECKY  
 DRAWING BY HZF

UNLESS OTHERWISE SPECIFIED TOLERANCES ARE  
 .X ±0.15  
 .XX ±0.10  
 .XXX ±0.05

SCALE NONE

REV. AO

UNIT mm

NO.	REV.	DESCRIPTION	CHK	DATE
AO		NEW RELEASE	MEI	
		REVISIONS	CHK	DATE