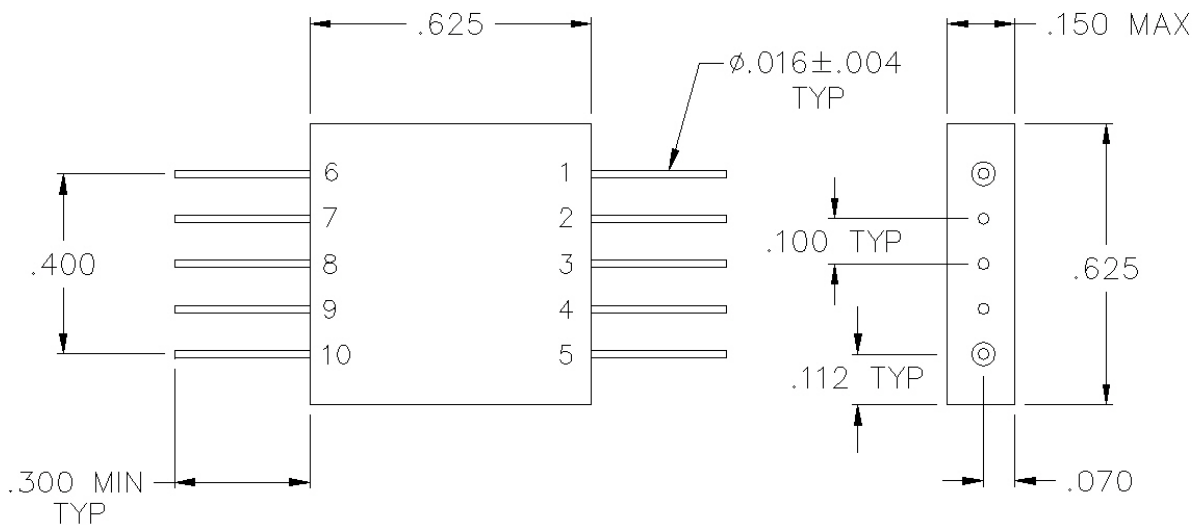
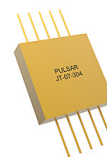


JT-07-304

3 PORT 3 DB FLATPACK 180° HYBRID COUPLER



SPECIFICATIONS

| | |
|--------------------|--------------|
| Name: | JT-07-304 |
| Frequency Range: | 40-850 MHz |
| Insertion Loss: | 1.5 dB max. |
| Isolation A-B: | 20 dB min. |
| Input Power: | 1 watts max. |
| Amplitude Balance: | 0.5 dB max. |
| Phase Balance: | 4° max. |
| VSWR: | 1.50:1 max. |
| Package Type: | Pin |

PORT CONFIGURATION

| | |
|-----------|----------|
| Delta: | 5 |
| A (0°): | 10 |
| B (180°): | 6 |
| Ground: | 1-4, 7-9 |

Amplitude balance is defined by input Sum or Delta to output A & B.

This is a commercial off the shelf (COTS) product.

For an equivalent product that meets DFARS materials compliance, contact sales.

All specifications are subject to change without notice at any time. Rev: 190916