



## 8-Bit Integrated Clock-LUT-DAC

### General Description

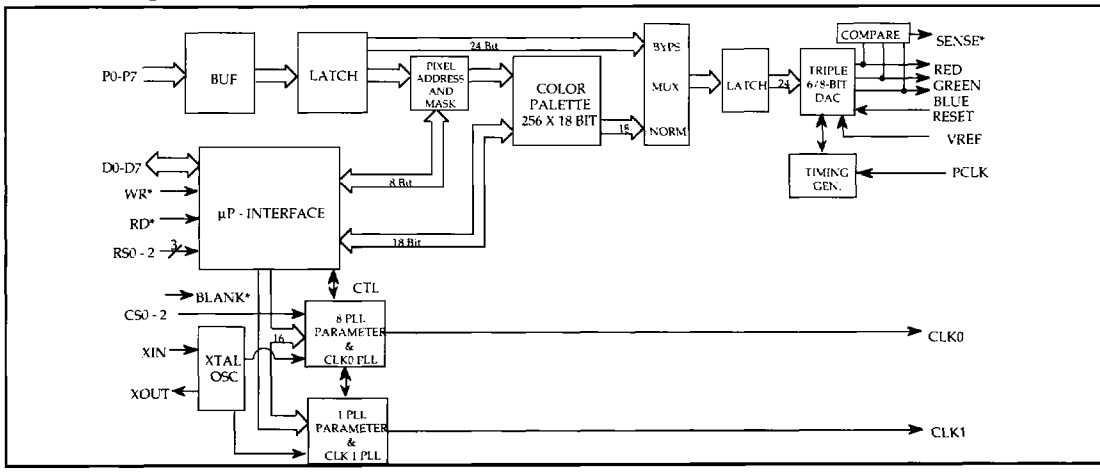
The ICS5301 GENDAC is a combination of dual programmable clock generators, a 256 x 18-bit RAM, and a triple 8-bit video DAC. The GENDAC supports 8-bit pseudo color applications, as well as 15-bit, 16-bit and 24-bit True Color bypass for high speed, direct access to the DACs.

The RAM makes it possible to display 256 colors selected from a possible 262, 144 colors. The dual clock generators use Phase Locked Loop (PLL) technology to provide programmable frequencies for use in the graphics subsystem. The video clock contains 8 frequencies, 6 of which are programmable by the user. The memory clock has one programmable frequency location.

The three 8-bit DACs on the ICS5301 are capable of driving singly or doubly-terminated 75Ω loads to nominal 0-0.7 volts at pixel rates up to 135 MHz. Differential and integral linearity errors are less than 1 LSB over full temperature and  $V_{DD}$  ranges. Monotonicity is guaranteed by design. On-chip pixel mask register allows displayed colors to be changed in a single write cycle rather than by modifying the color palette.

ICS is the world leader in all aspects of frequency (clock) generation for graphics, using patented techniques to produce low jitter video timing.

### Block Diagram



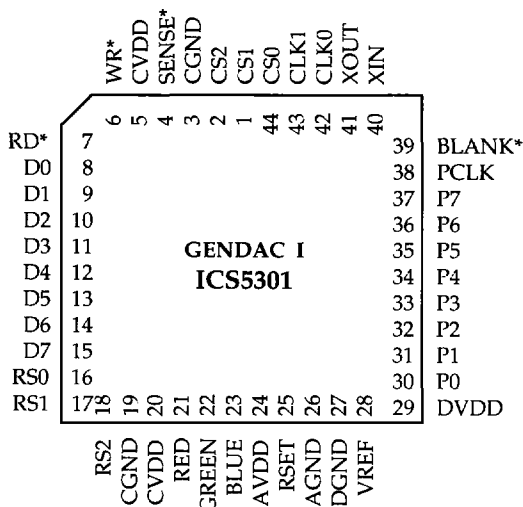
### Features

- Designed for compatibility with Tseng Labs VGA controllers
- Triple video DAC, dual clock generator, and a color palette
- 24, 16, 15, or 8-bit pseudo color pixel mode supports True Color, Hi-Color, and VGA modes
- High speed 256 x 18 color palette (135 MHz) with bypass mode and 8-bit DACs
- Two fixed, six programmable video (pixel) clock frequencies (CLK0)
- One programmable memory (controller) clock frequency (CLK1)
- DAC power down in blanking mode
- Low power operation
- Anti-sparkle circuitry
- On-chip loop filters reduce external components
- Standard CPU interface
- Single external crystal (typically 14.318 MHz)
- Monitor Sense
- Internal voltage reference
- 135 MHz (-3), 110 MHz (-2) & 80 MHz (-1) versions
- Very low clock jitter





**Pin Configuration**



**Pin Description (68 pin PLCC) K-10**

Symbol	Pin #	Type	Description
CS1	1	Input	Clock select 1. The status of CS0-2 determine which frequency is selected on the CLK0 (video) output.
CS2	2	Input	Clock select 2. The status of CS0-2 determine which frequency is selected on the CLK0 (video) output.
CGND	3	-	Ground for clock circuits. Connect to ground.
SENSE*	4	Output	Monitor Sense, active low. This pin is low when any of the red, green, or blue outputs have exceeded 335mV. The chip has on-board comparators and an internal 335mV voltage reference. This is used to detect monitor type.
CVDD	5	-	Clock Power Supply. Connect to DVDD
WR*	6	Input	RAM/PLL Write Enable, active low. This signal controls the timing of the write operation on the microprocessor interface inputs, D0-D7.
RD*	7	Input	RAM/PLL Read Enable, active low. This is the READ bus control signal. When active, any information present on the internal data bus is available on the Data I/O lines, D0-D7.
D0 - D7	8 - 15	I/O	System data bus I/O. These bidirectional Data I/O lines are used by the host microprocessor to write (using active low WR*) information into, and read (using active low RD*) information from the six internal registers (Pixel Address, Color Value, Pixel Mask, PLL Address, PLL Parameter, and Command). During the write cycle, the rising edge of WR* latches the data into the selected register (set by the status of the three RS pins). The rising edge of RD* determines the end of the read cycle. When RD* is a logical high, the Data I/O lines no longer contain information from the selected register and will go into a tri-state mode.



Pin Description (continued)

Symbol	Pin #	Type	Description
RS0	16	Input	Register Address Select 0. These inputs control the selection of one of the six internal registers. They are sampled on the falling edge of the active enable signal (RD* or WR*).
RS1	17	Input	
RS2	18	Input	
CGND	19	-	Ground for clock circuits. Connect to ground.
CVDD	20	-	Clock Power Supply. Connect to AVDD.
RED	21	Output	Color Signals. These three signals are the DACs' analog outputs. Each DAC is composed of several current sources. The outputs of each of the sources are added together according to the applied binary value. These outputs are typically used to drive a CRT monitor.
GREEN	22	Output	
BLUE	23	Output	
AVDD	24	-	Analog power supply. Connect to AVDD.
RSET	25	Input	Resistor Set. This pin is used to set the current level in the analog outputs. It is usually connected through a 140Ω, 1% resistor to ground.
AGND	26	-	Analog Ground. Connect to ground.
DGND	27	-	Digital Ground. Connect to ground.
VREF	28	Input	Internal Reference Voltage. Normally connects to a 0.1μF cap to ground. To use an external Vref, connect a 1.235V reference to this pin.
DVDD	29	-	Digital power supply.
P0 - P7	30 - 37	Input	Pixel Address Lines. This byte-wide information is latched by the rising edge of PCLK when using the Color Palette, and is masked by the Pixel Mask register. These values are used to specify the RAM word address in the default mode (accessing RAM). In the Hi-Color XGA, and True Color modes, they represent color data for the DACs. These inputs should be grounded if they are not used.
PCLK	38	Input	Pixel Clock. The rising edge of PCLK controls the latching of the Pixel Address and BLANK* inputs. This clock also controls the progress of these values through the three-stage pipeline of the Color Palette RAM, DAC, and outputs.
BLANK*	39	Input	Composite BLANK* Signal, active low. When BLANK* is asserted, the outputs of the DACs are zero and the screen becomes black. The DACs are automatically powered down to save current during blanking. The color palette may still be updated through D0-D7 during blanking.
XIN	40	Input	Crystal input. A 14.318 MHz crystal should be connected to this pin.
XOUT	41	Output	Crystal output. A 14.318 MHz crystal should be connected to this pin.
CLK0	42	Output	Video clock output. Provides a CMOS level pixel or dot clock frequency to the graphics controller. The output frequency is determined by the values of the PLL registers.
CLK1	43	Output	Memory clock output. Used to time the video memory.
CS0	44	Input	Clock select 0. The status of CS0-2 determine which frequency is selected on the CLK0 (video) output.





## Internal Registers

RS2	RS1	RS0	Register Name	Description (all registers can be written to and read from)
				<p>There is a single Pixel Address register within the GENDAC. This register can be accessed through either register address 0,0,0 or register address 0,1,1. A read from address 0,0,0 is identical to a read from address 0,1,1.</p> <p>Writing a value to address 0,0,0 performs the following operations: a) Specifies an address within the color palette RAM. b) Initializes the Color Value register.</p> <p>Writing a value to address 0,1,1 performs the following operations: a) Specifies an address within the color palette RAM. b) Loads the Color Value register with the contents of the location in the addressed RAM palette and then increments the Pixel Address register.</p>
0	0	0	Pixel Address WRITE	Writing to this 8-bit register is performed prior to writing one or more color values to the color palette RAM.
0	1	1	Pixel Address READ	Writing to this 8-bit register is performed prior to reading one or more color values from the color palette RAM.
0	0	1	Color Value	<p>The 18-bit Color Value register acts as a buffer between the microprocessor interface and the color palette. Using a three bytes transfer sequence allows a value to be read from or written to this register. When a byte is read, the color value is contained in the least significant 6 bits, D0-D5 (the most significant 2 bits are set to zero). When writing a byte, the same 6 bits are used. When reading or writing, data is transferred in the same order - the red byte first, then green, then blue. Each transfer between the Color Value register and the color palette replaces the normal pixel mapping operations of the GENDAC for a single pixel.</p> <p>After writing three definitions to this register, its contents are written to the location in the color palette RAM specified by the Pixel Address register, and the Pixel Address register increments.</p> <p>After reading three definitions from this register, the contents of the location in the color palette RAM specified by the Pixel Address registers are copied into the Color Value register, and the Pixel Address register increments.</p>
0	1	0	Pixel Mask	The 8-bit Pixel Mask register can be used to mask selected bits of the Pixel Address value applied to the Pixel Address inputs (P0-P7). A one in a position in the mask register leaves the corresponding bit in the Pixel Address unaltered, while a zero sets that bit to zero. The Pixel Mask register does not affect the Pixel Address generated by the microprocessor interface when the palette RAM is being accessed.



**Internal Registers (continued)**

RS2	RS1	RS0	Register Name	Description (all registers can be written to and read from)
1	0	0	PLL Address WRITE	Writing to this 8-bit register is performed prior to writing one or more PLL programming values to the PLL Parameter register.
1	1	1	PLL Address READ	Writing to this 8-bit register is performed prior to reading one or more PLL programming values from the PLL Parameter register.
1	1	0	Command	This 8-bit register selects the color mode, for instance 8-bit Pseudo Color, Hi-Color, True Color, or XGA, and DAC power down. The registers are reset to pseudo color mode on power up.
1	0	1	PLL Parameter	There are sixteen parameter registers as indexed by PLL Address Write/Read registers. Parameter registers 00-0D and 0F are two bytes long and 0E is one byte long. This register set contains one control register. The bits of this register include clock select and enable functions, the rest contain PLL frequency parameters. After writing the start index address in the PLL address register, these registers can be accessed in successive two (or one) bytes. The address register auto increments after one or two bytes to access the entire register set.





## Absolute Maximum Ratings

Power Supply Voltage .....	7 V	DC Digital Output Current .....	25 mA
Voltage on any other pin .....	GND– 0.5V to $V_{DD} + 0.5V$	Analog Output Current .....	45 mA
Temperature under bias .....	– 40° C to 85° C	Reference Current .....	–15 mA
Storage Temperature .....	– 65° C to 150° C	Power Dissipation .....	1.0 W

Note: Stresses above those listed under Absolute Maximum Ratings may cause permanent damage to the device. This is a stress rating only and functional operation of the device at these or any other conditions above those indicated in the operational sections of this specification is not implied. Exposure to absolute maximum rating conditions for extended periods may affect device reliability.

## Electrical Characteristics

Symbol	Parameter	Conditions	Min	Max	Units
<b>DC CHARACTERISTICS (note: J)</b>					
$V_{DD}$	Positive supply voltage		4.75	5.25	V
$V_{IH}$	Input logic "1" voltage		2.0	$V_{DD} + 0.5$	V
$V_{IL}$	Input logic "0" voltage		– 0.5	0.8	V
$I_{REF}$	Reference current		–7.0	–10	mA
$V_{REF}$	Reference voltage		1.10	1.35	V
$I_{IN}$	Digital input current	$V_{DD} = \text{max},$ $GND \leq V_{IN} \leq V_{DD}$		$\pm 10$	$\mu\text{A}$
$I_{OZ}$	Off-state digital output current	$V_{DD} = \text{max},$ $GND \leq V_{IN} \leq V_{DD}$		$\pm 50$	$\mu\text{A}$
$I_{DD}$	Average power supply current	$I_O = \text{max},$ Digital outputs unloaded		250	mA
$I_{DACOFF}$	DACs in power down mode	No palette access		50	mA
$V_{OH}$	Output logic "1"	$I_O = -3.2\text{mA},$ note K	2.4		V
$V_{OL}$	Output logic "0"	$I_O = -3.2\text{mA},$ note K		0.4	V
$ICLK_r$	Input Clock Rise Time	TTL levels		15	ns
$ICLK_f$	Input Clock Fall Time	TTL levels		15	ns
$F_D$	Frequency Change of CLK0 and CLK1 over supply and temperature	With respect to typical frequency		0.05	%



**Electrical Characteristics (continued)**

Symbol	Parameter	Conditions	Min	Max	Units
<b>DAC CHARACTERISTICS (note: J)</b>					
$V_O$ (max)	Maximum output voltage	$I_O \leq 10$ mA		1.5	V
$I_O$ (max)	Maximum output current	$V_O \leq 1$ V		21	mA
	Full scale error	note A, B		$\pm 5$	%
	DAC to DAC correlation	note B		$\pm 2$	%
	Integral Linearity, 6-bit	note B		$\pm 0.5$	LSB
	Integral Linearity, 8-bit	note B		$\pm 1$	LSB
	Full scale settling time*, 6-bit	note C		28	ns
	Full scale settling time*, 8-bit	note C		20	ns
	Rise time (10% to 90%)*	note C		6	ns
	Glitch energy*	note C		200	pVsec

\* Characterized values only

Symbol	Parameter	Conditions	Min	Max	Units
<b>PLL AC CHARACTERISTICS</b>					
$f_0$	Clock 0 operating range		25	135	MHz
$f_1$	Clock 1 operating range		25	135	MHz
$t_r$	Output clocks rise time	25 pf load, TTL levels		1.5	ns
$t_f$	Output clocks fall time	25 pf load, TTL levels		1.5	ns
$d_t$	Duty Cycle		40/60	60/40	%
$j_{1s}$	Jitter, one sigma			130 ps	ps
$j_{abs}$	Jitter, absolute		-300 ps	300 ps	ps
$f_{ref}$	Input reference frequency	Typically 14.318 MHz	5	25	MHz





AC Electrical Characteristics (note: J)

Symbol	Parameter	Condition	80 MHz		110 MHz		135 MHz		Units
			Min	Max	Min	Max	Min	Max	
$t_{CHCH}$	PCLK period		12.5		9.09		7.4		ns
$\Delta t_{CHCH}$	PCLK jitter	note D		$\pm 2.5$		$+2.5$			%
$t_{CLCH}$	PCLK width low		5		3.6		3		ns
$t_{CHCL}$	PCLK width high		5		3.6		3		ns
$t_{PVCH}$	Pixel word setup time	note E	3		3		2		ns
$t_{CHPX}$	Pixel word hold time	note E	3		2		1		ns
$t_{BVCH}$	BLANK* setup time	note E	3		3		2		ns
$t_{CHBX}$	BLANK* hold time	note E	3		2		1		ns
$t_{CHAV}$	PCLK to valid DAC output	note F		20		20		20	ns
$\Delta t_{CHAV}$	Differential output delay	note G		2		2		2	ns
$t_{WLWH}$	WR* pulse width low		50		50		50		ns
$t_{RLRH}$	RD* pulse width low		50		50		50		ns
$t_{SVWL}$	Register select setup time	Write cycle	10		10		10		ns
$t_{SVRL}$	Register select setup time	Read cycle	10		10		10		ns
$t_{WLSX}$	Register select hold time	Write cycle	10		10		10		ns
$t_{RLSX}$	Register select hold time	Read cycle	10		10		10		ns
$t_{DVWH}$	WR* data setup time		10		10		10		ns
$t_{WHDX}$	WR* data hold time		10		10		10		ns
$t_{RLQX}$	Output turn-on delay		5		5		5		ns
$t_{RLQV}$	RD* enable access time			40		40		40	ns
$t_{RHQX}$	Output hold time		5		5		5		ns
$t_{RHQZ}$	Output turn-off delay	note H		20		20		20	ns
$t_{WHWL1}$	Successive write interval	note I	$4(t_{CHCH})$		$4(t_{CHCH})$		$4(t_{CHCH})$		cycle
$t_{WHRL1}$	WR* followed by read interval	note I	$4(t_{CHCH})$		$4(t_{CHCH})$		$4(t_{CHCH})$		cycle
$t_{RHRL1}$	Successive read interval	note I	$4(t_{CHCH})$		$4(t_{CHCH})$		$4(t_{CHCH})$		cycle
$t_{RHWL1}$	RD* followed by write interval	note I	$4(t_{CHCH})$		$4(t_{CHCH})$		$4(t_{CHCH})$		cycle
$t_{WHWL2}$	WR* after color write	note I	$4(t_{CHCH})$		$4(t_{CHCH})$		$4(t_{CHCH})$		cycle
$t_{WHRL2}$	RD* after color write	note I	$4(t_{CHCH})$		$4(t_{CHCH})$		$4(t_{CHCH})$		cycle
$t_{RHRL2}$	RD* after color read	note I	$8(t_{CHCH})$		$8(t_{CHCH})$		$8(t_{CHCH})$		cycle
$t_{RHWL2}$	WR* after color read	note I	$8(t_{CHCH})$		$8(t_{CHCH})$		$8(t_{CHCH})$		cycle
$t_{WHRL3}$	RD* after read address write	note I	$8(t_{CHCH})$		$8(t_{CHCH})$		$8(t_{CHCH})$		cycle
$t_{SOD}$	SENSE* output delay			1		1	1		$\mu s$





**NOTES:**

- A. Full scale error is derived from design equation  

$$\left[ \left( \frac{F.S. I_{OUT}}{I_{REF}} \right) R_L - 2.1 \left( \frac{I_{REF}}{I_{REF}} \right) R_L / \left[ 2.1 \left( \frac{I_{REF}}{I_{REF}} \right) R_L \right] \right] 100\%$$

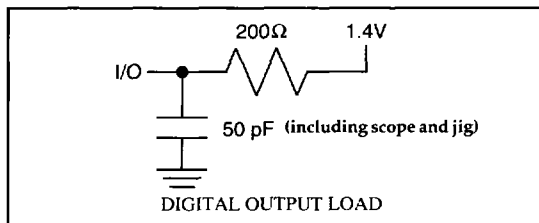
$$V_{BLACK LEVEL=0V} \quad F.S. I_{OUT} = \text{Actual full scale measured output}$$
- B.  $R = 37.5\Omega, I_{REF} = -8.88\text{mA}$
- C.  $Z = 37.5\Omega + 30 \text{ pF}, I_{REF} = -8.88\text{mA}$
- D. This parameter is the allowed Pixel Clock frequency variation. It does not permit the Pixel Clock period to vary outside the minimum values for Pixel Clock ( $t_{CHCH}$ ) period.
- E. It is required that the color palette's pixel address be a valid logic level with the appropriate setup and hold times at each rising edge of  $P_{CLK}$  (this requirement includes the blanking period).
- F. The output delay is measured from the 50% point of the rising edge of CLOCK to the valid analog output. A valid analog output is defined when the analog signal is halfway between its successive values.
- G. This applies to different analog outputs on the same device.
- H. Measured at  $\pm 200 \text{ mV}$  from steady state output voltage.
- I. This parameter allows synchronization between operations on the microprocessor interface and the pixel stream being processed by the color palette.
- J. The following specifications apply for  $V_{DD} = +5V \pm 0.5V, GND = 0$ . Operating Temperature =  $0^\circ\text{C}$  to  $70^\circ\text{C}$ .
- K. Except for SENSE pin.

**AC Test Conditions**

Input pulse levels.....	$V_{DD}$ to 3V
Input rise and fall times (10% to 90%).....	3ns
Digital input timing reference level.....	1.5V
Digital output timing reference level.....	0.8V and 2.4V

**Capacitance**

$C_1$ Digital input.....	7pF
$C_0$ Digital output.....	7pF
$C_{0A}$ Analog output.....	10pF



**General Operation**

The ICS5301 GENDAC is intended for use as the analog output stage of raster scan video systems. It contains a high-speed Random Access Memory of 256 x 18-bit words, three 6/8-bit high-speed DACs, a microprocessor / graphic controller interface, a pixel word mask, on-chip comparators, and two user programmable frequency generators.

An externally generated BLANK\* signal can be applied to pin 39 of the ICS5301. This signal acts on all three of the analog outputs. The BLANK\* signal is delayed internally so that it appears with the correct relationship to the pixel bit stream at the analog outputs.

A pixel word mask is included to allow the incoming pixel address to be masked. This permits rapid changes to the effective contents of the color palette RAM to facilitate such operations as animation and flashing objects. Operations on the contents of the mask register can also be totally asynchronous to the pixel stream.

The ICS5301 also includes dual PLL frequency generators providing a video clock (CLK0) and a memory clock (CLK1), both generated from a single 14.318 MHz crystal. There are eight selectable CLK0 frequencies of which six are programmable, and a single programmable CLK1 frequency. Default values (Table 1 and Table 2) are loaded into the appropriate registers on power up.



**Video Path**

The GENDAC supports four different video modes and is determined by bits 5-7 of the command register. The default mode is the 6-bit Pseudo Color mode. The other modes are the bypass 15-bit, 16-bit and 24 bit True Color.

**Pseudo color**

In this mode, Pixel Address and BLANK\* inputs are sampled on the rising edge of the clock (PCLK) and any change appears at the analog outputs after three succeeding rising edges of the clock. The DAC outputs depends on the data in the color palette RAM.



## Bypass Modes

The GENDAC supports three different bypass modes; 15-bit (5,5,5) mode, 16-bit (5,6,5) mode and the 24-bit True Color 8-bit DAC mode. In these modes, the pixel address pins P0-P7 represent the Color Data that is applied directly to the DAC. The internal RAM is bypassed. In the 15/16-bit mode two consecutive bytes contain the 15/16 bits of color data. Two consecutive rising edges of the PCLK latch the data on the P0-P7 pins into registers and the byte framing is internally synchronized with the rising edge of BLANK\*. The internal pipe line delay from the "first byte" to the DAC is four PCLK rising edges. In the 24-bit True Color mode, three bytes contains the 24-bit color data. Three consecutive rising edges of the PCLK latch the data. The framing is the same as the 15/16-bit mode. The internal pipe line delay from the "first byte" to the DAC is five PCLK rising edges.

## DAC Outputs

The outputs of the DACs are designed to be capable of producing 0.7 volt peak white amplitude with an  $I_{REF}$  of 8.88 mA when driving a doubly terminated 75Ω load. This corresponds to an effective DAC output load ( $R_{EFFECTIVE}$ ) of 37.5Ω.

The formula for calculating  $I_{REF}$  with various peak white voltage/output loading combinations is given below:

$$I_{REF} = \frac{V_{PEAK\ WHITE}}{2.1 \times R_{EFFECTIVE}}$$

Note that for all values of  $I_{REF}$  and output loading:  
 $V_{BLACK\ LEVEL} = 0$

The reference current  $I_{REF}$  is determined by the reference voltage  $V_{REF}$  and the value of the resistor connected to  $R_{SET}$  pin.  $V_{REF}$  can be the internal band gap reference voltage or can be overridden by an external voltage. In both cases  $I_{REF} = V_{REF} / R_{SET}$ .

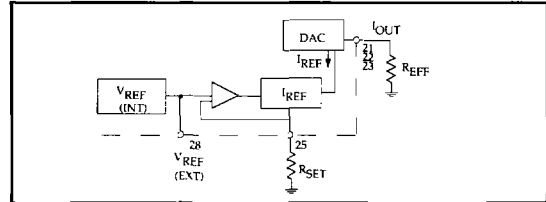


Figure 4 - DAC Set up

The BLANK\* input to the GENDAC acts on all three of the DAC outputs. When the BLANK\* input is low, the DACs are powered down.

The connection between the DAC outputs of the ICS5301 and the RGB inputs of the monitor should be regarded as a transmission line. Impedance changes along the transmission line will result in the reflection of part of the video signal back along the transmission line. These reflections may result in a degradation of the picture displayed by the monitor.

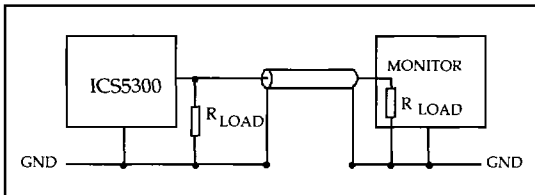
RF techniques should be observed to ensure good fidelity. The PCB trace connecting the GENDAC to the off-board connector should be sized to form a transmission line of the correct impedance. Correctly matched RF connectors should be used for connection from the PCB to the coaxial cable leading to the monitor and from the cable to the monitor.

There are two recommended methods of DAC termination: double termination and buffered signal. Each is described below with its relative merits:

### Double Termination (Figure 1)

For this termination scheme, a load resistor is placed at both the DAC output and the monitor input. The resistor values should be equal to the characteristic impedance of the line. Double termination of the DAC output allows both ends of the transmission line between the DAC outputs and the monitor inputs to be correctly matched. The result should be an ideal reflection free system. This arrangement is relatively tolerant to variations in transmission line impedance (e.g. a mismatched connector) since no reflections occur from either end of the line.

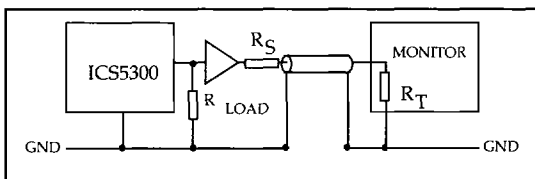
A doubly terminated DAC output will rise faster than any singly terminated output because the rise time of the DAC outputs is dependent on the RC time constant of the load.



**Figure 1 - Double Termination**

### Buffered Signal (Figure 2)

If the GENDAC drives large capacitive loads (for instance long cable runs), it may be necessary to buffer the DAC outputs. The buffer will have a relatively high input impedance. The connection between the DAC outputs and the buffer inputs should also be considered as a transmission line. The buffer output will have a relatively low impedance. It should be matched to the transmission line between it and the monitor with a series terminating resistor. The transmission line should be terminated at the monitor.



**Figure 2 - Buffered Signal**

### SENSE Output

The GENDAC contains three comparators, one each for the DAC output (R, G and B) lines. The reference voltage to the comparators is proportional to the  $V_{REF}$  (internal or external) and is typically 0.33 for  $V_{REF} = 1.23$  Volts. When the voltage on any of these pins go higher than the reference voltage to the comparators, the SENSE\* pin is driven low. This signal is used to detect the type of (or lack of) monitor connected to the system.

### PLL Clock

The ICS5301 has dual PLL frequency generators for generating the video clock (CLK0) and memory clock (CLK1) needed for graphics subsystems. Both these clocks are generated from a single 14.318 MHz crystal or can be driven by an external clock source. The chip includes the capacitors for the crystal and all the components needed for the PLL loop filters, minimizing board component count.

There are eight possible video clock, CLK0, frequencies (f0-f7) which can be selected by the external pins CS0-CS2. Pins are software selectable by setting a bit in the PLL control register. Two of these frequencies (f0-f1) are fixed and the other six (f2-f7) can be programmed for any frequency by writing appropriate parameter values to the PLL parameter registers. The default frequencies on power up are commonly used video frequencies (table 1). At power up, the frequencies can be selected by pins CS0-CS2. There is only a single programmable memory clock frequency (CLK1). On power up this frequency defaults to the frequency given in table 2. The memory clock transition between frequencies is smooth and glitch free if the transition is kept between the limits 45-65 MHz.

fn	(MHz)	VLCK Comments
f0	50.350	VGA0 (VGA Color monitor) (fixed)
f1	56.644	VGA1 (VGA Monochrome monitor) (fixed)
f2	31.500	VESA 640 x 480 @72 Hz (programmable)
f3	36.00	VESA 800 x 600 @56 Hz (programmable)
f4	40.00	VESA 800 x 600 @60 Hz (programmable)
f5	44.889	1024 x 768 @43 Hz Interlaced (programmable)
f6	65.00	1024 x 768 @ 60 Hz, 640 x 480 Hi-Color @ 72 Hz (programmable)
f7	75.00	VESA 1024 x 768 @ 70 Hz, True Color 640 x 480 (programmable)

**Table 1 - Video clock (CLK0) default frequency register (with a 14.318 MHz input)**



MCLK (fA)	Comments
45.00 MHz	Memory and GUI subsystem clock Smooth transition between 45-65 MHz

Table 2 - Memory Clock (CLK1) Default Frequency Register

### Microprocessor Interface

Below are listed the six microprocessor interface registers within the ICS5301, and the register addresses through which they can be accessed.

RS2	RS1	RS0	Register Name
0	0	0	Pixel Address (write mode)
0	1	1	Pixel Address (read mode)
0	0	1	Color Value
0	1	0	Pixel Mask
1	0	0	PLL Address (write mode)
1	0	1	PLL Parameter
1	1	0	Command
1	1	1	PLL Address (read mode)
0/HF	1	0	Command Register accessed by (hidden) flag after special sequence of events

Table 3 - Microprocessor Interface Registers

#### Asynchronous Access to Microprocessor Interface

Accesses to all registers may occur without reference to the high speed timing of the pixel bit stream being processed by the GENDAC. Data transfers between the color palette RAM and the Color Value register, as well as modifications to the Pixel Mask register, are synchronized to the Pixel Clock by internal logic. This is done in the period between microprocessor interface accesses. Thus, various minimum periods are specified between microprocessor interface accesses to allow the appropriate transfers or modifications to take place. Access to PLL address, PLL parameter and to the command register are asynchronous to the pixel clock.

The contents of the palette RAM can be accessed via the Color Value register and the Pixel Address registers.

#### Writing to the color palette RAM

To set a new color definition, a value specifying a location in the color palette RAM is first written to the Write mode Pixel Address register. The values for the red, green and blue intensities are then written in succession to the Color Value register. After the blue data is written to the Color Value register, the new color definition is transferred to the RAM, and the Pixel Address register is automatically incremented.

Writing new color definitions to a set of consecutive locations in the RAM is made easy by this auto-incrementing feature. First, the start address of the set of locations is written to the write mode Pixel Address register, followed by the color definition of that location. Since the address is incremented after each color definition is written, the color definition for the next location can be written immediately. Thus, the color definitions for consecutive locations can be written sequentially to the Color Value register without re-writing to the Pixel Address register each time.

#### Reading from the RAM

To read a color definition, a value specifying the location in the palette RAM to be read is written to the read mode Pixel Address register. After this value has been written, the contents of the location specified are copied to the Color Value register, and the Pixel Address register automatically increments.

The red, green and blue intensity values can be read by a sequence of three reads from the Color Value register. After the blue value has been read, the location in the RAM currently specified by the Pixel Address register is copied to the Color Value register and the Pixel Address again automatically increments. A set of color values in consecutive locations can be read simply by writing the start address of the set to the read mode Pixel Address register and then sequentially reading the color values for each location in the set. Whenever the Pixel Address register is updated, any unfinished color definition read or write is aborted and a new one may begin.

#### The Pixel Mask Register

The pixel address used to access the RAM through the pixel interface is the result of the bitwise ANDing of the



incoming pixel address and of the contents of the Pixel Mask register. This pixel masking process can be used to alter the displayed colors without altering the video memory or the RAM contents. By partitioning the color definitions by one or more bits in the pixel address, such effects as rapid animation, overlays, and flashing objects can be produced.

The Pixel Mask register is independent of the Pixel Address and Color Value registers.

### The Command Register

The Command register is used to select the various GENDAC color modes and to set the power down mode. On power up this register defaults to an 6-bit Pseudo Color mode. This register can be accessed by control pins RS2-RS0, or by a special sequence of events for graphics subsystems that do not have the control signal RS2. For graphic systems that do not have RS2, this pin is tied low and an internal flag (HF; Hidden Flag) is set when the pixel mask register is read four times consecutively. Once the flag is set, the following Read or Write to the pixel mask register is directed to the command register. The flag is reset for Read or Write to any register other than the pixel mask register. The sequence has to be repeated for any subsequent access to the command register.

### The PLL Parameter Register

The CLK0 and CLK1 of the ICS5301 can be programmed for different frequencies by writing different values to the PLL parameter register bank. There are eight registers in the parameter register; seven are two bytes long and one (0E) is one byte long.

### Writing to the PLL parameter register

To write the PLL parameter data, the corresponding address location is first written to the PLL address register. For software compatibility with other chips, two address registers are defined; the Write mode PLL address register and the Read mode PLL address register. They are actually a single Read/Write register in the ICS5301. The next PLL parameter write will be directed to the first byte of the address location specified by the PLL address register. The next Write to the parameter register

will automatically be to the second byte of this register. At the end of the second Write the address is automatically incremented. For the one byte "0E" register the address location is incremented after the first byte Write. If this frequency is selected while programming, the output frequency will change at the end of the second Write.

### Reading the PLL parameter register

To read one of the registers of the PLL parameter register the address value corresponding to the location is first written to the PLL address register. The next PLL parameter read will be directed to the first byte of the address location pointed by this index register. A next Read of the parameter register will automatically be the second byte of this register. At the end of the second Read, the address location is automatically incremented. The address register (0E) is incremented after the first byte Read.

## Power Down Mode

When bit 0 in the Command register is high (set to 1), the GENDAC enters the DAC power down mode. The DACs are turned off, and the data is retained in the RAM. It is possible to access the RAM, in which case the current will temporarily increase. While the RAM is being accessed, the current consumption will be proportional to the speed of the clock. There is no effect on either clock generator while in this mode.



## Power Supply

As a high speed CMOS device, the ICS5301 may draw large transient currents from the power supply, it is necessary to adopt high frequency board layout and power distribution techniques to ensure proper operation of the GENDAC. Please refer to the suggested layout on page 29.

To supply the transient currents required by the ICS5301, the impedance in the decoupling path should be kept to a minimum between the power supply pins  $V_{DD}$  and GND. It is recommended that the decoupling capacitance between  $V_{DD}$  and GND should be a 0.1  $\mu$ F high frequency capacitor, in parallel with a large tantalum capacitor with



a value between  $22\mu\text{F}$  and  $47\mu\text{F}$ . A ferrite bead may be added in series with the positive supply to form a low pass filter and further improve the power supply local to the GENDAC. It will also reduce EMI.

The combination of series impedance in the ground supply to the GENDAC, and transients in the current drawn by the device will appear as differences in the GND voltages to the GENDAC and to the digital devices driving it. To minimize this differential ground noise, the impedance in the ground supply between the GENDAC and the digital devices driving it should be minimized.

## **Digital Output Information**

The PCB trace lines between the outputs of the TTL devices driving the GENDAC and the input to the GENDAC behave like low impedance transmission lines driven from a low impedance transmission source and terminated with a high impedance. In accordance with transmission line principles, signal transitions will be reflected from the high impedance input to the device. Similarly, signal transitions will be inverted and reflected from the low impedance TTL output. Line termination is recommended to reduce or eliminate the ringing, particularly the undershoot caused by reflections. The termination may either be series or parallel.

Series termination is the recommended technique to use. It has the advantages of drawing no DC current and of using fewer components. Series termination is accomplished by placing a resistor in series with the signal at the output of the TTL driver. This matches the TTL output impedance to that of the transmission line and ensures that any signal incident on the TTL output is not reflected.

To minimize reflections, some experimentation will have to be done to find the proper value to use for the series termination. Generally, a value around  $100\Omega$  will be required. Since each design will result in a different signal impedance, a resistor of a predetermined value may not properly match the signal path impedance. Therefore, the proper value of resistance should be found empirically.



## Functional Description

This section describes the register address and bit definition for RAMDAC and the Frequency Synthesizer sections.

## Color Palette

### Command Register

(RS0-RS2 = 011)

(RS0-RS1 = 01 with hidden flag)

By setting bits in the command register the ICS5301 can be programmed for different color modes and can be powered down for low power operation.

7	6	5	4	3	2	1	0
Color Mode			Reserved				Snooze
2	1	0	Should all =0				

Table 3 - Command Registers

### Bit 7-5 Color Mode Select

These three bits select the Color Mode of RAMDAC operation as shown in the following table 4 (default is 0 at power up):

Bit 4 - 1 (Reserved)

CM2 (CR7)	CM1 (CR6)	CM0 (CR5)	Color Mode	Clock Cycles/ Pixel Bits
0	0	0	6-Bit Pseudo Color with Palette (Default)	1
0	0	1	15-Bit Direct Color with Bypass (Hi-Color)	2
0	1	0	24-Bit True Color with Bypass (True Color)	3
0	1	1	16-Bit Direct Color with Bypass (XGA)	2
1	0	0	15-Bit Direct Color with Bypass (Hi-Color)	2
1	0	1	15-Bit Direct Color with Bypass (Hi-Color)	2
1	1	0	16-Bit Direct Color with Bypass (XGA)	2
1	1	1	24-Bit True Color with Bypass (True Color)	3

Table 4 - Color Mode Select

### Bit 0 Power Down Mode of RAMDAC

When this bit is set to 0 (default is 0), the device operates normally. If this bit is set to 1, the power and clock to the Color Palette RAM and DACs are turned off. The data in the Color Palette RAM are still preserved. The CPU can access without loss of data by internal automatic clock start/stop control. The DAC outputs become the same as BLANK\* (sync) level output during power down mode. This bit does not effect the PLL clock synthesizer function.

## Color Modes

The four selectable color modes are described here.

**Mode 0:** 8-bit Pseudo Color (one clock per pixel). This mode is the 8-bit per pixel Pseudo Color mode. In this mode, inputs P0-P7 are the pixel address for the color palette RAM and are latched on the rising edge of every PCLK. This is the default mode on power up and it is selected by setting bits CR7-CR5 to 000. There are three clock cycles pipe line delays from input to DAC output.

### 8-bit Pseudo Color mode

DATA BYTE							
7	6	5	4	3	2	1	0
PIXEL ACCESS							
7	6	5	4	3	2	1	0





**Mode 1: (15-bit per color bypassHi-Color mode).**

This mode is the 15-bit per pixel bypass mode. In this mode, inputs P0-P7 are the color DATA and are input directly to the DAC, bypassing the color palette. The two bytes of data is latched in two successive PCLK rising edges. ICS5301 supports only the two clock mode and does not support the mode where the data are latched on the rising and the falling edges. For compatibility, the 15/16 one clock modes are selected as two clock modes in this chip. The low-byte, high byte synchronization is internally done by the rising edge of BLANK\*. Each color is 5-bit wide and is packed into two bytes as shown below. The mode is selected by setting bits CR7-CR5 to 001, 100 or 101.

**15-Bit Color Mode**

3LSB = set to zero

SECOND BYTE				FIRST BYTE			
P	P	P	P	P	P	P	P
7	6	5	4	3	2	1	0
X	7	6	5	3	7	6	5
	RED			GREEN			BLUE

**Mode 2: (16-bit per pixel bypass XGA mode).**

This mode is the 16-bit per pixel bypass mode and the P0-P7 inputs to go to the DAC directly, bypassing the color palette. The 2 bytes data is latched on two successive rising edges and the low-byte, high-byte synchronization is internally done by the rising edge of BLANK\*. In this mode, blue and red colors are 6 bits wide and green is 5 bits wide. The 2 bytes of data is packed as shown below. The mode is selected by setting bits CR7-CR5 to 011 or 110.

**16-Bit color mode**

2LSB = set to zero (green)  
3LSB = set to zero (blue, red)

SECOND BYTE				FIRST BYTE			
P	P	P	P	P	P	P	P
7	6	5	4	3	2	1	0
7	6	5	4	3	7	6	5
	RED			GREEN			BLUE

**Mode 3: (24-bit per pixel True Color Mode).**

This mode is the 24-bit per pixel bypass mode. The three bytes of data are latched on three successive PCLK edges and the first byte is synchronized by the rising edge of BLANK\*. In this mode, each of the colors are 8-bit wide and the DAC is an 8-bit wide DAC. The first byte is blue followed by green and red. This mode can be selected by setting bits CR7-CR5 to 010 or 111. The DAC outputs changes every three cycles and the pipeline delay from the first byte to output is five cycles.

**24-bit color mode**

THIRD BYTE	SECOND BYTE	FIRST BYTE
P P P P P P P P	P P P P P P P P	P P P P P P P P
7 6 5 4 3 2 1 0	7 6 5 4 3 2 1 0	7 6 5 4 3 2 1 0
7 6 5 4 3 2 1 0	7 6 5 4 3 2 1 0	7 6 5 4 3 2 1 0
RED	GREEN	BLUE

**Frequency Generators**

The ICS5301 clock synthesizer can be reprogrammed through the microprocessor interface for any set of frequencies. This is done by writing appropriate values to the PLL Parameter Register Bank (table 5).

**PLL Address Registers**

The address of the parameter register is written to the PLL address registers before accessing the parameter register. This register is accessed by register select pins RS2-RS0 = 100 or 111.

7	6	5	4	3	2	1	0
PLL REGISTER ADDRESS							
7	6	5	4	3	2	1	0

**PLL Parameter Register**

There are sixteen registers in the PLL parameter register (table 5). Registers 00 to 07 are for the CLK0 selectable frequency list, Register 0A for CLK1 programmable frequency and register 0E is the PLL CLK0 control register.





Index	R/W	Register
00	R/-	CLK0 f0 PLL Parameters (2 bytes)
01	R/-	CLK0 f1 PLL Parameters (2 bytes)
02	R/W	CLK0 f2 PLL Parameters (2 bytes)
03	R/W	CLK0 f3 PLL Parameters (2 bytes)
04	R/W	CLK0 f4 PLL Parameters (2 bytes)
05	R/W	CLK0 f5 PLL Parameters (2 bytes)
06	R/W	CLK0 f6 PLL Parameters (2 bytes)
07	R/W	CLK0 f7 PLL Parameters (2 bytes)
08	R/-	(Reserved) = 0 (2 bytes)
09	R/-	(Reserved) = 0 (2 bytes)
0A	R/W	CLK1fA PLL (2 bytes)
0B	R/-	(Reserved) = 0 (2 bytes)
0C	R/-	(Reserved) = 0 (2 bytes)
0D	R/-	(Reserved) = 0 (2 bytes)
0E	R/W	PLL Control Register (1-byte)
0F	R/-	(Reserved) = 0 (2-byte)

**Table 5 - PLL Parameter Registers**

### PLL Control Register

Bits in this register determine internal or external CLK0 select.

7	6	5	4	3	2	1	0
(RV)	(RV)	ENBL	(RV)	(RV)	INTERNAL SELECT		
=0	=0	INCS	=0	=0	X	X	X

**Bit 7 - 6** Reserved.

**Bit 5** Enable Internal Clock Select (INCS) for CLK0. When this bit is set to 1, the CLK0 output frequency is selected by bit 2 - 0 in this register. External pins CS0 - CS2 are ignored.

**Bit 4 - 3** (Reserved).

**Bit 2 - 0** Internal Clock Select for CLK0 (INCS). These three bits selects the CLK0 output frequency if bit 5 of this register is on. They are interpreted as an octal number, n, that selects fn. Default selects f0.

### PLL Data Registers

The CLK0 and CLK1 input frequency is determined by the parameter values in this register. These are two bytes registers; the first byte is the M-byte and the second is the N-byte.

#### M-Byte PLL Parameter Input

The M-byte has a 7-bit value (1-127) which is the feedback divider of the PLL.

7	6	5	4	3	2	1	0
Reserved	M-Divider Value						
=0	X	X	X	X	X	X	X

#### N-Byte PLL Parameter Input

The N-byte has two values. N1 sets a 5-bit value (1-31) for the input pre scalar and N2 is a 2-bit code for selecting 1, 2, 4, or 8 post divide clock output.

7	6	5	4	3	2	1	0
Reserved	N2-Code		N1-Divider Value				
=0	X	X	X	X	X	X	X

#### N2 Post Divide Code

N2 code	Divider
00	1
01	2
10	4
11	8

The block diagram of the PLL clock synthesizer is given in following figure 3.

Based on the M and N values, the output frequency of the clocks is given by the following equation:

$$F_{out} = \frac{(M+2) \times F_{ref}}{(N1+2) \times 2^{N2}}$$

M and N values should be programmed such that the frequency of the VC0 is within the optimum range for duty cycle, jitter and glitch free transition. Optimum duty cycle is achieved by programming N2 for values greater than one. See the following page for programming example.





### Programming Example

Suppose an output frequency of 25.175 MHz is desired. The reference crystal is 14.318 MHz. The VCO should be targeted to run in the 100 to 180 MHz range, so choosing a post divide of 4 gives a VCO frequency of :  
 $4 \times 25.175 = 101.021 \text{ MHz}$

From the table on page 17, we find  $N2 = 2$   
Substituting  $F_{ref} = 14.318$  and  $2^{N2} = 4$  into the equation on page 17:

$$\left(\frac{25.175}{14.318}\right) \cdot 4 = \frac{(M+2)}{(N1+2)}$$

by trial and error:

$$\left(\frac{25.175}{14.318}\right) \cdot 4 \approx \frac{127}{18}$$

so  $M + 2 = 127$                        $M = 125$   
 $N1 + 2 = 18$                                $N1 = 16$

so the registers are:

$$M = 125d = 1 \ 1 \ 1 \ 1 \ 1 \ 0 \ 1 \ b$$
$$N = 0 \ \& \ N2 \ \text{code} \ \& \ N1 = 0 \ \& \ 1 \ 0 \ \& \ 1 \ 0 \ 0 \ 0 \ 0$$
$$N = 0 \ 1 \ 0 \ 1 \ 0 \ 0 \ 0 \ 0 \ b$$

### Additional Information on Programming the Frequency Generator section of the GENDAC

When programming the GENDAC PLL parameter registers, there are many possible combinations of parameters which will give the correct output frequency. Some combinations are better than others, however. Here is a method to determine how the registers need to be set:

The key guidelines come from the operation of the phase locked loop, which has the following restrictions:

- $2 \text{ MHz} < f_{REF} < 32 \text{ MHz}$   
This refers to the input reference frequency. Most users simply connect a 14.318 MHz crystal to the crystal inputs, so this is not a problem.
- $600 \text{ kHz} < \frac{f_{REF}}{(N1+2)} \leq 8 \text{ MHz}$   
This is the frequency input to the phase detector.

3.  $60 \text{ MHz} \leq \frac{(M+2)}{(N1+2)} f_{REF} \leq 270 \text{ MHz}$

This is the VCO frequency. In general, the VCO should run as fast as possible, because it has lower jitter at higher frequencies. Also, running the VCO at multiples of the desired frequency allows the use of output divides, which tends to improve the duty cycle.

4.  $f_{CLK0}$  and  $f_{CLK1} \leq 135 \text{ MHz}$   
This is the output frequency.

These rules lead to the following procedure for determining the PLL parameters, assuming rules 1 and 4 are satisfied.

- Determine the value of N2 (either 1, 2, 4 or 8) by selecting the highest value of N2, which satisfies the condition  
 $N2 \cdot f_{CLK} \leq 270 \text{ MHz}$

B. Calculate  $\frac{(M+2)}{(N1+2)} = \frac{2^{N2} f_{out}}{f_{ref}}$

C. Now (M+2) and (N1+2) must be found by trial and error. With a 14.318 MHz reference frequency, there will generally be a small output frequency error due to the resolution limit of (M+2) and (N1+2). For a given frequency tolerance, several different (M+2) and (N1+2) combinations can usually be found. Usually, a few minutes trying out numbers with a calculator will produce a workable combination. Multiplying possible values of (N1+2) by the desired ratio will indicate approximately the value of M. This method is shown in the example below. A program could be written to try all possible combinations of (M+2) and (N1+2) (3937 possible combinations), discard those outside error band, and select from those remaining by giving preference to ratios which use lower values of (M+2). Lower values of (M+2) and (N1+2) provide better noise rejection in the phase locked loop.

Example: Suppose we are using a 14.318 MHz reference crystal and wish to output a frequency of 66 MHz with an error of no greater than 0.5%. What are the values of the PLL data registers?

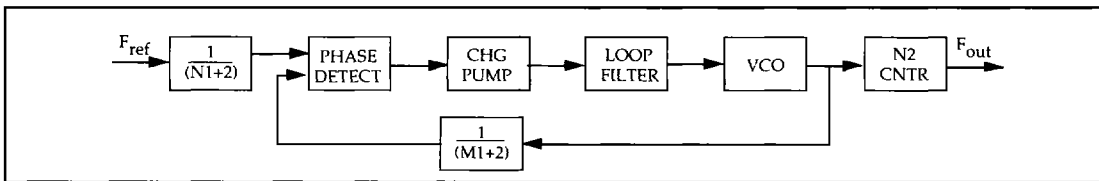


- A.  $66 \times 8 = 528 > 250$  VCO speed too high  
 $66 \times 4 = 264 > 250$  VCO speed too high  
 $66 \times 2 = 132 < 250$  VCO speed OK, N2 = 2, N2 code = 01 from table on page 17 of the data sheet.
- B.  $132 / 14.31818 = 9.219$   
 This is the desired frequency multiplication ratio.
- C. Setting (N1+2) = 3, 4,...12, 13 and performing some simple calculations yields the following table:  
 (Note that N1 cannot be 0)

(N1+2)	(N1+2)*9.219	rounded (=M+2)	Actual Ratio	Percent Error
3	27.657	28	9.33	-1.23
4	36.876	37	9.25	-0.34
5	46.095	46	9.20	0.21
6	55.314	55	9.17	0.57
7	64.533	65	9.29	-0.72
8	73.752	74	9.25	-0.34
9	82.971	83	9.22	-0.03
10	92.19	92	9.20	0.21
11	101.409	101	9.18	0.40
12	110.628	111	9.25	-0.34
13	119.847	120	9.23	-0.13

The ratio 83/9 is closest. Thus (N2+2) = 9; N2=7. (M+2) = 83; M = 81. The M-byte PLL parameter word is simply 81 in binary, plus bit 7 (which must be set to 0), or 01010001. The N-byte PLL parameter word is N2 code (01) concatenated with 5 bits of N2 in binary (00111), or 00100111. Once again, bit 7 must be zero.

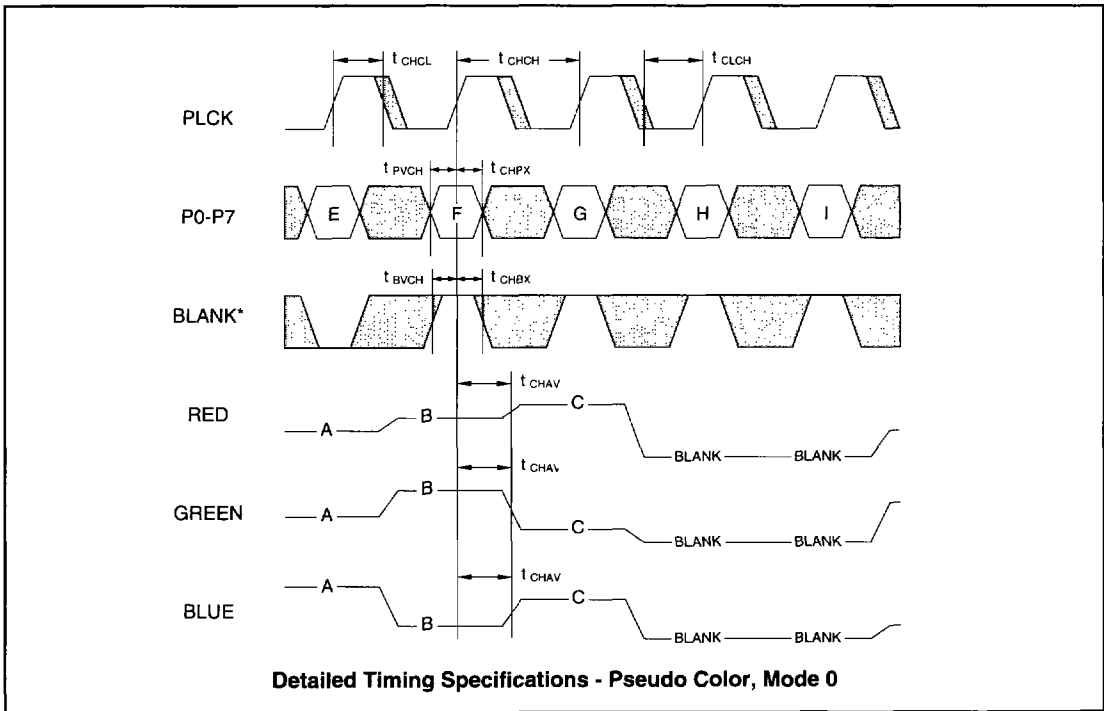
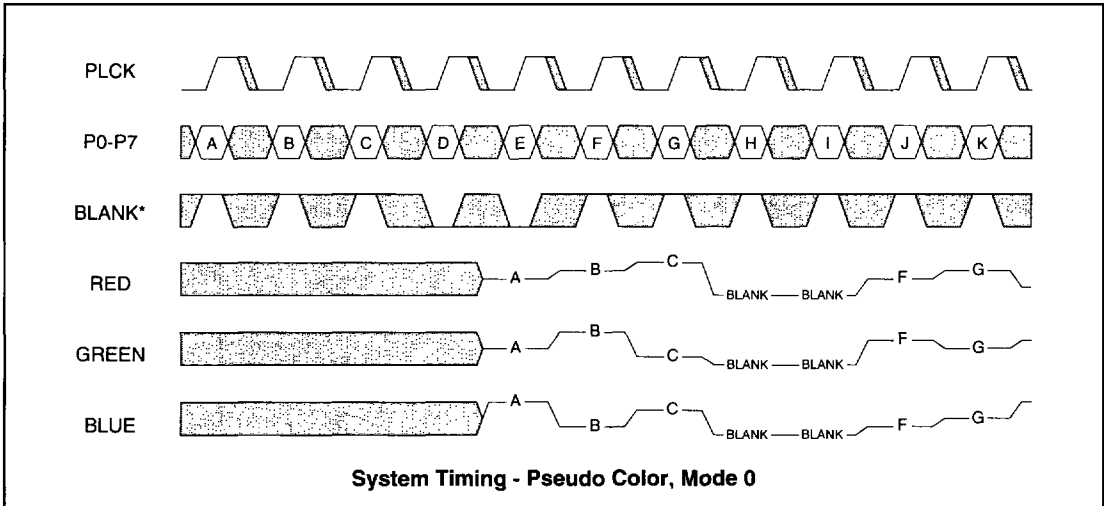
We have chosen the combination with the least frequency error, but several other combinations are within the 0.5% tolerance. Because the lowest value of (M+2) offers the best damping, the 37/4 combination will have the best power supply rejection. This results in lower jitter due to external noise.

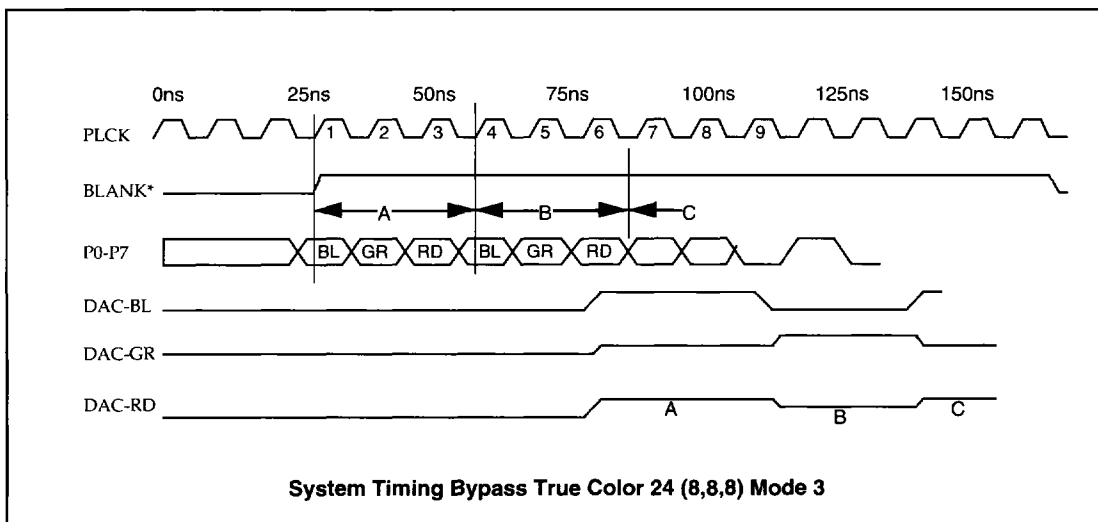
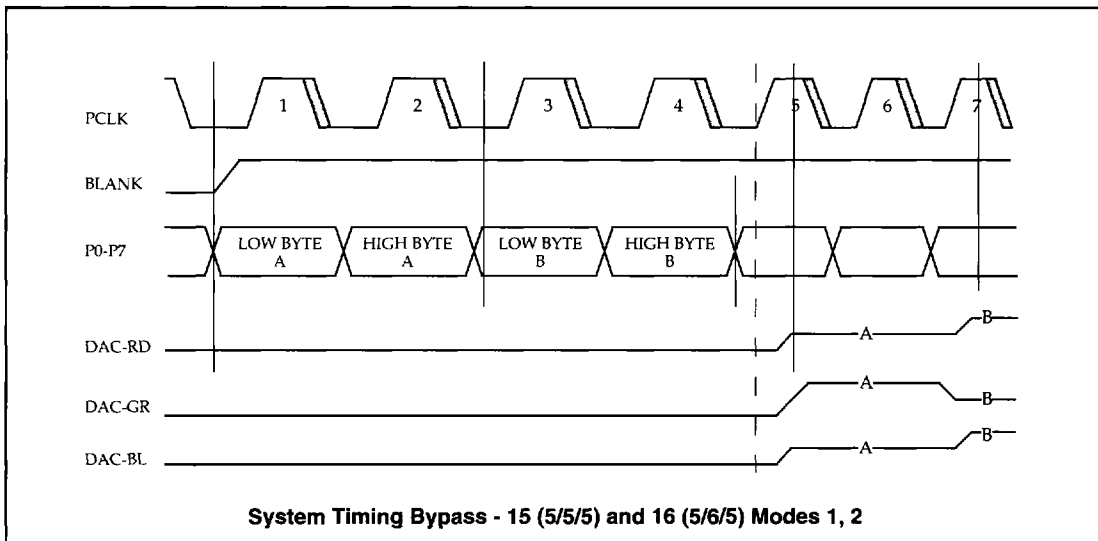


**Figure 3 - PLL Clock Synthesizer Block Diagram**

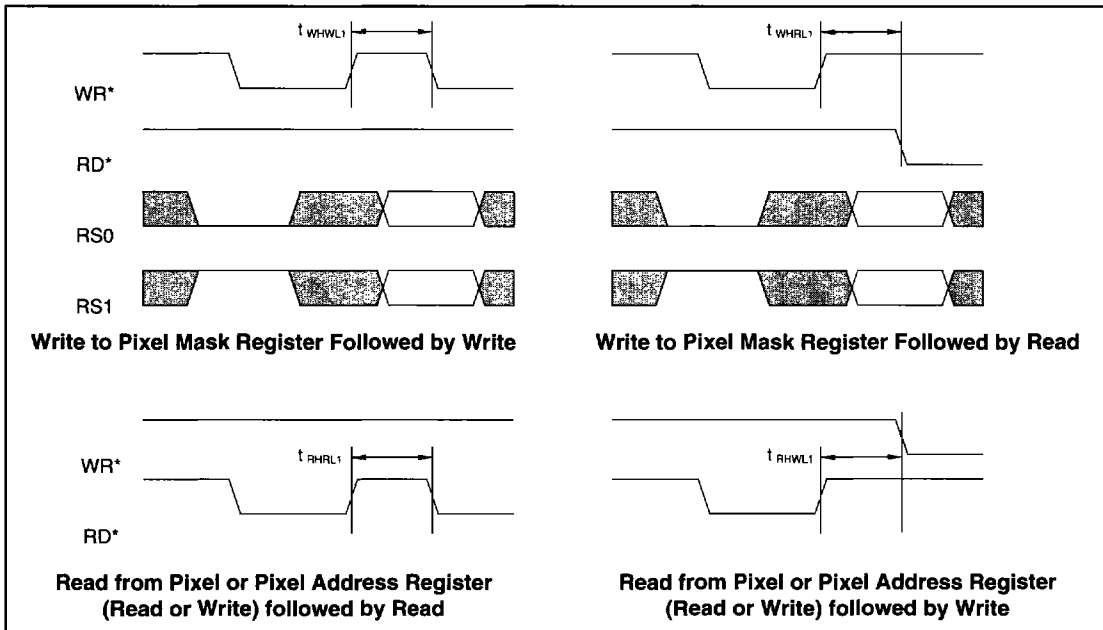
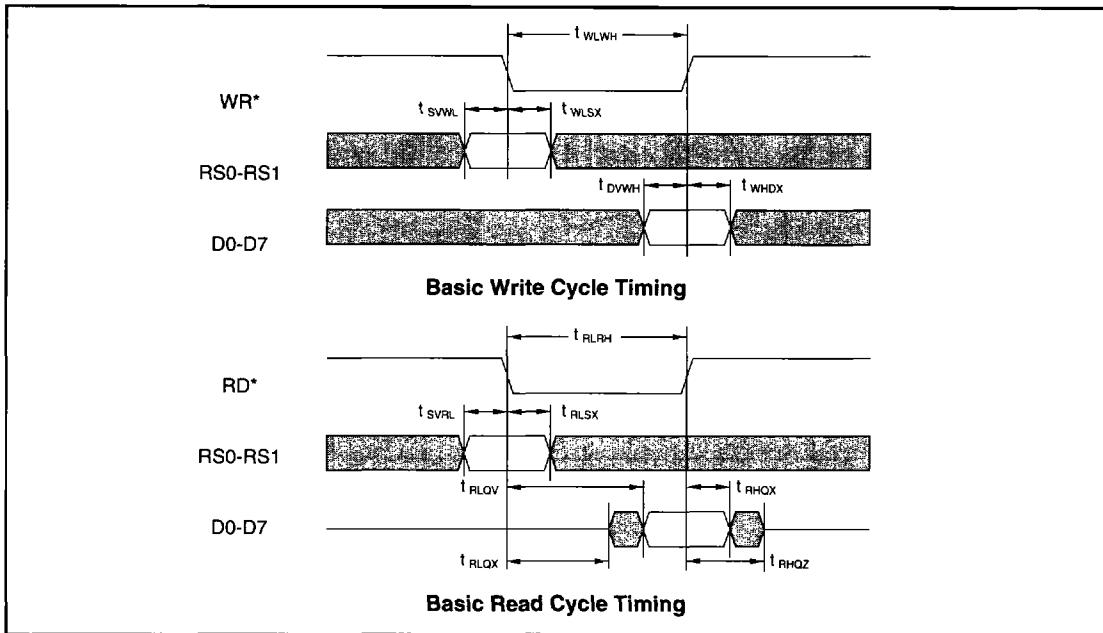
External Select			(Internal Select PLL Control Register)			CLK 0 Frequency
CS2	CS1	CS0	BIT 2	BIT 1	BIT 0	
0	0	0	0	0	0	f0
0	0	1	0	0	1	f1
0	1	0	0	1	0	f2
0	1	1	0	1	1	f3
1	0	0	1	0	0	f4
1	0	1	1	0	1	f5
1	1	0	1	1	0	f6
1	1	1	1	1	1	f7

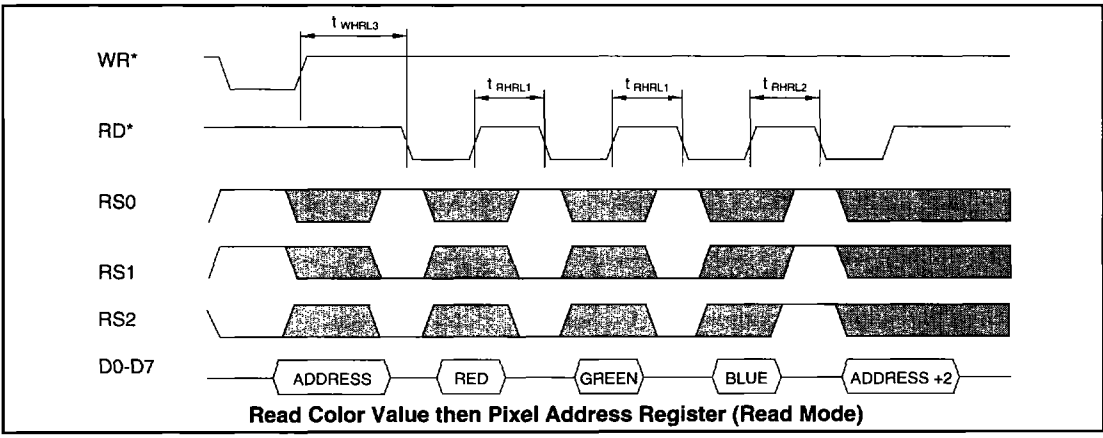
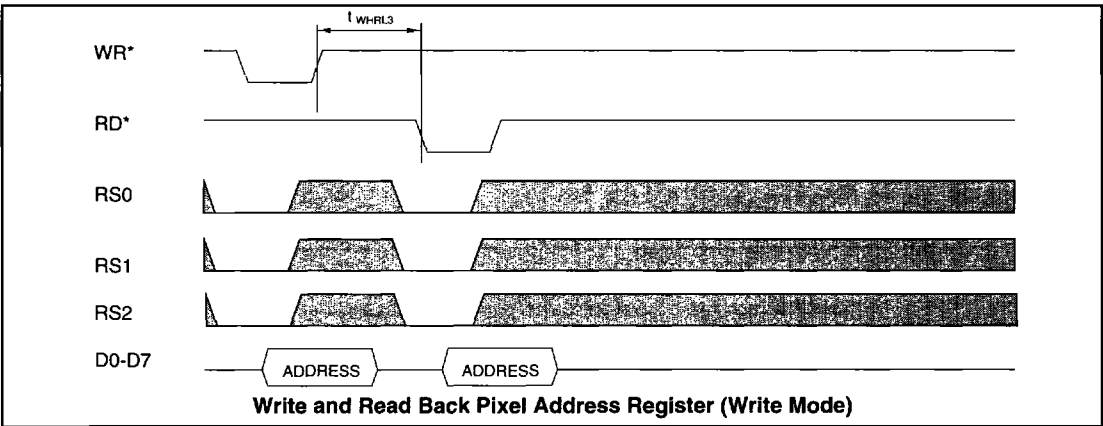
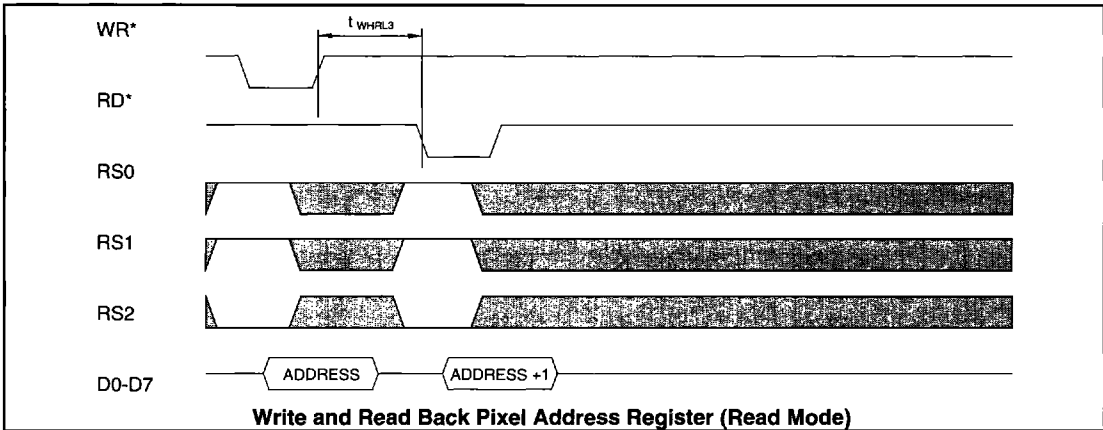
**Video Clock Selection Table**

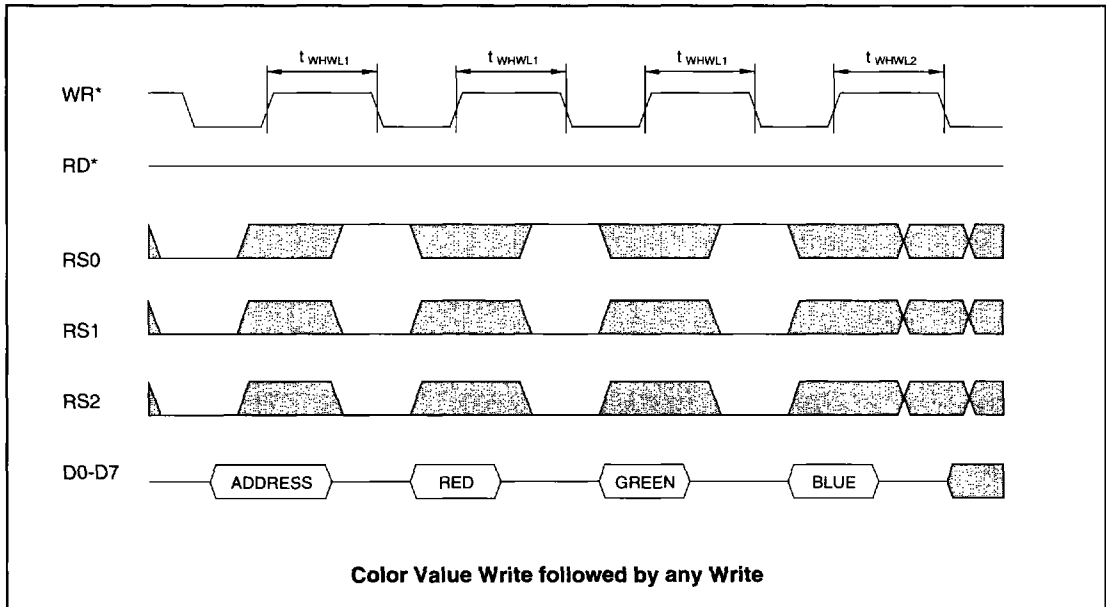
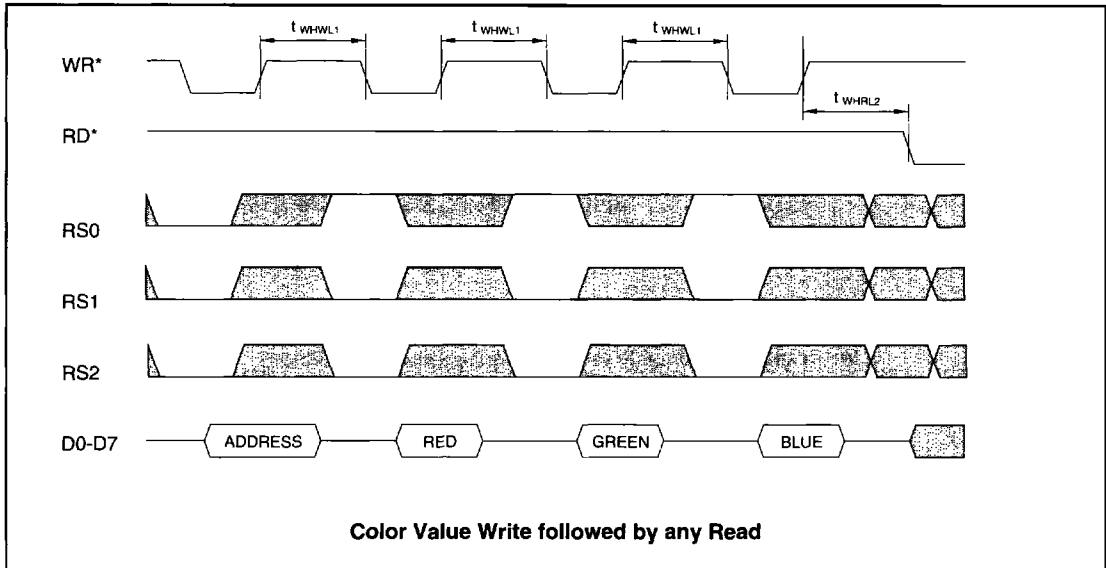




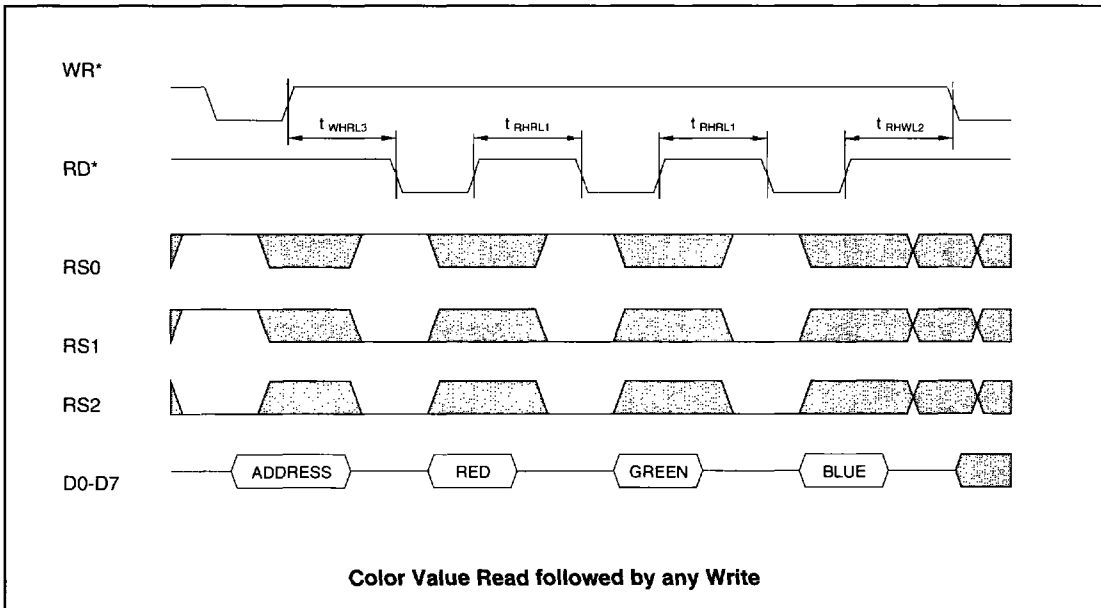
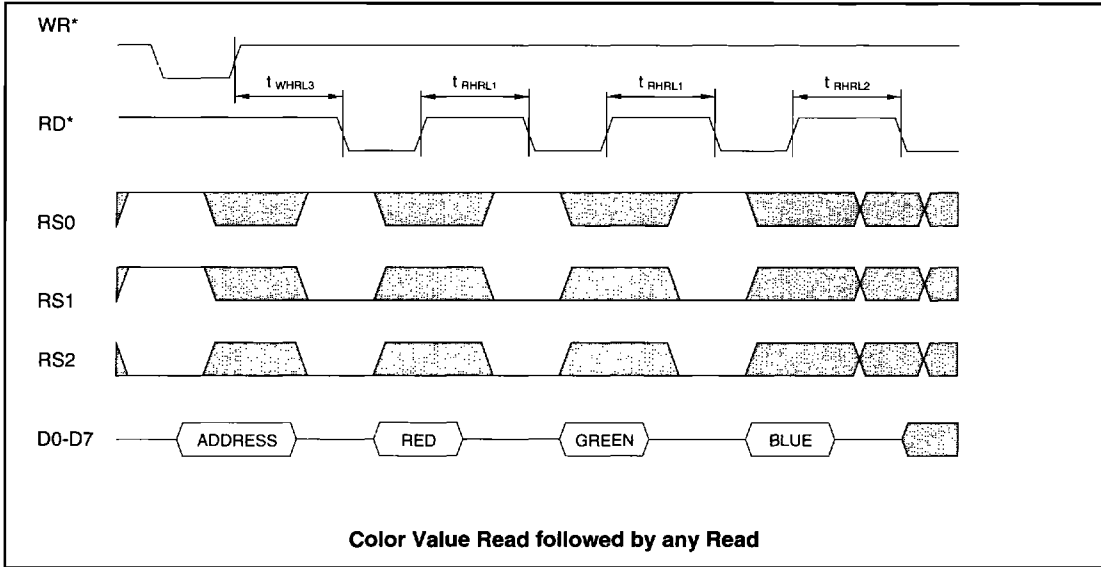
H

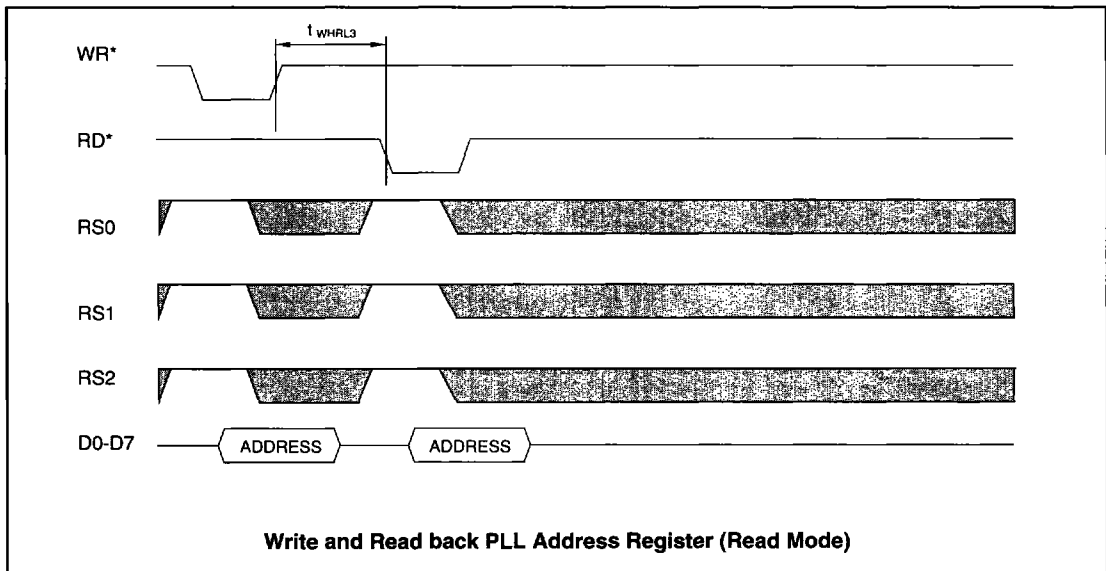
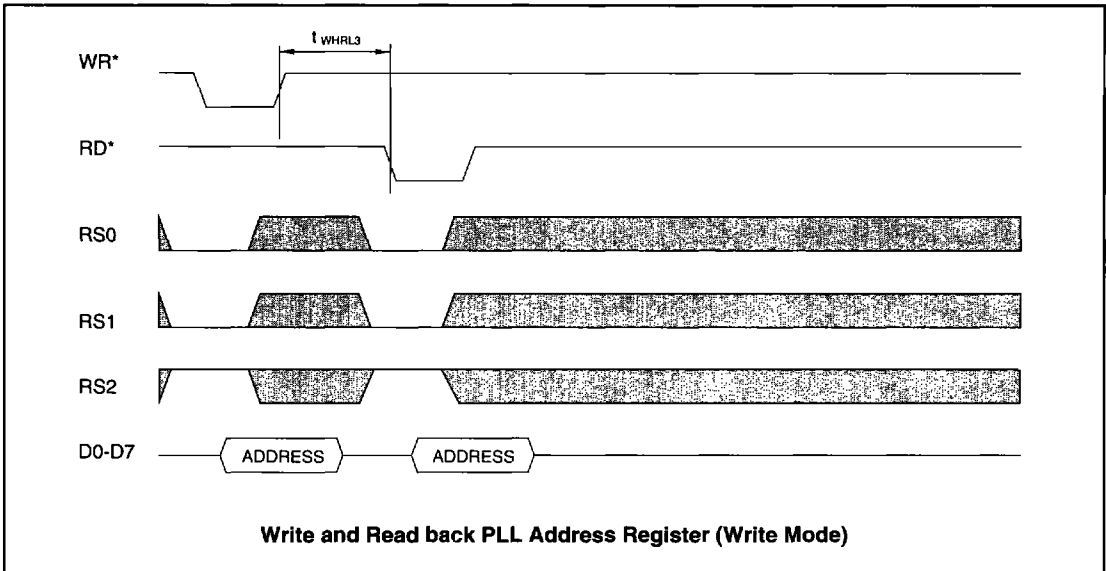


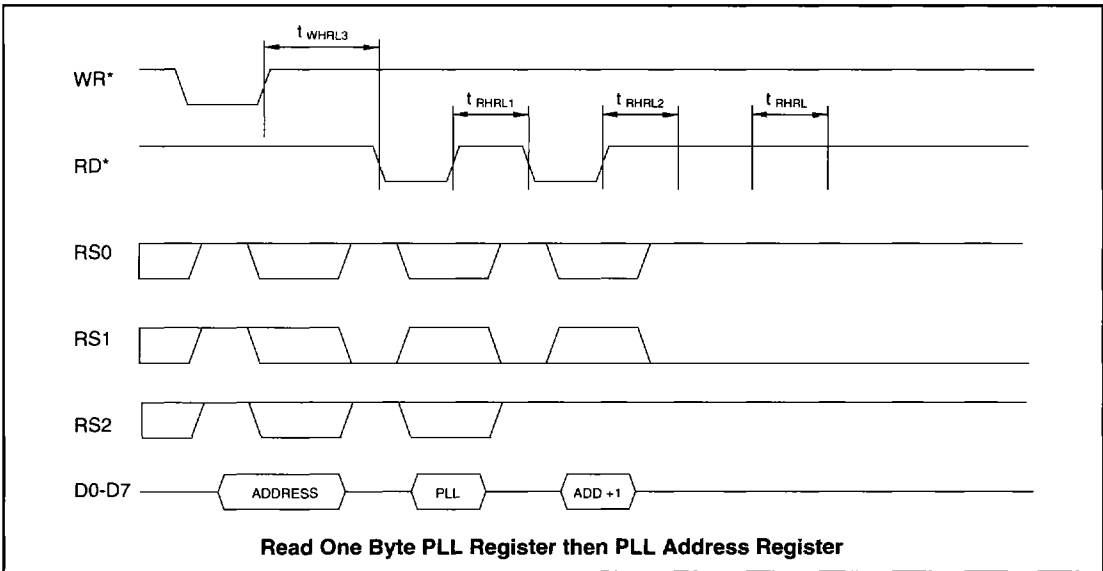
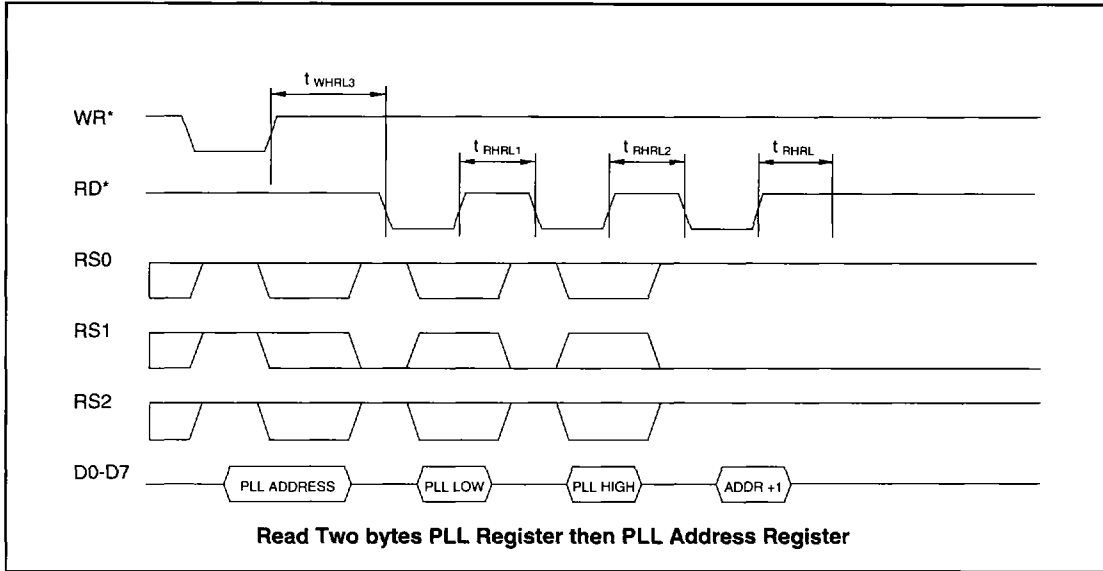








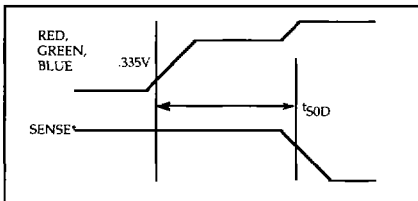




H



## Monitor SENSE Signal



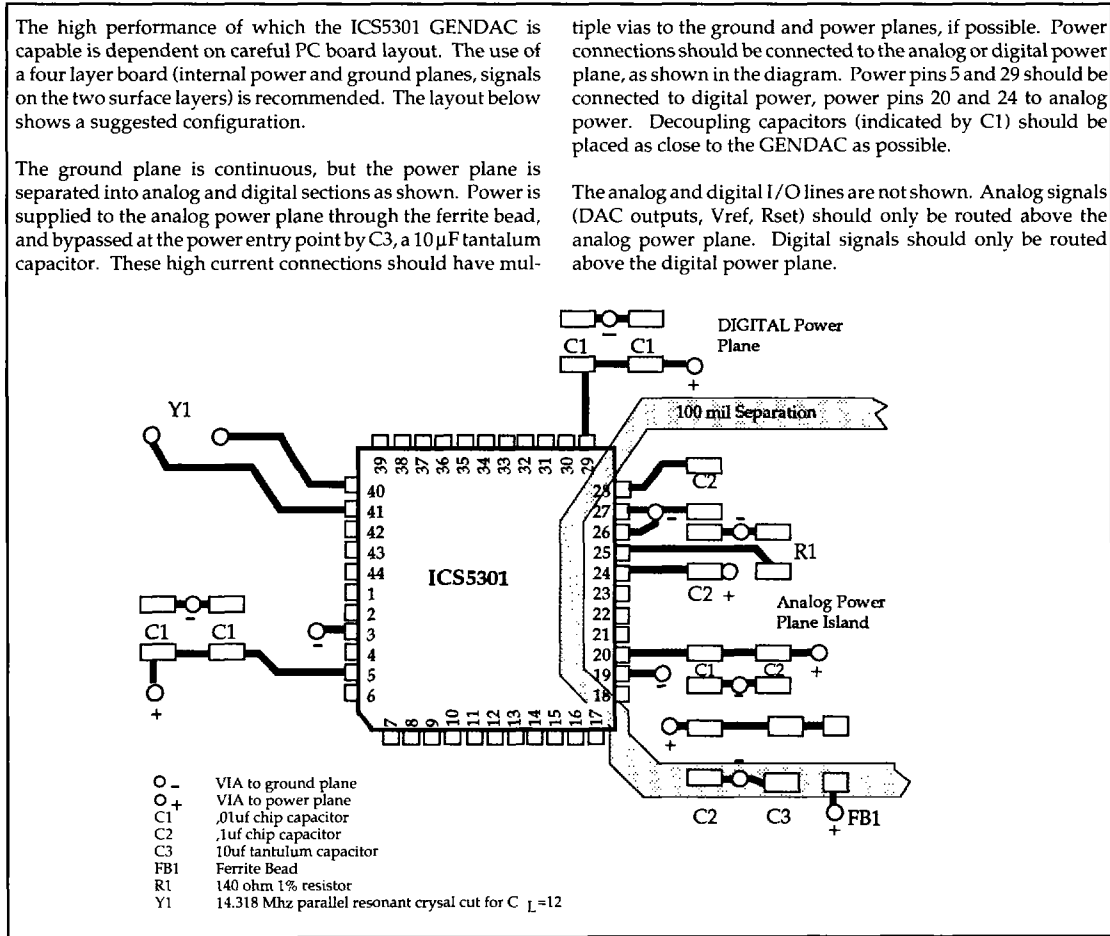
## Recommended Layout

The high performance of which the ICS5301 GENDAC is capable is dependent on careful PC board layout. The use of a four layer board (internal power and ground planes, signals on the two surface layers) is recommended. The layout below shows a suggested configuration.

The ground plane is continuous, but the power plane is separated into analog and digital sections as shown. Power is supplied to the analog power plane through the ferrite bead, and bypassed at the power entry point by C3, a 10 $\mu$ F tantalum capacitor. These high current connections should have mul-

iple vias to the ground and power planes, if possible. Power connections should be connected to the analog or digital power plane, as shown in the diagram. Power pins 5 and 29 should be connected to digital power, power pins 20 and 24 to analog power. Decoupling capacitors (indicated by C1) should be placed as close to the GENDAC as possible.

The analog and digital I/O lines are not shown. Analog signals (DAC outputs, Vref, Rset) should only be routed above the analog power plane. Digital signals should only be routed above the digital power plane.





**Ordering Information**

**ICS5301V**

Example:

**ICS XXXX M**

Package Type

V=PLCC

Device Type (consists of 3 or 4 digit numbers)

Prefix

ICS, AV=Standard Device; GSP=Genlock Device