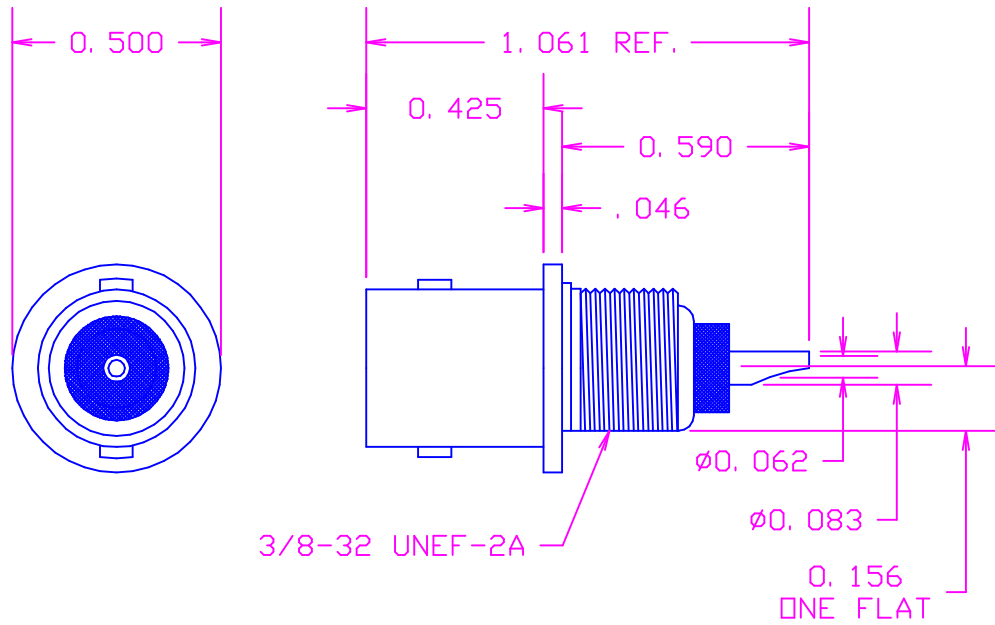
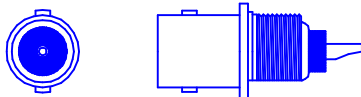


DATE	SYM	REVISION	RECORD	AUTH.	DR.	CK.
					NT	



MATERIAL: BODY- BRASS PER ASTM B16,
 CONTACT- BERYLLIUM COPPER PER ASTM B196
 INSULATION- TEFLON PER ASTM D1710
 FINISH: BODY- NICKEL PLATED PER QQ-N-290
 CONTACT- GOLD PLATED PER MIL-G-45204
 SUPPLIED WITH HEX.NUT AND LOCKWASHER

ACTUAL SIZE



TOLERANCES	CONCORD ELECTRONICS CORPORATION		
DECIMAL + .005 - .005	P/N	SCALE	30 GREAT JONES ST. NEW YORK N. Y. 10012
FRACTIONAL + -	TITLE BNC BULKHEAD RECEPTACLE		
ANGULAR + -	DATE 5-12-98	DRAWING NUMBER 800-2477-03-2G	