

FEATURES AND OPTIONS

- Available in 24, 36 or 50 contact versions
- Available in either male or female styles
- Contacts are gold plated
- 28 AWG flat ribbon cable

SPECIFICATIONS

MATERIALS

Contact: Phosphor Bronze, gold plated
Insulator: Polyester GV, VO, UL 94

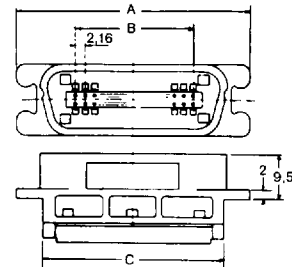
ELECTRICAL

Rated current: 1 A
Electrical ratings: 500 volts
Operating temperature range: -55°C to +105°C

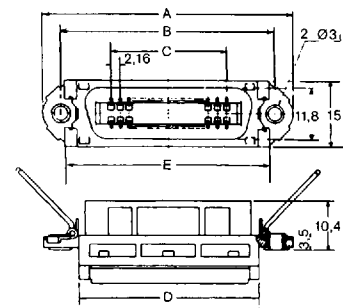
HOW TO ORDER

A57-XXXFR-T

- T = Tin plated outer shell,
omit -T for all plastic
- F = Female connector
- M = Male connector
- XX = Number of contacts



MALE



FEMALE

DIMENSIONS

MALE

| # of pins | A | B | C |
|-----------|---------------|---------------|---------------|
| 24 | 48.6 1.913 | 23.7 0.925 | 35.5 1.398 |
| 36 | 61.6 2.425 | 36.7 1.445 | 51.5 2.028 |
| 50 | 76.7 3.020 | 51.8 2.040 | 68.5 2.697 |

FEMALE

| # of pins | A | B | C | D | E |
|-----------|---------------|---------------|---------------|---------------|---------------|
| 24 | 55.1 2.169 | 47.0 1.850 | 23.8 0.937 | 35.5 1.398 | 46.3 1.823 |
| 36 | 68.8 2.709 | 60.0 2.362 | 36.7 1.445 | 53.4 2.103 | 58.0 2.288 |
| 50 | 83.0 3.268 | 74.7 2.941 | 51.5 2.028 | 68.7 2.705 | 73.0 2.874 |