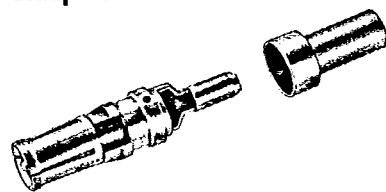


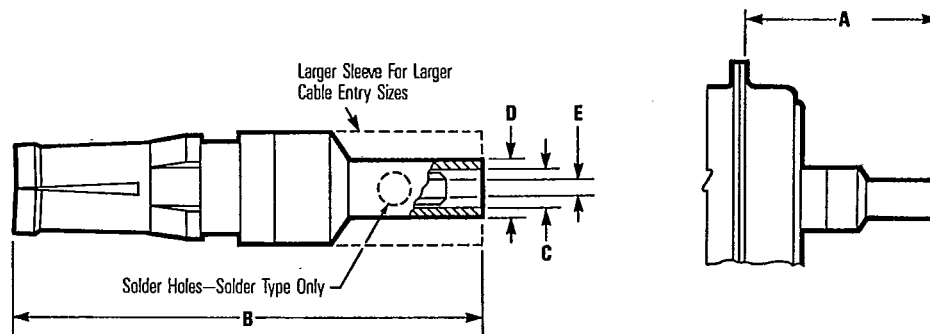
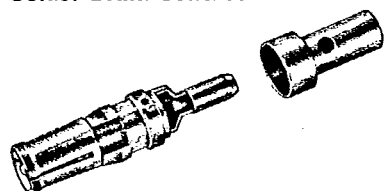
Straight Receptacles



Crimp Braid Contact



Solder Braid Contact



Photos are 1 1/2 x actual size

Ordering Information

Dimensions

Catalog Number Standard Plating	Military Plating	A		B		C		D		E		Use With RG Cable or Equivalent
		in	mm	in	mm	in	mm	in	mm	in	mm	
Crimp Braid Contact												
CN0961-R01C1	CN0961-R01C2	.739	18.77	.929	23.60	.093	2.36	.118	3.00	.040	1.02	RG 178 B/U
CN0961-R04C1	CN0961-R04C2	.739	18.77	.929	23.60	.125	3.18	.152	3.86	.067	1.70	RG 179 B/U RG 316 B/U
CN0961-R07C1	CN0961-R07C2	.847	21.51	1.037	26.34	.202	5.13	.235	5.97	.110	2.79	RG 180 B/U
CN0961-R08C1	CN0961-R08C2	.847	21.51	1.037	26.34	.202	5.13	.235	5.97	.125	3.18	RG 58 B/U

Specials

CN0961-R04C1-01	CN0961-R0C2-01	Description for each of these straight receptacles can be determined by using the Part Number System explained on page 12.									
CN0961-R07C8	CN0961-R04C8										
CN0961-R01C8											

Catalog Number Standard Plating	Military Plating	A		B		C		D		E		Use With RG Cable or Equivalent
		in	mm	in	mm	in	mm	in	mm	in	mm	
Solder Braid Contact												
CN0961-R01S1	CN0961-R01S2	.739	18.77	.929	23.60	.093	2.36	.118	3.00	.040	1.02	RG 178 B/U
CN0961-R04S1	CN0961-R04S2	.739	18.77	.929	23.60	.125	3.18	.152	3.86	.067	1.70	RG 179 B/U RG 316 B/U
CN0961-R07S1	CN0961-R07S2	.847	21.51	1.037	26.34	.202	5.13	.235	5.97	.110	2.79	RG 180 B/U
CN0961-R08S1	CN0961-R08S2	.847	21.51	1.037	26.34	.202	5.13	.235	5.97	.125	3.18	RG 58 B/U

Specials

CN0961-R01S8-03	CN0961-R04S1-09	CN0961-R04S16	CN0961-R07S14-02	Description for each of these straight receptacles can be determined by using the Part Number System explained on page 12.								
CN0961-R01S16	CN0961-R04S8	CN0961-R02S2	CN0961-R07S8									
CN0961-R01S1-02	CN0961-R01S13-11	CN0961-R02S1	CN0961-R07S15									
CN0961-R01S13-08	CN0961-R04S13-08	CN0961-R01S15	CN0961-R08S13-08									
CN0961-R01S14	CN0961-R04S14-02	CN0961-R04S8	CN0961-R08S16									
CN0961-R01S2-02	CN0961-R04S15	CN0961-R05S1	CN0961-R04S1-02									
CN0961-R01S16-09	CN0961-R04S2-02	CN0961-R07S13-08										

Reverse Type Straight Receptacles

The reverse type straight receptacle has a receptacle outer shell but an inner socket contact. All other D-Subminiature features are the same as regular D-Subminiature Coax Contacts.

Description for each of these reverse contacts can be determined by using the Part Number System on page 12.

Catalog Number Reverse Type Straight Receptacles

- CN0961-RR04S1
- CN0961-RR08S1
- CN0961-RR07S1