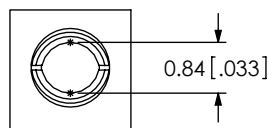
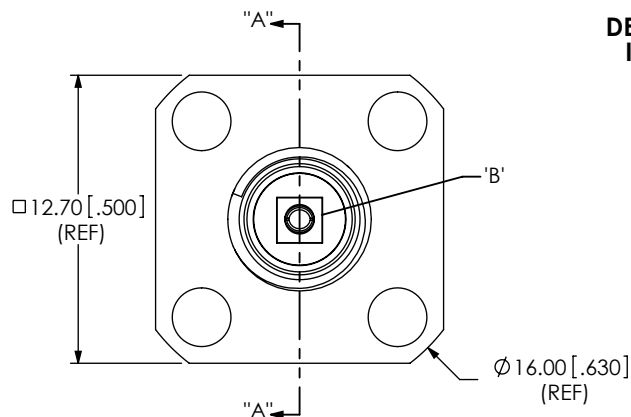


DESIGNED & DIMENSIONED
IN MILLIMETERS [INCHES]

SMA-J-P-X-ST-PN4



DETAIL 'B'
SCALE 8:1

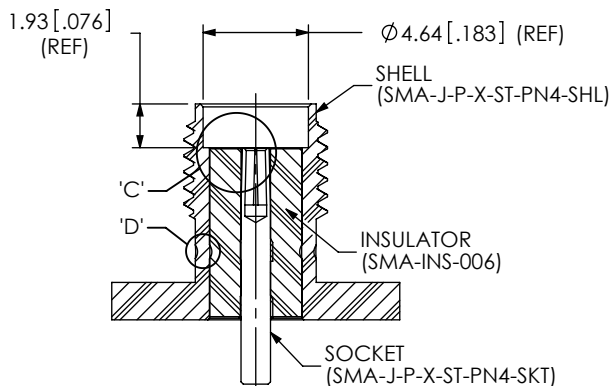
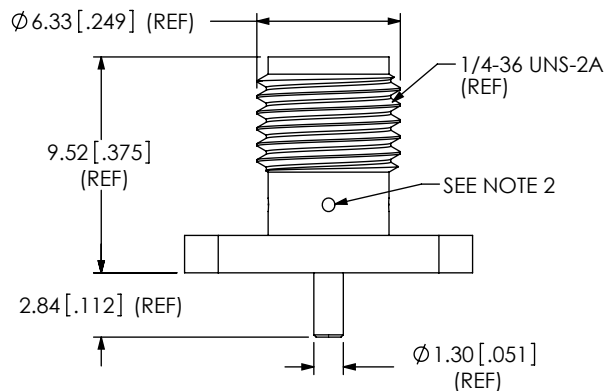
GENDER
-J: JACK

TYPE
-P: PCB

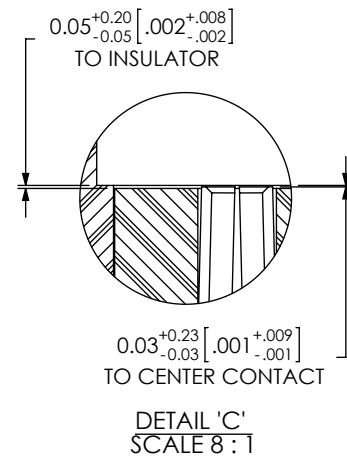
TERMINATION
-PN4: PANEL MOUNT

ORIENTATION
-ST: STRAIGHT

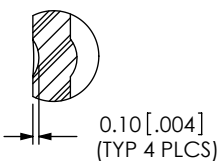
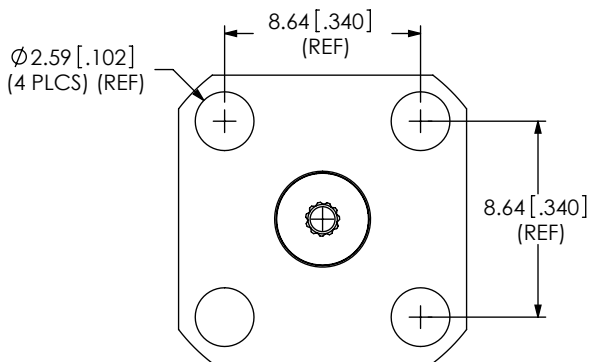
PLATING SPECIFICATION
-H: HEAVY GOLD
(SEE TABLE 1)



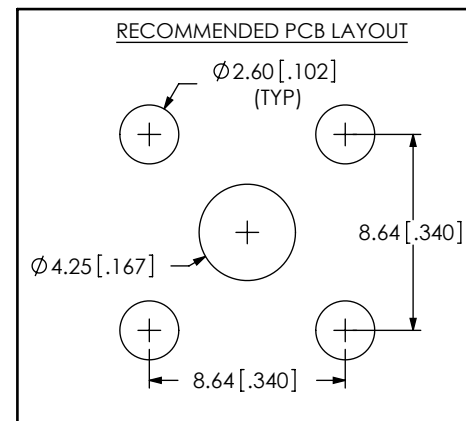
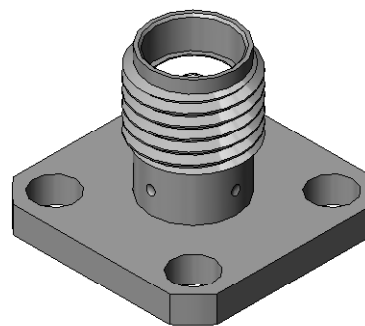
SECTION "A"- "A"



DETAIL 'C'
SCALE 8:1



DETAIL 'D'
SCALE 8:1



NOTES:

1. REPRESENTS A CRITICAL DIMENSION.
2. STAKE AROUND CIRCUMFERENCE 4 INDENTSEQUALY SPACED.
3. PUSHOUT FORCE FOR INSULATOR: 44.48 N [10 LB] MIN.
4. CENTER CONTACT PUSHOUT FORCE: 26.69 N [6 LB] MIN.
5. PARTS TO BE PACKAGED IN TRAYS; IF QUANTITY IS LESS THAN HALF TRAY, PARTS TO BE PACKAGED IN COHESIVE FOAM
6. RoHS COMPLIANT.

c:\enterprise\vauf\DWG\MISC\MKTG\SMA-J-P-X-ST-PN4-MKT.SLDDRW

UNLESS OTHERWISE SPECIFIED, DIMENSIONS ARE IN MILLIMETERS [INCHES]. TOLERANCES ARE:
DECIMALS ANGLES
.X: ±0.3 [.01] 2°
.XX: ±0.13 [.005]
.XXX: ±0.051 [.0020]

PROPRIETARY NOTE

THIS DOCUMENT CONTAINS INFORMATION CONFIDENTIAL AND PROPRIETARY TO SAMTEC, INC. AND SHALL NOT BE REPRODUCED OR TRANSFERRED TO OTHER DOCUMENTS OR DISCLOSED TO OTHERS OR USED FOR ANY PURPOSE OTHER THAN THAT WHICH IT WAS OBTAINED WITHOUT THE EXPRESSED WRITTEN CONSENT OF SAMTEC, INC.

MATERIAL: DO NOT SCALE DRAWING SHEET SCALE: 3:1
SEE TABLE 1



520 PARK EAST BLVD, NEW ALBANY, IN 47150
PHONE: 812-944-6733 FAX: 812-948-5047
e-Mail: info@SAMTEC.com code: 55322

DESCRIPTION:
SMA STRAIGHT, PANEL MOUNT JACK- 50 OHM
DWG. NO. SMA-J-P-X-ST-PN4
BY: R MUSSER 01/28/2008 SHEET 1 OF 1

TABLE 1: MATERIAL

| SAMTEC PART NUMBER | ITEM | MATERIAL | PLATING - (REFERENCE) |
|----------------------|-----------|---------------------|---|
| SMA-J-P-X-ST-PN4-SHL | SHELL | BRASS C3604B | 0.00013[.000005] GOLD OVER .00127[.000050] NICKEL |
| SMA-INS-006 | INSULATOR | PTFE TEFLON (WHITE) | N/A |
| SMA-J-P-X-ST-PN4-SKT | SOCKET | BeCu C 17300 | 0.00076[.000030] GOLD OVER .00127[.000050] NICKEL |