



### FEATURES

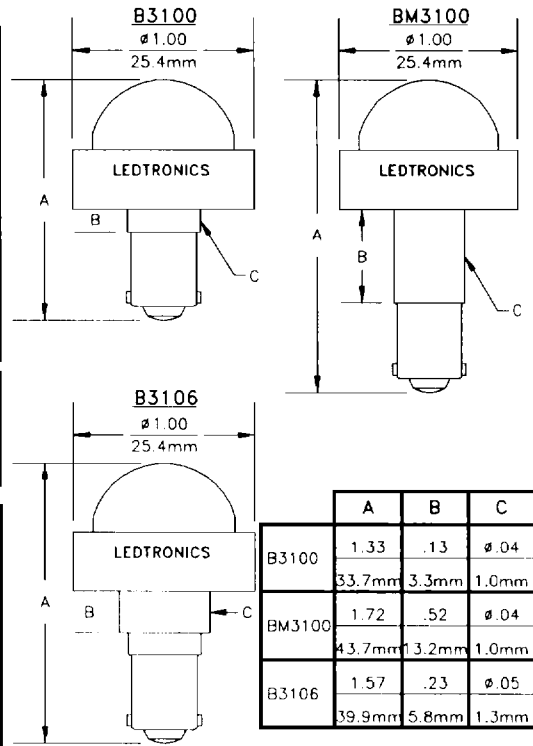
#### DIRECTLY REPLACES STANDARD INCANDESCENTS

- 10 YEAR / 100,000 HOURS
- SOLID STATE - HIGH SHOCK & VIBRATION RESISTANCE
- BUILT-IN CURRENT LIMITING RESISTOR FOR APPLICATIONS FROM 4V TO 240VAC
- HIGH INTENSITY ILLUMINATION
- LOW CURRENT-POWER SAVINGS 100 TO 500% AND MORE...
- CHOICE OF 3 BODY LENGTHS
- LARGE EVENLY DIFFUSED LENS, OVER 180 DEG. VIEW
- DIRECTLY REPLACES STD INCAND. IN AB 800T, LH76 & ET16 HOLDERS
- PILOT LIGHTS, IND. CONTROLS, LIGHTED PUSHBUTTON SWITCHES, AUTOMOTIVE INDICATORS, ETC.

#### REPLACES FOLLOWING INCANDESCENTS

6MB, 12MB, 24MB, 120MB, 44, 47, 51, 130, 137, 219, 239, 240, 755, 1302, 1437, 1445, 1819, 1828, 1829, 1832, 1835, 1847, 1866, 1892

PART NO: <b>B3106 TR3-28V/20-P</b>			
MODEL #	LENS/COLOR/BRIGHT	VOLTS/mAmps Typ	FEATURES
MULTICHIP 6-CHIP	TR3K = 3Kmcld RED	4Vf, 6Vf, 12Vf= EXT. RES. REQD.	CENTER CONTACT: B = BLK BEZEL
B3106 FOR LH76/BS780	TR6 = ULTRA RED	5V/60,6V/60,12V/30,14V/30,	P = POSITIVE +
B3100 FOR AB-800T/FVLU	TR3 = HI-EFF RED	24V/20,28V/20,36V/15,48V/15,	N = NEGATIVE -
BM3100 FOR E116/MFVL	T04 = ORANGE	60V/12,120VAC/8	BP = BIPOLAR
	TY3 = YELLOW	Other Voltage/mAmps Available	AC = VAC
	TG3 = HI-EFF GREEN		

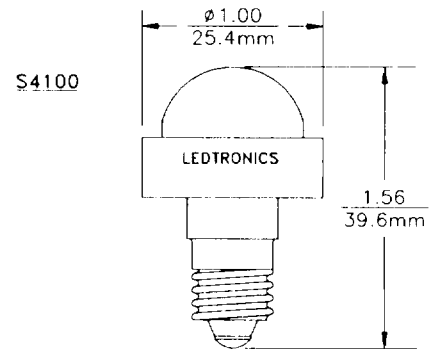


### CANDELABRA SCREW BASE GLOW BULB LEDs

#### REPLACES FOLLOWING INCANDESCENTS

3S6, 6S6 IN 6V-12V-24V-30V-48V-60V-75V-125V AC/DC

PART NO: <b>S4100 TR3-28V/20-P</b>			
MODEL #	LENS/COLOR/BRIGHT	VOLTS/mAmps Typ	FEATURES
MULTICHIP 6-CHIP	TR3K = 3Kmcld RED	4Vf, 6Vf, 12Vf= EXT. RES. REQD.	CENTER CONTACT: B = BLK BEZEL
S4100	TR6 = ULTRA RED	5V/60,6V/60,12V/30,14V/30,	P = POSITIVE +
	TR3 = HI-EFF RED	24V/20,28V/20,36V/15,48V/15,	N = NEGATIVE -
	T04 = ORANGE	60V/12,120VAC/8	BP = BIPOLAR
	TY3 = YELLOW	Other Voltage/mAmps Available	AC = VAC
	TG3 = HI-EFF GREEN		



### AUTOMOTIVE BASE GLOW BULB LEDs

#### REPLACES FOLLOWING INCANDESCENTS

6, 64, 72, 73D, 81, 88, 90, 94, 99, 104, 210, 302, 304, 306, 308, 895, ETC.

PART NO: <b>DB3100 TR3-28V/20-P</b>			
MODEL #	LENS/COLOR/BRIGHT	VOLTS/mAmps Typ	FEATURES
MULTICHIP 6-CHIP	TR3K = 3Kmcld RED	4Vf, 6Vf, 12Vf= EXT. RES. REQD.	CENTER CONTACT: B = BLK BEZEL
B3100	TR6 = ULTRA RED	5V/60,6V/60,12V/30,14V/30,	P = POSITIVE +
DB3100	TR3 = HI-EFF RED	24V/20,28V/20,36V/15,48V/15,	N = NEGATIVE -
DB3100	T04 = ORANGE	60V/12,120VAC/8	BP = BIPOLAR
S3100	TY3 = YELLOW	Other Voltage/mAmps Available	AC = VAC
	TG3 = HI-EFF GREEN		

