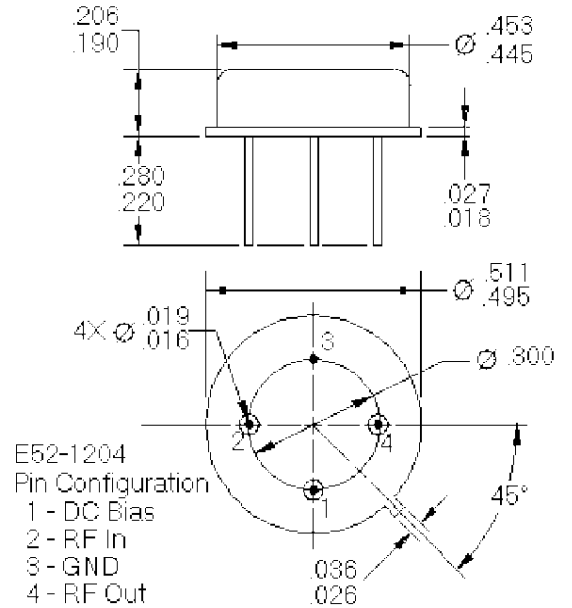


# QBH-873 Amplifier Performance Specifications

Specifications	Min/Max +25 °C	Min/Max -55 to +85 °C
Frequency (MHz)	10 – 250	
Gain (dB)	23.0 ±1.0	+0.6 / -0.6
Gain Flatness (dB)	+1.0	+1.0
Noise Figure (dB)	4.5	5.0
Power Out (dBm)	+22.0	+21.5
3rd Order Int (dBm)	+33.0	+30.0
2nd Order Int (dBm)	+43.0	+40.0
Reverse Isolation (dB)	+27.0	+27.0
Input VSWR	1.8:1	2.0:1
Output VSWR	1.8:1	2.0:1
DC Current (mA)	+90.0	+95.0
DC Voltage (V)	+15.0	
Gain vs. Vdc (dB/V)		

Absolute Maximum Ratings	
Sustained Voltage (Vdc)	
Pulsed (Transient) Voltage (V)	
Operating Temperature	-55 to +125 °C
Storage Temperature	-65 to +150 °C
Maximum Input Drive (Vrms)	
Thermal Rise, junction-case	

Mechanical Outline Drawing



## Q-bit Corporation

2144 Franklin Drive NE  
Palm Bay, FL 32905  
Q-Vision Ver. 1.0

Phone: (407) 727-1838  
FAX: (407) 727-3729  
Date: 06-03-1998

E-mail: [sales@q-bit.com](mailto:sales@q-bit.com)  
Sales: (800) 226-1772

# **QBH-873 Amplifier Performance Specifications**

## **Q-bit Corporation**

2144 Franklin Drive NE  
Palm Bay, FL 32905  
Q-Vision Ver. 1.0

Phone: (407) 727-1838  
FAX: (407) 727-3729  
Date: 06-03-1998

E-mail: [sales@q-bit.com](mailto:sales@q-bit.com)  
Sales: (800) 226-1772