

CUC-K-D1ZNI-S/R4GCHP8 - RJ45 coupling



1086108

<https://www.phoenixcontact.com/us/products/1086108>

Please be informed that the data shown in this PDF document is generated from our Online Catalog. Please find the complete data in the user documentation. Our General Terms of Use for Downloads are valid.



RJ45 coupling, degree of protection: IP20, number of positions: 8, 10 Gbps, CAT6_A, material: Metal, connection method: Coupling, cable outlet: straight, Keystone design for use with IP20 and IP67 panel mounting frame or integrated directly into the housing panel, Ethernet

Your advantages

- Compact design

Commercial Data

Item number	1086108
Packing unit	1 pc
Minimum order quantity	1 pc
Sales Key	AB11
Product Key	ABNABC
GTIN	4055626877808
Weight per Piece (including packing)	15.4 g
Weight per Piece (excluding packing)	15.4 g
Customs tariff number	85366930
Country of origin	PL

CUC-K-D1ZNI-S/R4GCHP8 - RJ45 coupling

1086108

<https://www.phoenixcontact.com/us/products/1086108>

Technical Data

Product properties

Type	RJ45
Product type	Female insert
Number of positions	8
Connection profile	RJ45
Number of slots	2
Cable outlet	straight

Insulation characteristics

Overvoltage category	III
Degree of pollution	2

Electrical properties

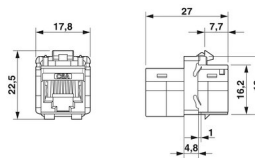
Rated voltage (III/3)	72 V (DC)
Rated surge voltage	0.8 kV
Rated current	1 A (at 60 °C)
Max. operating voltage U_{max}	72 V DC
Frequency range	500 MHz
Insulation resistance	$\geq 500 \text{ M}\Omega$
Nominal current I_N	0.5 A
Contact resistance	200 m Ω (Trunk in to trunk out)

Connection data

Connection technology

Connection method	Coupling
-------------------	----------

Dimensions

Dimensional drawing	
Width	17.8 mm
Height	22.5 mm
Length	27 mm
Drill hole distance, horizontal	2.95 mm
Drill hole distance, vertical	3 mm

Material specifications

Flammability rating according to UL 94	V0
Housing surface material	metal-plated

CUC-K-D1ZNI-S/R4GCHP8 - RJ45 coupling



1086108

<https://www.phoenixcontact.com/us/products/1086108>

Contact material	Spring steel
Contact surface material	Gold
Housing material	Metal

Mechanical properties

Mechanical data

Insertion/withdrawal cycles	≥ 750
-----------------------------	-------

Environmental and real-life conditions

Ambient conditions

Degree of protection	IP20
	IP20
Ambient temperature (operation)	-25 °C ... 70 °C
Ambient temperature (storage/transport)	60 °C

Standards and regulations

Standards/specifications	IEC 60603-7
	DIN EN 50173-1
	ISO/IEC 11801-Am.1
	IEC 60068-2

Mounting

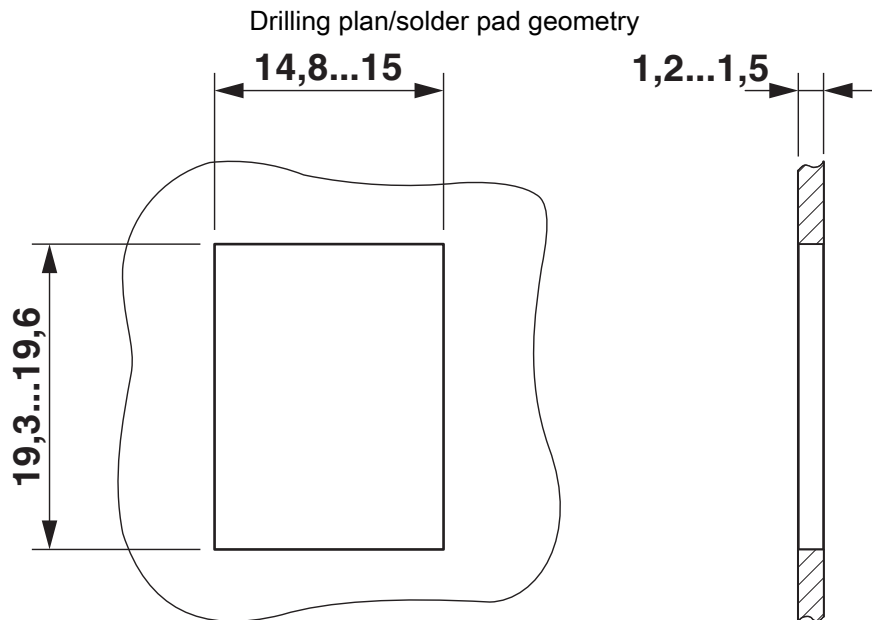
Mounting type	Snap in
---------------	---------

CUC-K-D1ZNI-S/R4GCHP8 - RJ45 coupling

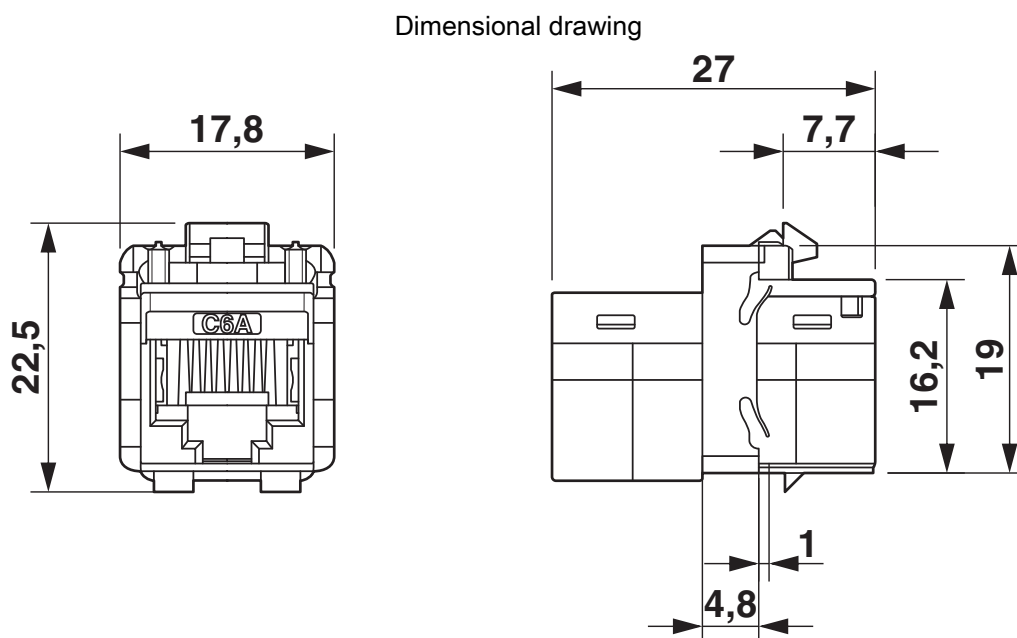
1086108

<https://www.phoenixcontact.com/us/products/1086108>

Drawings



Panel cutout



RJ45 socket insert, keystone

CUC-K-D1ZNI-S/R4GCHP8 - RJ45 coupling



1086108

<https://www.phoenixcontact.com/us/products/1086108>

Approvals



cUL Recognized

Approval ID: FILE E 335024



UL Recognized

Approval ID: FILE E 335024



EAC

Approval ID: B.01687

CUC-K-D1ZNI-S/R4GCHP8 - RJ45 coupling



1086108

<https://www.phoenixcontact.com/us/products/1086108>

Classifications

ECLASS

ECLASS-10.0.1	19179290
ECLASS-11.0	19179090
ECLASS-12.0	19179090
ECLASS-13.0	19179090

ETIM

ETIM 8.0	EC002608
----------	----------

UNSPSC

UNSPSC 21.0	43222600
-------------	----------

CUC-K-D1ZNI-S/R4GCHP8 - RJ45 coupling



1086108

<https://www.phoenixcontact.com/us/products/1086108>

Environmental Product Compliance

China RoHS	Environmentally friendly use period: unlimited = EFUP-e
	No hazardous substances above threshold values

CUC-K-D1ZNI-S/R4GCHP8 - RJ45 coupling

1086108

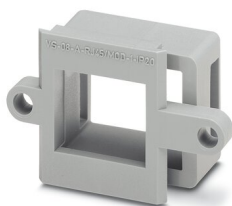
<https://www.phoenixcontact.com/us/products/1086108>

Accessories

VS-08-A-RJ45/MOD-1-IP20 - Panel mounting frames

1689433

<https://www.phoenixcontact.com/us/products/1689433>



RJ45 panel mounting frame, 1x, IP20, for modular socket inserts (Keystone), without mounting screws

VS-08-A-RJ45/MOD-1-R-IP67 - Panel mounting frames

1689844

<https://www.phoenixcontact.com/us/products/1689844>



RJ45 panel mounting frame, IP67, for modular socket inserts (Keystone), for round panel cutout, with grommet, with thread and union nut, color: gray

CUC-K-D1ZNI-S/R4GCHP8 - RJ45 coupling

1086108

<https://www.phoenixcontact.com/us/products/1086108>



VS-08-A-RJ45/MOD-1-IP67 - Panel mounting frames

1689080

<https://www.phoenixcontact.com/us/products/1689080>



RJ45 panel mounting frame, IP67, for modular socket inserts (Keystone), for square panel cutout, with grommet, without mounting screws, color: gray

VS-08-A-RJ45/MOD-1-R-IP67 BK - Panel mounting frames

1658053

<https://www.phoenixcontact.com/us/products/1658053>



RJ45 panel mounting frame, IP67, for modular socket inserts (Keystone), for round panel cutout, with grommet, with thread and union nut, color: black

CUC-K-D1ZNI-S/R4GCHP8 - RJ45 coupling

1086108

<https://www.phoenixcontact.com/us/products/1086108>



VS-08-A-RJ45/MOD-1-IP67-BK - Panel mounting frames

1658642

<https://www.phoenixcontact.com/us/products/1658642>



RJ45 panel mounting frame, IP67, for modular socket inserts (Keystone), for square panel cutout, with grommet, without mounting screws, color: black

VS-08-RJ45-10G/Q - RJ45 connector

1419001

<https://www.phoenixcontact.com/us/products/1419001>



RJ45 connector, design: RJ45, degree of protection: IP20, number of positions: 8, 10 Gbps, CAT6_A, material: Plastic, connection method: Insulation displacement connection, cable outlet: straight, color: black, Ethernet

Phoenix Contact 2023 © - all rights reserved
<https://www.phoenixcontact.com>

Phoenix Contact USA
586 Fulling Mill Road
Middletown, PA 17057, United States
(+717) 944-1300
info@phoenixcon.com