

DO NOT SCALE FROM THIS PRINT

DESIGNED & DIMENSIONED IN MILLIMETERS [INCHES]

SMA-J-P-X-ST-TH1

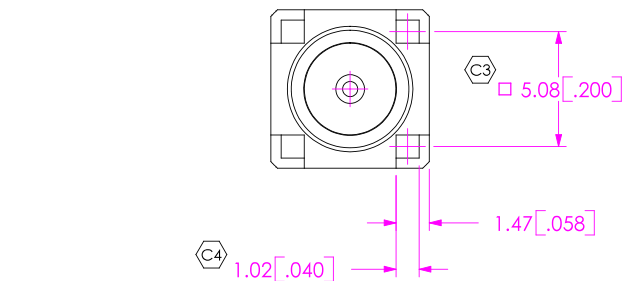
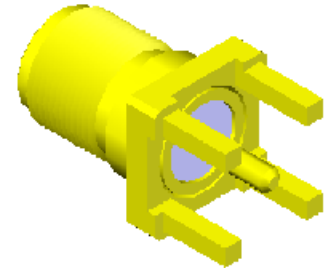
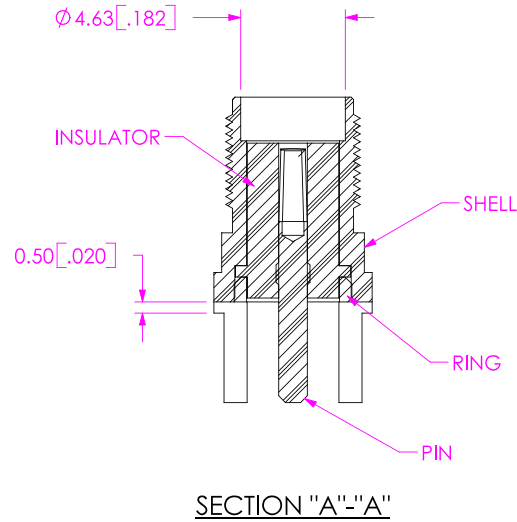
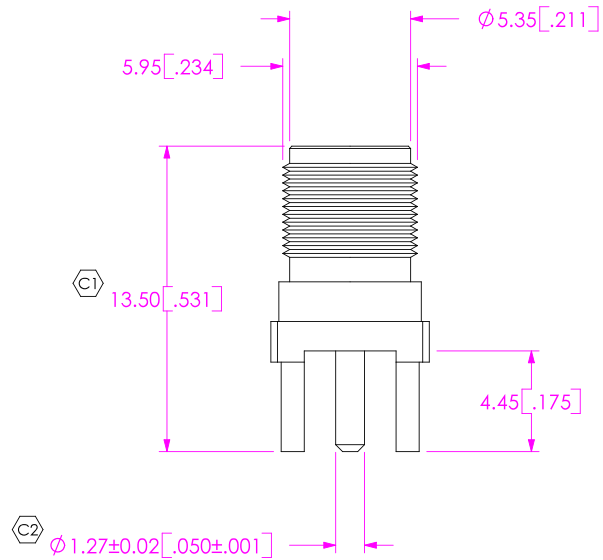
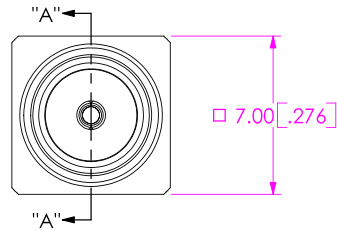
GENDER  
-J: JACK

TERMINATION  
-TH1: THROUGH HOLE

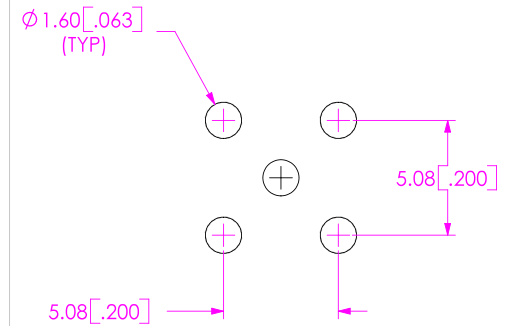
TYPE  
-P: PCB

ORIENTATION  
-ST: STRAIGHT

PLATING SPECIFICATION  
-H: HEAVY GOLD



RECOMMENDED PCB LAYOUT



NOTES:

1. Ⓢ REPRESENTS A CRITICAL DIMENSION.
2. PARTS TO BE PACKAGED IN TRAYS; IF QUANTITY IS LESS THAN HALF OF THE TRAY, PARTS TO BE PACKAGED IN COHESIVE FOAM.

UNLESS OTHERWISE SPECIFIED, DIMENSIONS ARE IN METRIC. TOLERANCES ARE:  
DECIMALS ANGLES  
.XX: ± .10 [0.04] 5°  
.XXX: ± .05 [0.020]

PROPRIETARY NOTE

THIS DOCUMENT CONTAINS INFORMATION CONFIDENTIAL AND PROPRIETARY TO SAMTEC, INC. AND SHALL NOT BE REPRODUCED OR TRANSFERRED TO OTHER DOCUMENTS OR DISCLOSED TO OTHERS OR USED FOR ANY PURPOSE OTHER THAN THAT WHICH IT WAS OBTAINED WITHOUT THE EXPRESSED WRITTEN CONSENT OF SAMTEC, INC.

MATERIAL: DO NOT SCALE DRAWING SHEET SCALE: 3:1

SHELL: BRASS C3604B  
PLATING: .08[.000003] GOLD OVER 1.25[.000050] NICKEL  
PIN: BeCu C17300  
PLATING: .13[.000005] GOLD OVER 1.25[.000050] NICKEL  
INSULATOR: TEFLON  
RING: BRASS C3604B  
PLATING: .13[.000005] GOLD OVER 1.25[.000050] NICKEL

**SAMTEC**

520 PARK EAST BLVD, NEW ALBANY, IN 47150  
PHONE: 812.944.6733 FAX: 812.948.5047  
e-Mail: [INFO@SAMTEC.COM](mailto:INFO@SAMTEC.COM) CODE: 55322

DESCRIPTION:  
SMA STRAIGHT, THROUGH HOLE JACK- 50 OHM

DWG. NO. **SMA-J-P-X-ST-TH1**

BY: D PURVIS 1/21/2005 SHEET 1 OF 1